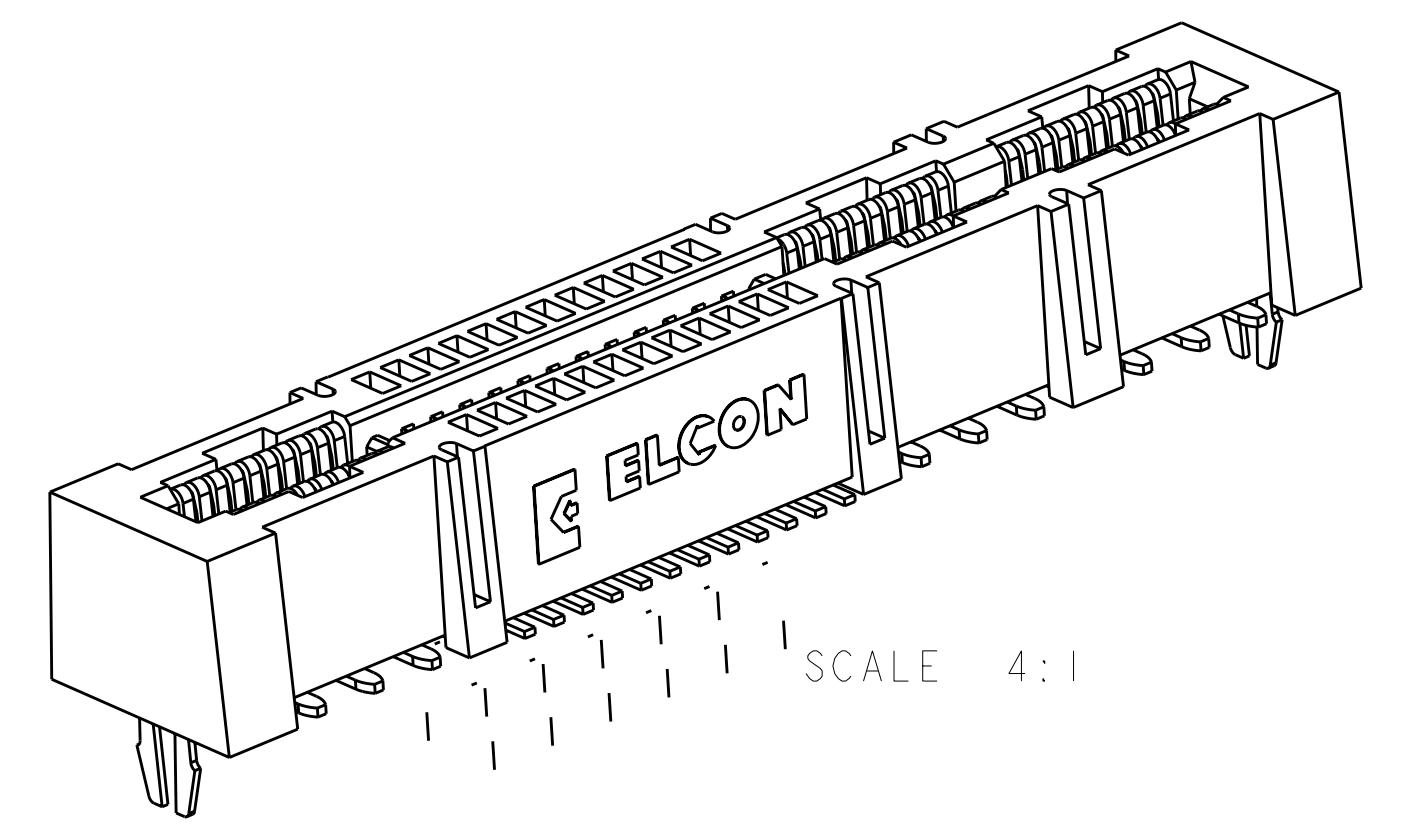
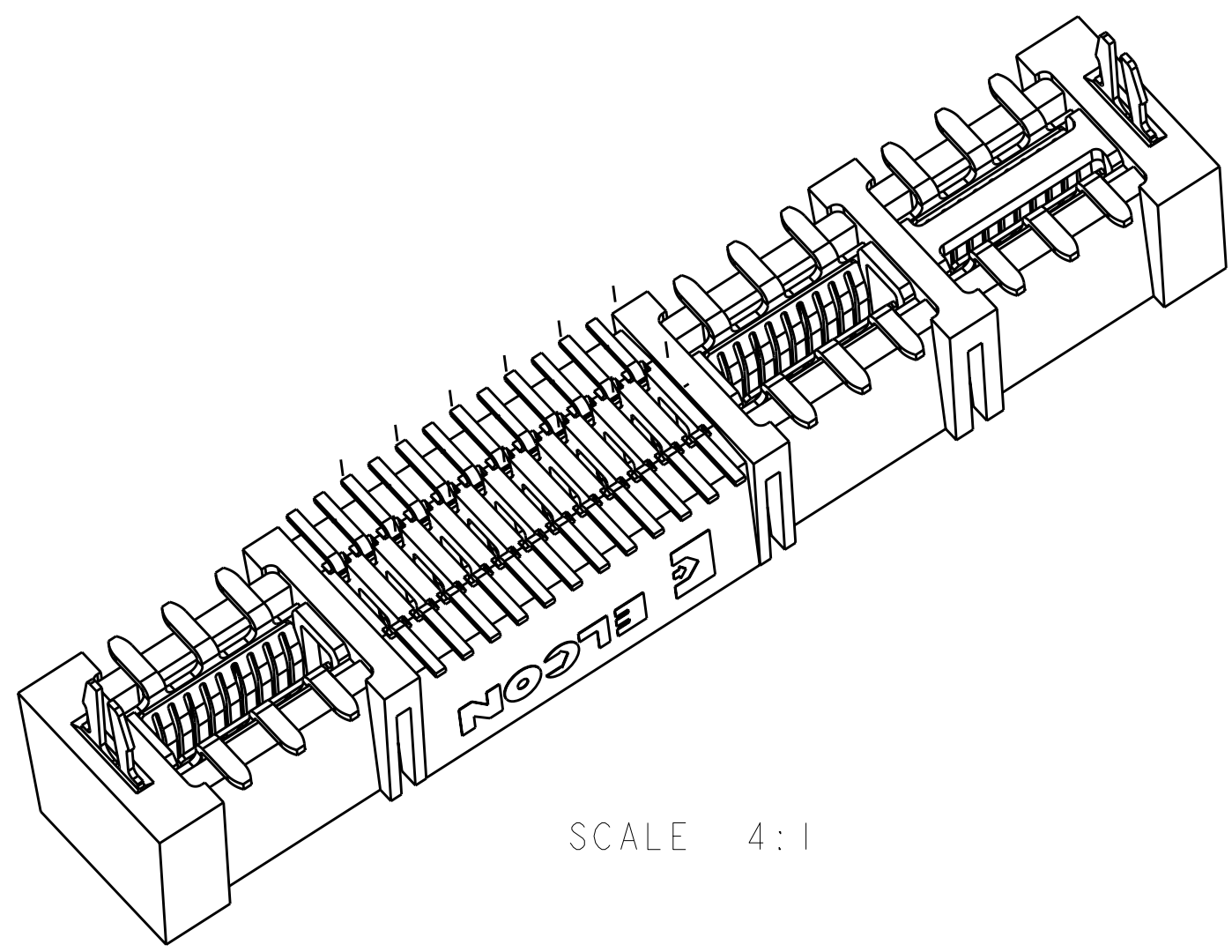
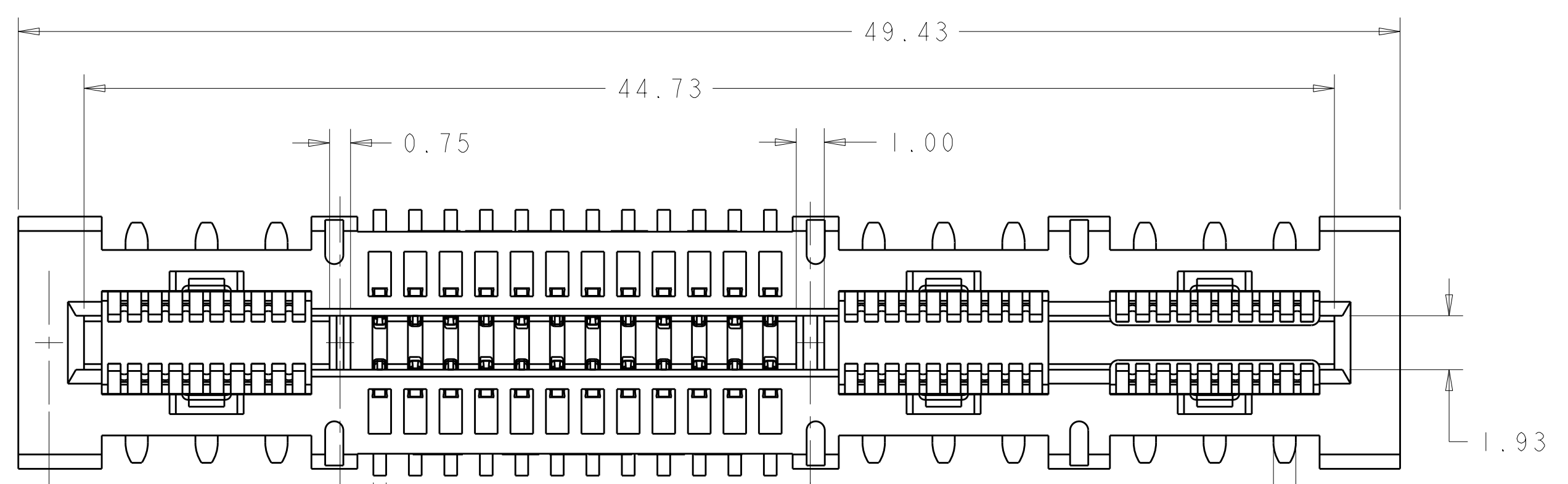


LOC	DIST	REVISIONS			
GP	00	REV	DATE	BY	APPD
		A	20AUG2009	RG	RL



1. PART NUMBER CHANGES AND OR DESIGN CHANGES AFFECTING ITEM INTERCHANGEABILITY REQUIRE PRIOR TYCO ELECTRONICS APPROVAL AND AUTHORIZATION BY REVISION TO THIS DRAWING.

2. MATERIAL:  
 INSULATOR - THERMOPLASTIC, GLASS REINFORCED UL94V-0  
 COLOR: BLACK, FLAMMABILITY RATED  
 CONTACTS - COPPER ALLOY

3. FINISH:  
 POWER CONTACT - SELECTIVE GOLD PLATE 0.76µm MIN THK. OVER NICKEL 1.27µm MIN THK.  
 SMT TAILS - TIN PLATE 3.05µm MIN. THK. OVER NICKEL 1.27µm MIN. THK.

SIGNAL CONTACT - SLECTIVE GOLD PLATE 0.76µm MIN THK. OVER NICKEL 1.27µm MIN THK.  
 SMT TAILS - MATTE TIN PLATE 3.81µm MIN THK. OVER NICKEL 1.27µm MIN THK.

4. A REFERENCE DIMENSION (X.XX) IS WITHOUT TOLERANCE AND USED FOR INFORMATION PURPOSE ONLY.

5. ITEMS PROVIDED TO THIS SPECIFICATION TO BE PERMANENTLY IDENTIFIED PER THE FOLLOWING IDENTIFIER:

TYCO ELECTRONICS P/N      YEAR      WEEK  
 XXXXXXX-X      DATE CODE (e.g. 0525)      XXXX

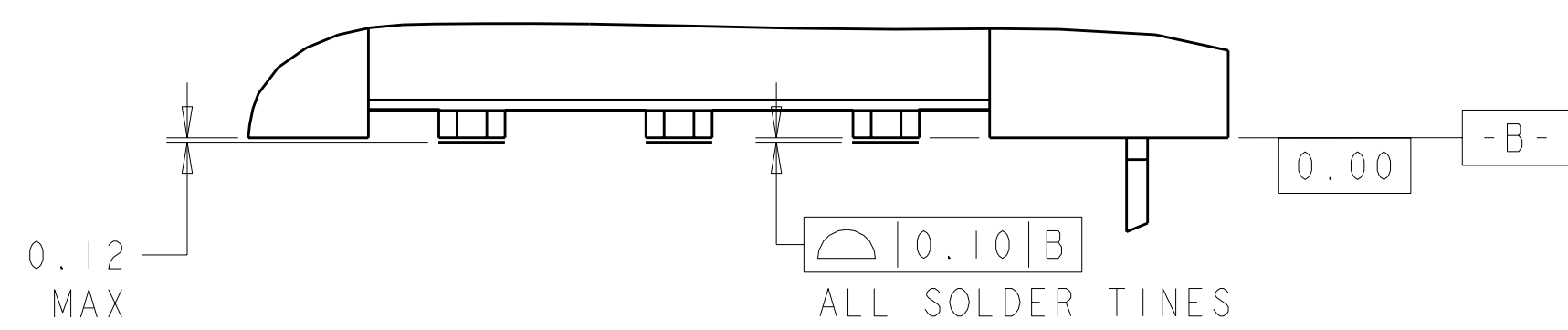
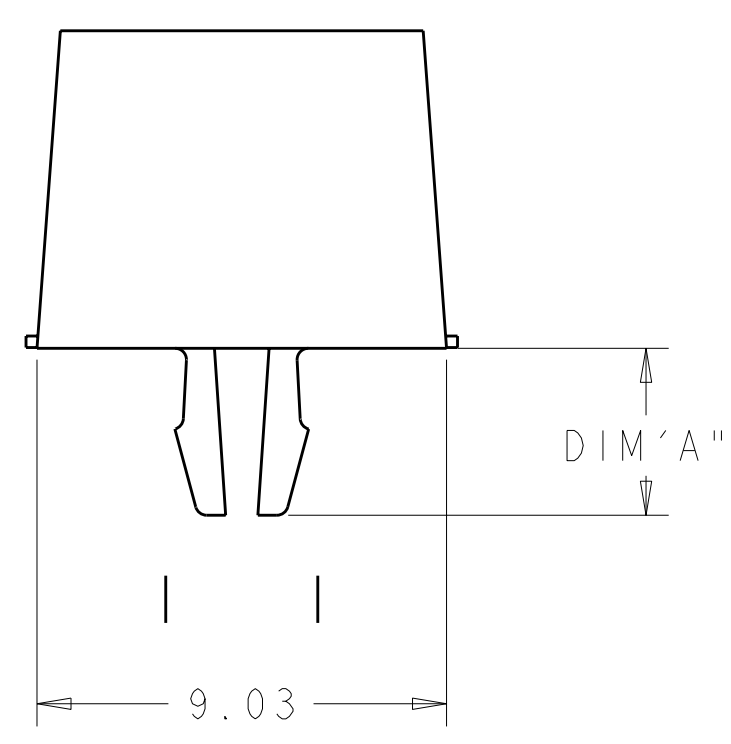
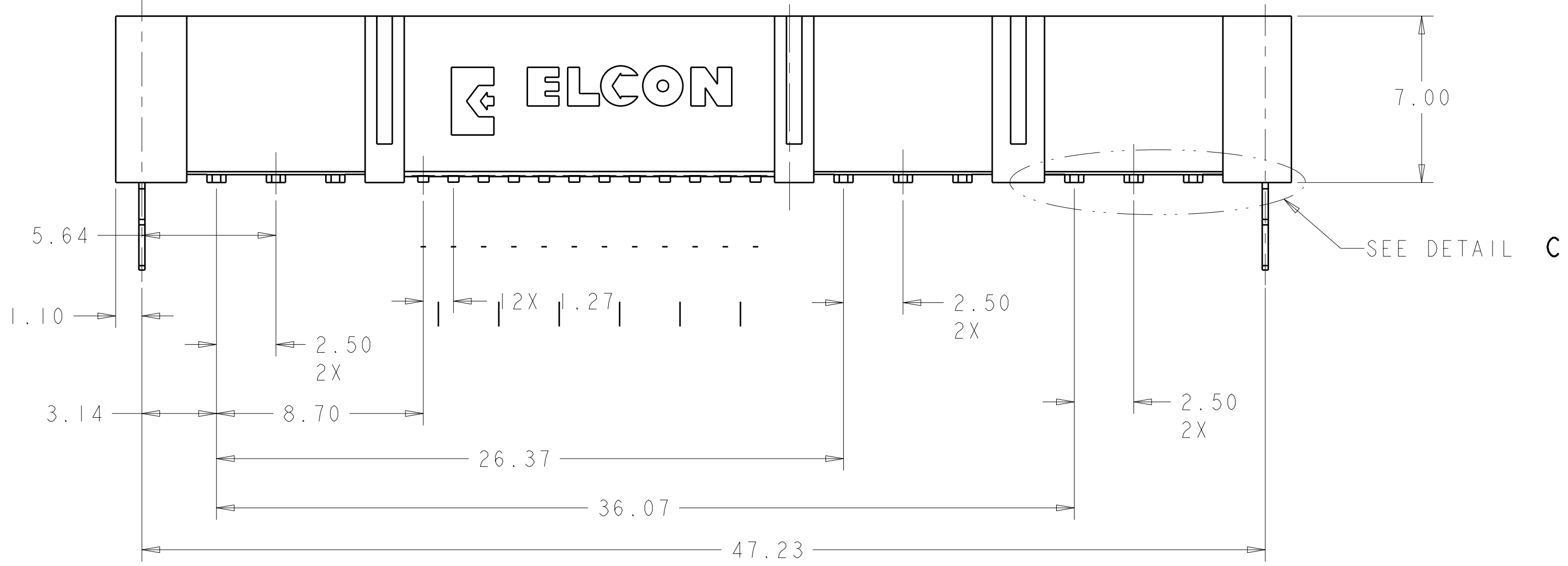
6. DATUMS AND BASIC DIMENSIONS ESTABLISHED BY CUSTOMER.

7. MAXIMUM BURR OF 0.013 ON CARD TAB AREA.

8. CONNECTOR ACCEPTS 1.57±0.13 THK. PC BOARD.

9. KEEP OUT AREA FOR COMPONENTS ONLY.

10. RECOMMENDED GOLD FINGER LENGTH FOR RELIABLE CONTACT.



DETAIL C  
 SCALE 12:1

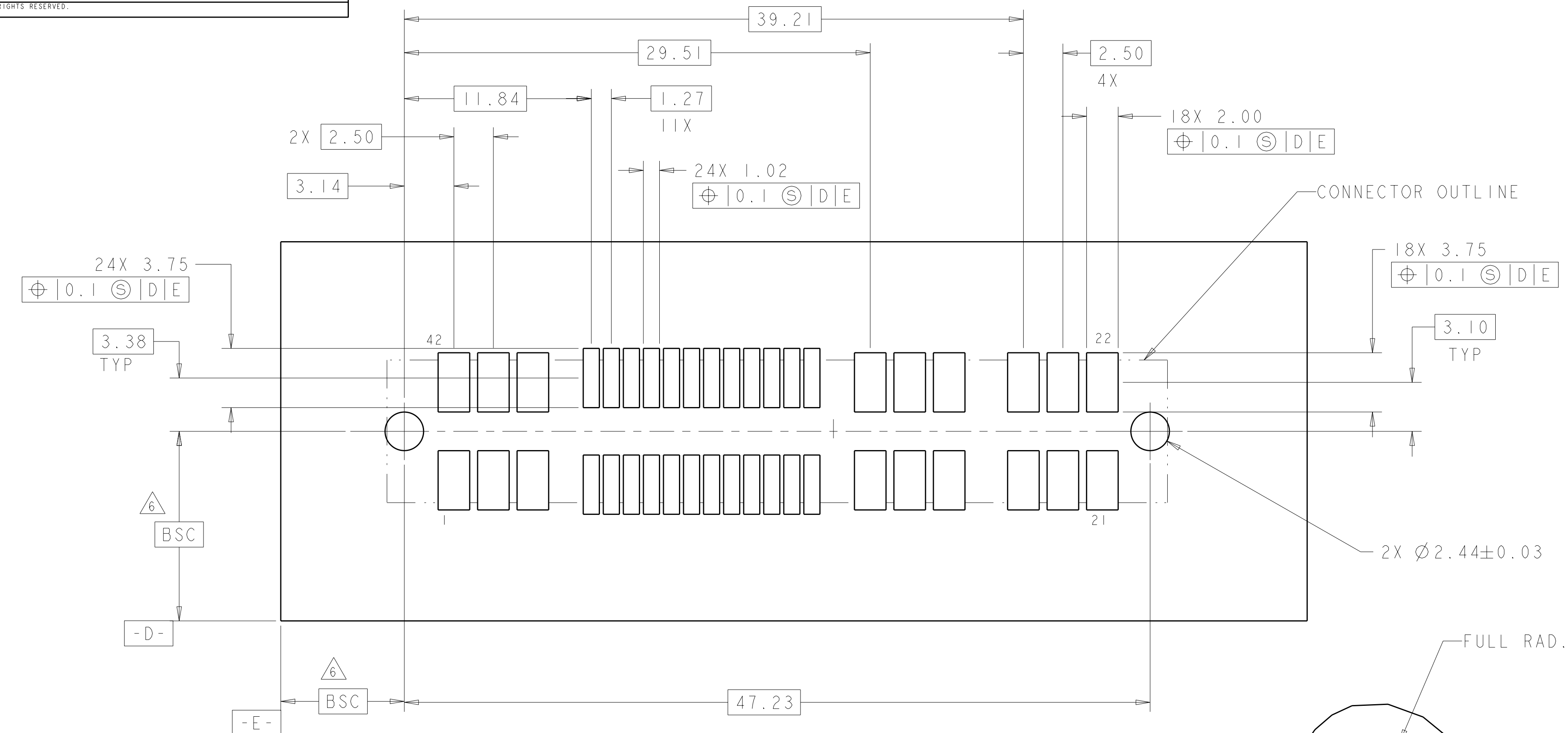
	5.24	2.92 - 3.55	1926819-8
GF30	4.61	2.29 - 2.92	1926819-7
	4.19	1.57 - 2.29	1926819-6
	3.68	≤ 1.57	1926819-5
GF45	5.24	2.92 - 3.55	1926819-4
	4.61	2.29 - 2.92	1926819-3
	4.19	1.57 - 2.29	1926819-2
	3.68	≤ 1.57	1926819-1
MATERIAL	DIM "A"		BOARD THICKNESS RANGE
			PART NO.

DIMENSIONS: mm TOLERANCES UNLESS OTHERWISE SPECIFIED: 0 PLC ±.25 1 PLC ±.25 2 PLC ±.25 3 PLC ±.25 4 PLC ±.25 ANGLES ±.3		DWN: R. GRZYBOWSKI 16APR2008 CHK: P. DAMATO 16APR2008 APVD: S. CLICKINGER 16APR2008 PRODUCT SPEC: HOUSING, SOCKET, 3 POWER, 24 SIGNAL NO LATCH, MINI CROWN EDGE APPLICATION SPEC: - WEIGHT: - CUSTOMER DRAWING: -		Tyco Electronics Harrisburg, PA 17105-3608 NAME: HOUSING, SOCKET, 3 POWER, 24 SIGNAL NO LATCH, MINI CROWN EDGE SIZE: A   00779   C=1926819 SCALE: 8:1 SHEET 1 OF 2 REV A	
--	--	---	--	--	--

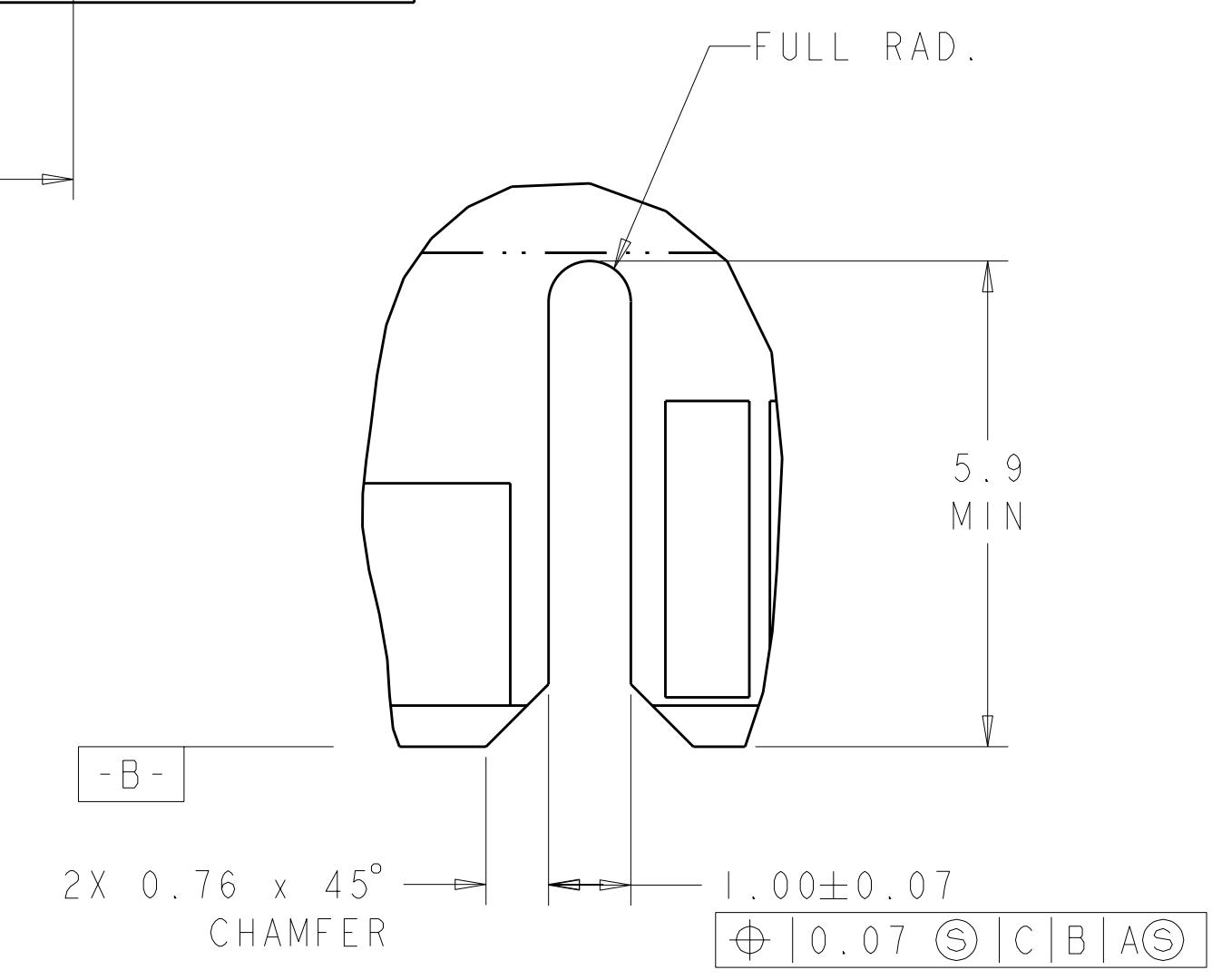
LOC	DIST	REV	DATE	BY	APPD
GP	00				

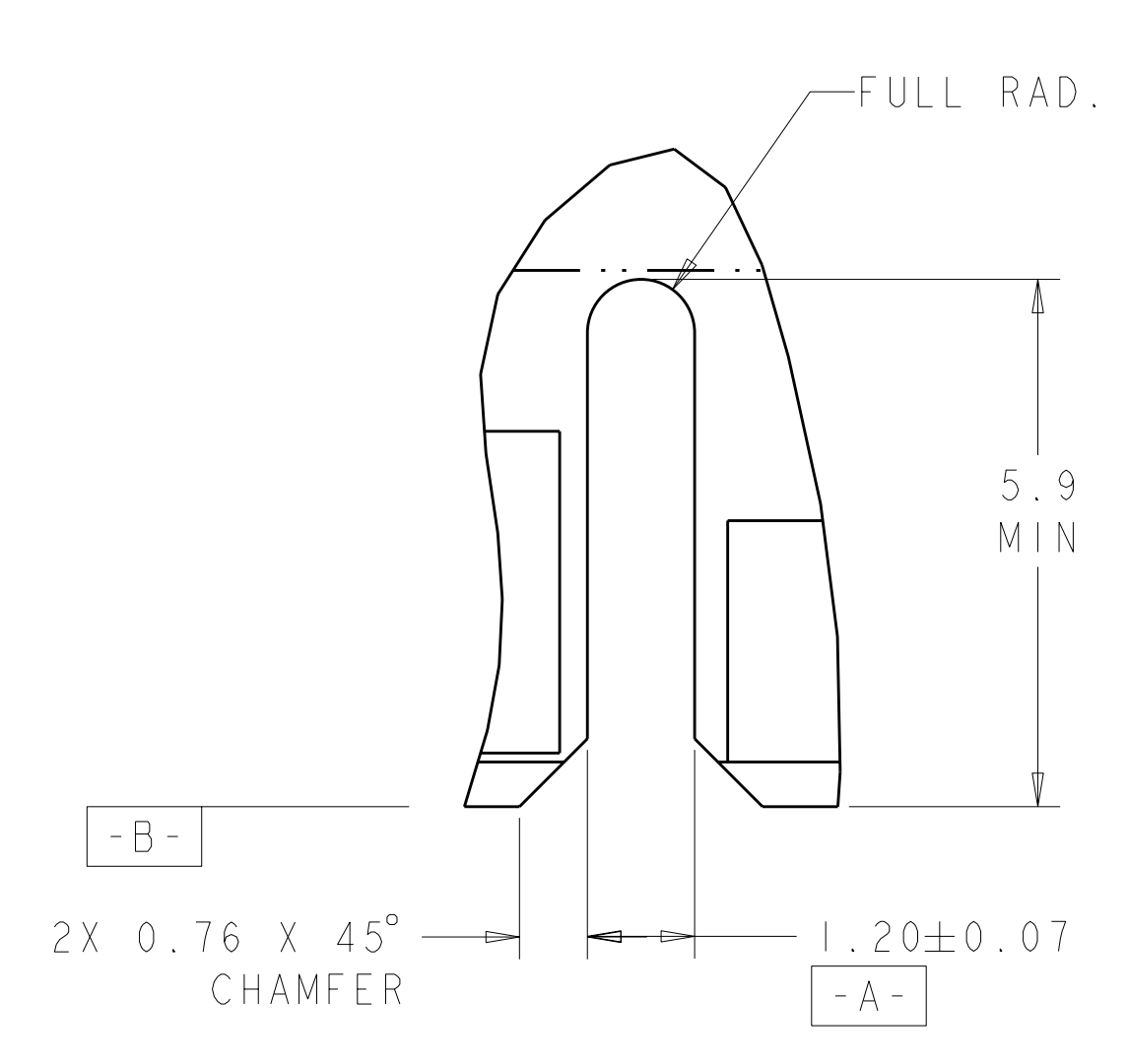
REVISONS		DATE	BY	APPD
1	SEE SHEET 1			



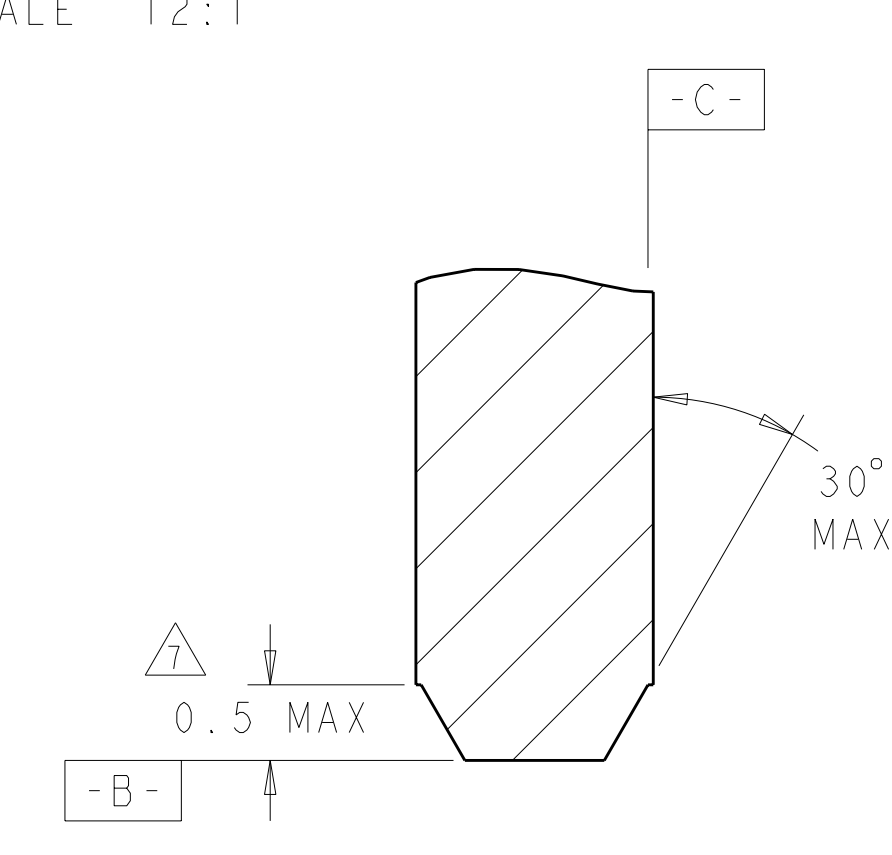
**RECOMMENDED SOLDER LAND LAYOUT**  
 AS VIEWED FROM CONNECTOR SIDE



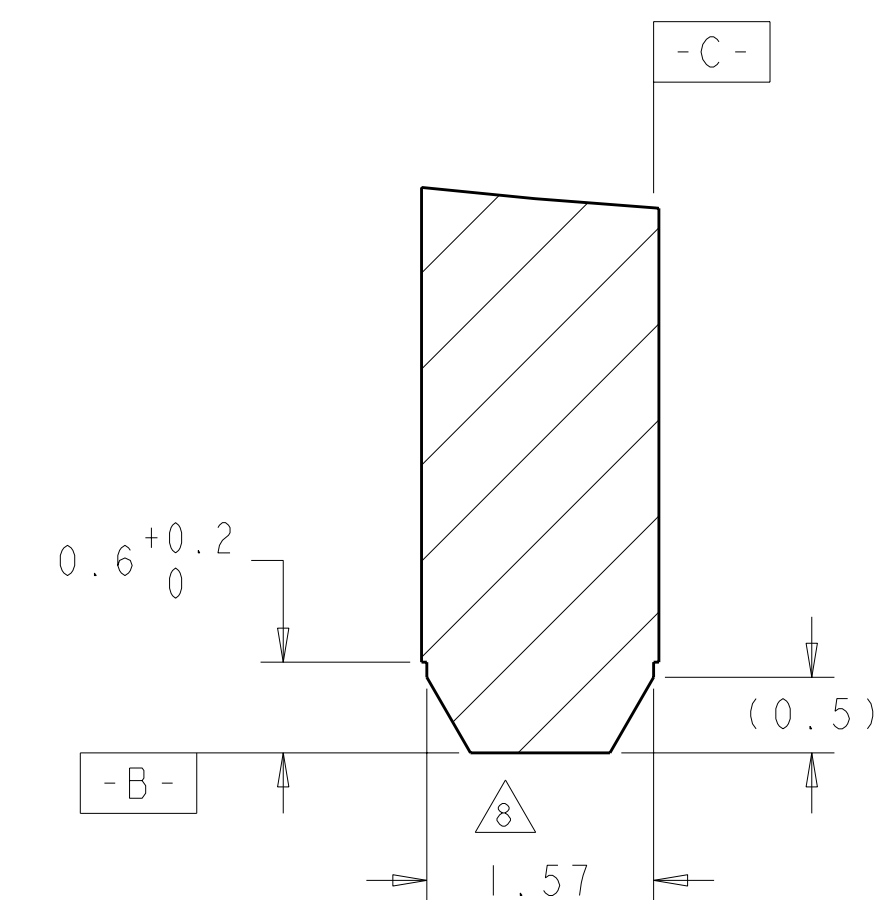
DETAIL S  
 SCALE 12:1



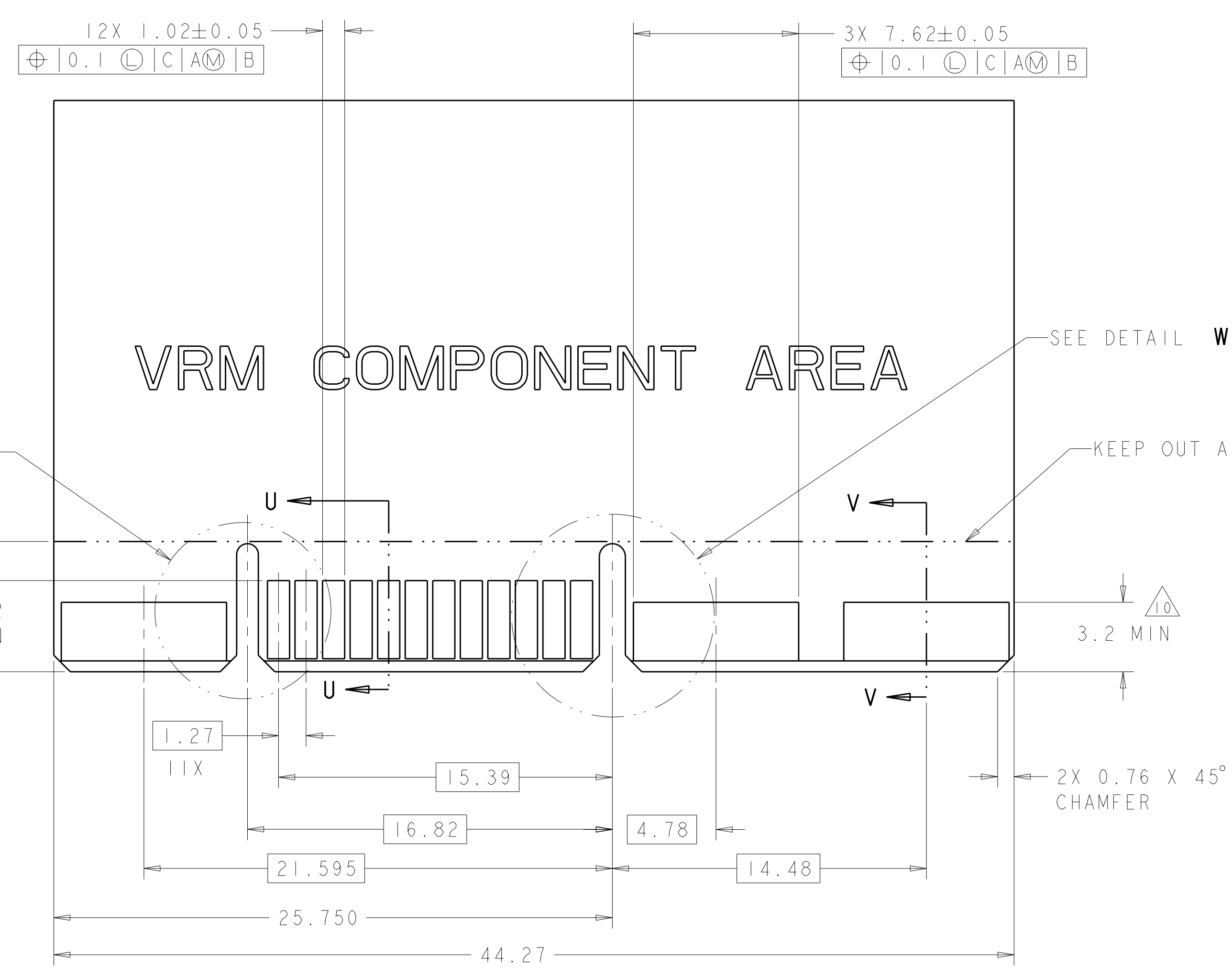
DETAIL W  
 SCALE 12:1



SECTION V-V  
 SCALE 20:1



SECTION U-U  
 SCALE 20:1



**RECOMMENDED MATING BOARD**  
 SCALE 6:1

**VRM COMPONENT AREA**

DESIGN APPROVED THIS PRINT IS  
**PRELIMINARY**  
 TO FIRST PIECE APPROVAL  
 CONTACT PRODUCT ENGINEERING  
 BEFORE USING THIS PRINT

DIMENSIONS: mm 		TOLERANCES UNLESS OTHERWISE SPECIFIED: 9 PLC ±.25 1 PLC ±.08 5 PLC ±.08 4 PLC ±. ANGLES ±.3		DWN R. GRZYBOWSKI 16APR2008 CHK P. DAMATO 16APR2008 APVD S. FLICKINGER 16APR2008		Tyco Electronics Harrisburg, PA 17105-3608	
MATERIAL: - FINISH: -		WEIGHT: - CUSTOMER DRAWING: -		NAME: HOUSING, SOCKET, 3 POWER, 24 SIGNAL NO LATCH, MINI CROWN EDGE PRODUCT SPEC: - APPLICATION SPEC: -		SIZE: A100779 CAGE CODE: C=1926819 DRAWING NO: - RESTRICTED TO: -	
SCALE: 8:1				SHEET: 2 OF 2		REV: A	

# Mouser Electronics

Authorized Distributor

Click to View Pricing, Inventory, Delivery & Lifecycle Information:

[TE Connectivity:](#)

[1926819-6](#)