

# Model 1A0260-3

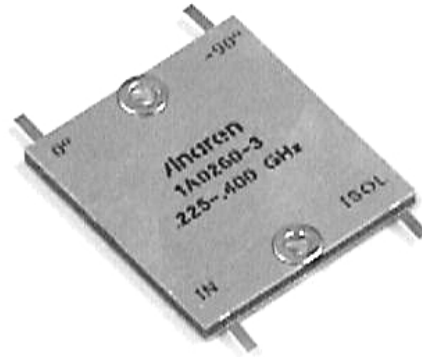
# Anaren

## Hybrid Couplers

### 3 dB, 90°

### Applications

- Microstrip Circuits
- Divider/Combiners
- Switch Networks
- Balanced Detectors
- Antenna Feeds



### Features

- Welded Tab Mount
- 2-Way Power Split
- Reliable Performance
- Handles 250 Watts

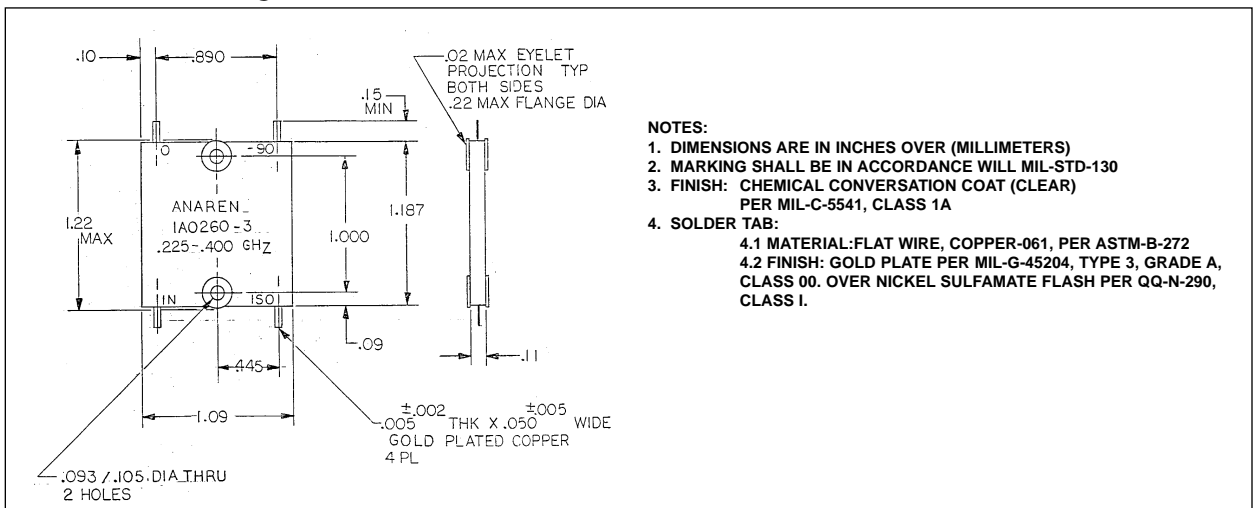
### Electrical Specifications

Frequency MHz	Isolation dB Min/Typ	Insert. Loss dB Max	VSWR Max : 1
225 - 400	20/25	0.30	1.20/1.10
Amp. Bal. dB Max	Phase Bal. Degrees Max	Power Ave. CW Watts	
±0.50	±2.0	250	

**Notes:** Electrical specifications apply only with properly designed test fixtures. Testing is done at ambient temperature only. Sample testing is performed to MIL-STD-105, Level 2, AQL 1.0. Test includes coupling, amplitude balance, insertion loss and isolation. If your application requires additional testing, consult Anaren Power rating applies when solder tab/coupler interface has been conformally coated. Impedance: 50 ohms. Meets MIL-E-5400 Class 3 requirements. Additional screening available for military and space applications.

**Electrical and Mechanical Specifications subject to change without notice.**

### Outline Drawing



# Mouser Electronics

Authorized Distributor

Click to View Pricing, Inventory, Delivery & Lifecycle Information:

[Anaren:](#)

[1A0260-3](#)