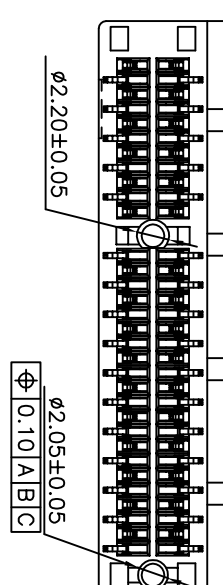
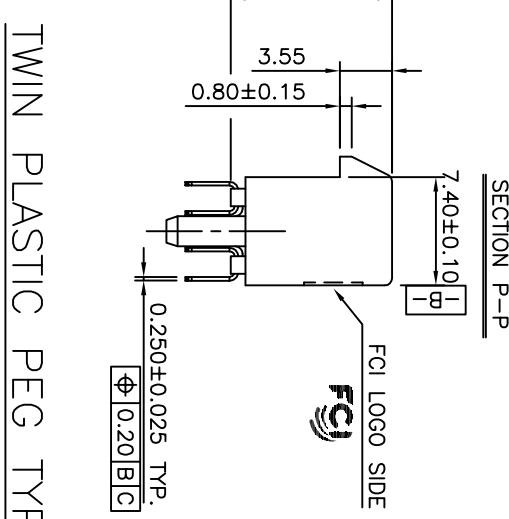
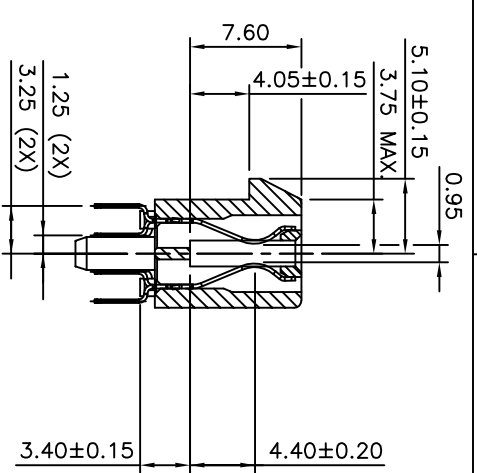
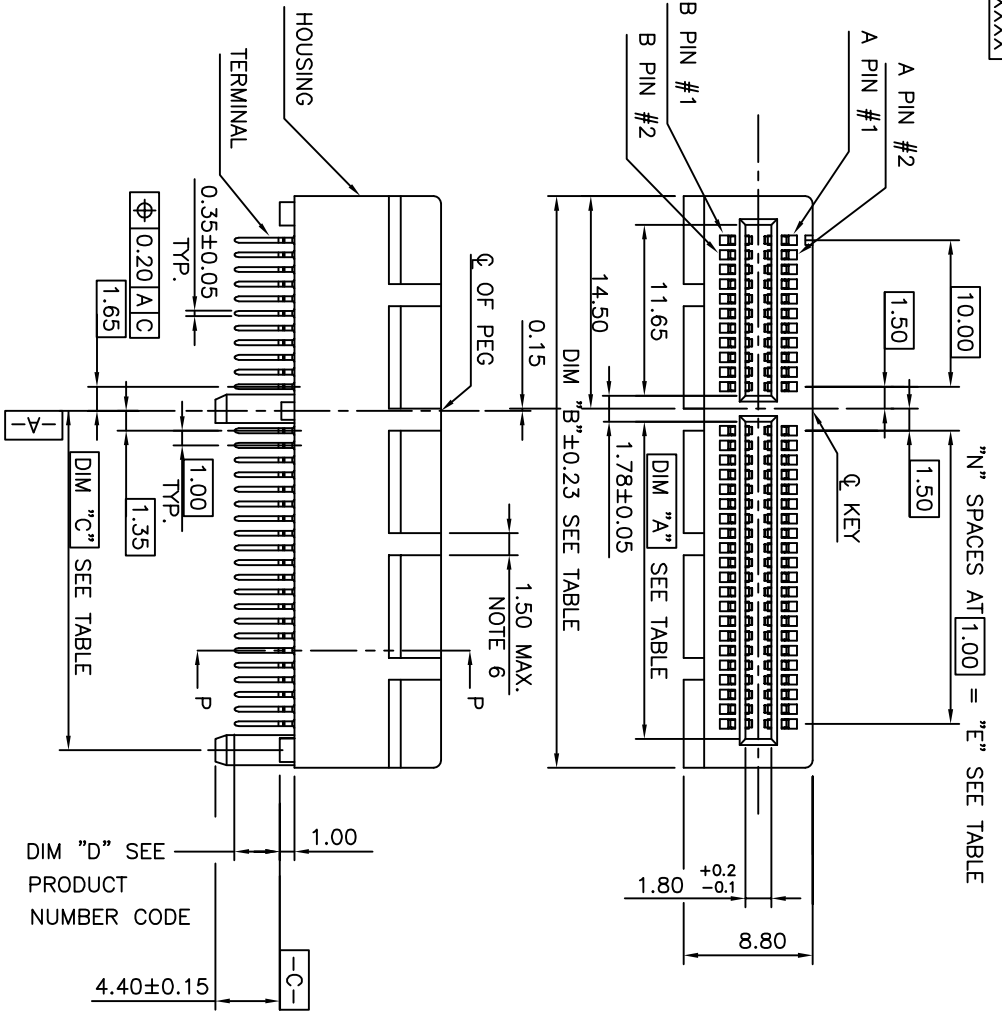
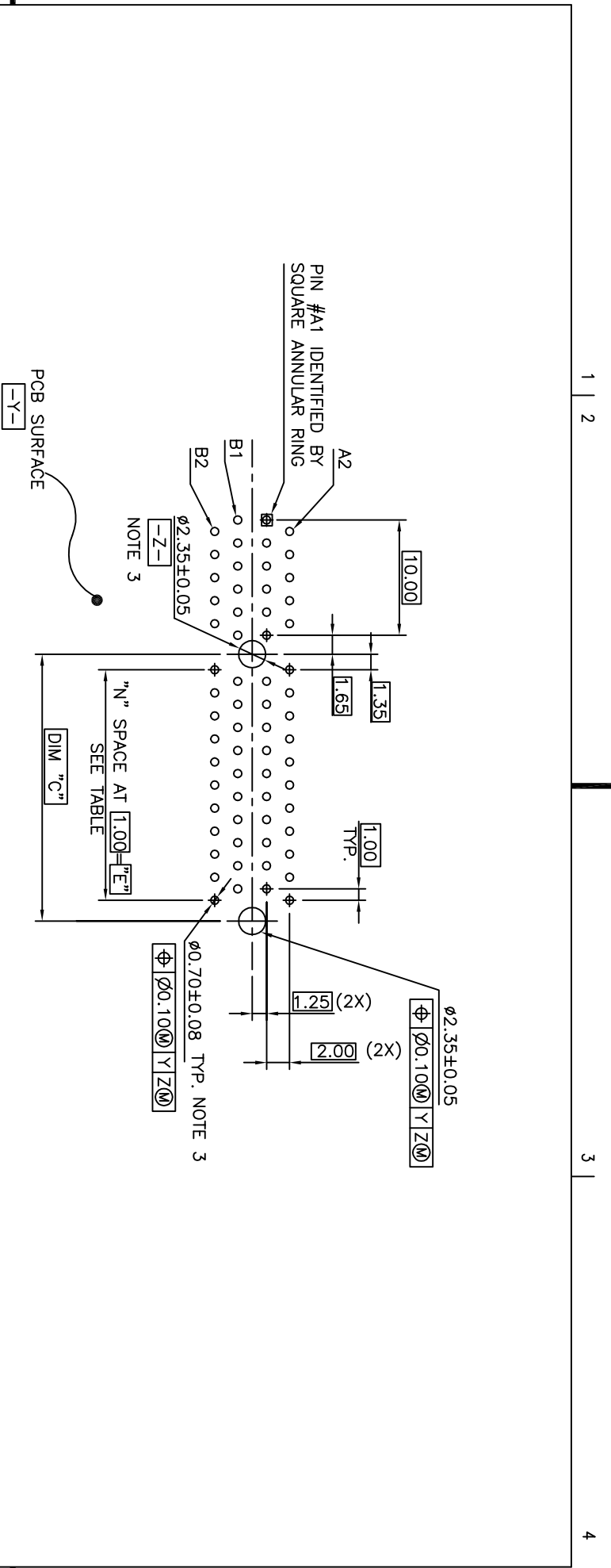


PRODUCT NO.
10108777-XXXXXX



mat'l. code		tolerances unless otherwise specified		CUSTOMER COPY		title	
ltr	ech. no	dr	date	linear	projection	product family	PCI EXPRESS CARD EDGE ASSY
A	T09-1162	J H	10/29/09	.XX ± 0.20	MM	EDGE CARD	code
B	T-004920	J H	6/8/11	.XXX ± 0.10		EDGE CARD	TWIN
C	D6-011582	HT	5/10/12	0° ±2°		EDGE CARD	sheet
D	ELX-D6-013208	WL	07/24/12			EDGE CARD	1 of 7
engr. JASON HSU		10/29/09		scale 2:1		product family	
chr. GARY HSIEH		10/29/09		sheet		10108777	
appr. JOSEPH HSIA		10/29/09		cage code		1 of 7	

ACAD

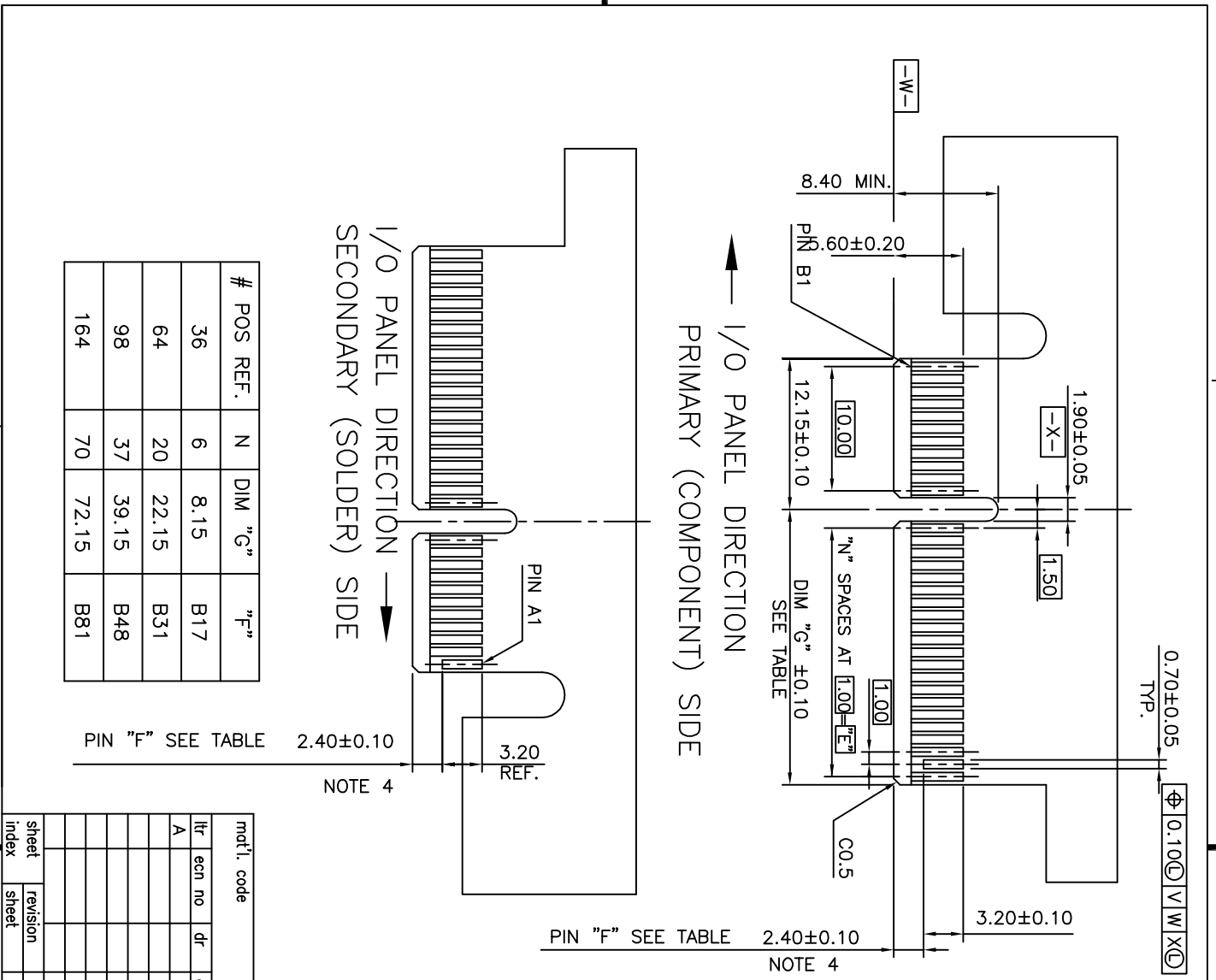


← I/O PANEL DIRECTION

RECOMMENDED FOOTPRINT

mat'l. code		tolerances unless otherwise specified		CUSTOMER COPY		FCI		www.fciconnect.com	
itr	ecn no	dr	date	lineor	projection	title	product family	EDGE CARD	code
A				.XXX ±	MM	PCI EXPRESS CARD EDGE ASS'Y	EDGE CARD	TWN	
				0° ±2°	2:1		10108777	4 of	
				dr JASON HSU 10/29/09					
				engr JASON HSU 10/29/09					
				chr GARY HSIEN 10/29/09					
				qppd JOSEPH HSIA 10/29/09					
sheet	revision								
index	sheet								

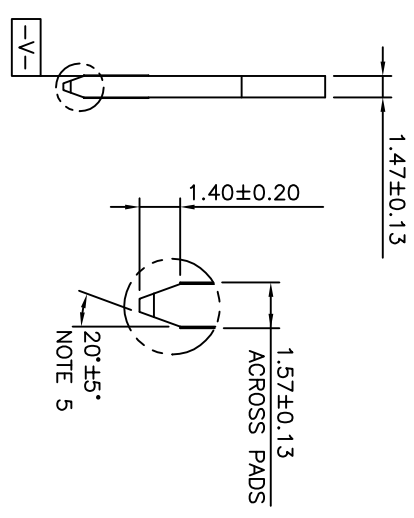
ACAD



# POS REF.	N	DIM "G"	"F"
36	6	8.15	B17
64	20	22.15	B31
98	37	39.15	B48
164	70	72.15	B81

PIN "F" SEE TABLE 2.40±0.10

PIN "F" SEE TABLE 2.40±0.10 NOTE 4



SCALE 2:1

I/O PANEL DIRECTION
SECONDARY (SOLDER) SIDE

I/O PANEL DIRECTION
PRIMARY (COMPONENT) SIDE

ADD-IN CARD EDGE-FINGER DIMENSIONS

mat'l. code	tolerances unless otherwise specified	CUSTOMER COPY	title
itr	.X ±	projection	PCI EXPRESS CARD EDGE ASS'Y
ecn no.	.XX ±	MM	EDGE CARD
dr	.XXX ±	scale	product family
date	0° ±2°	2:1	EDGE CARD
lineor			code
angles			TWN
dr JASON HSU			sheet
enfr JASON HSU			5 of
chr GARY HSIEH			
qppd JOSEPH HSIA			

ACAD

code code

sheet

of

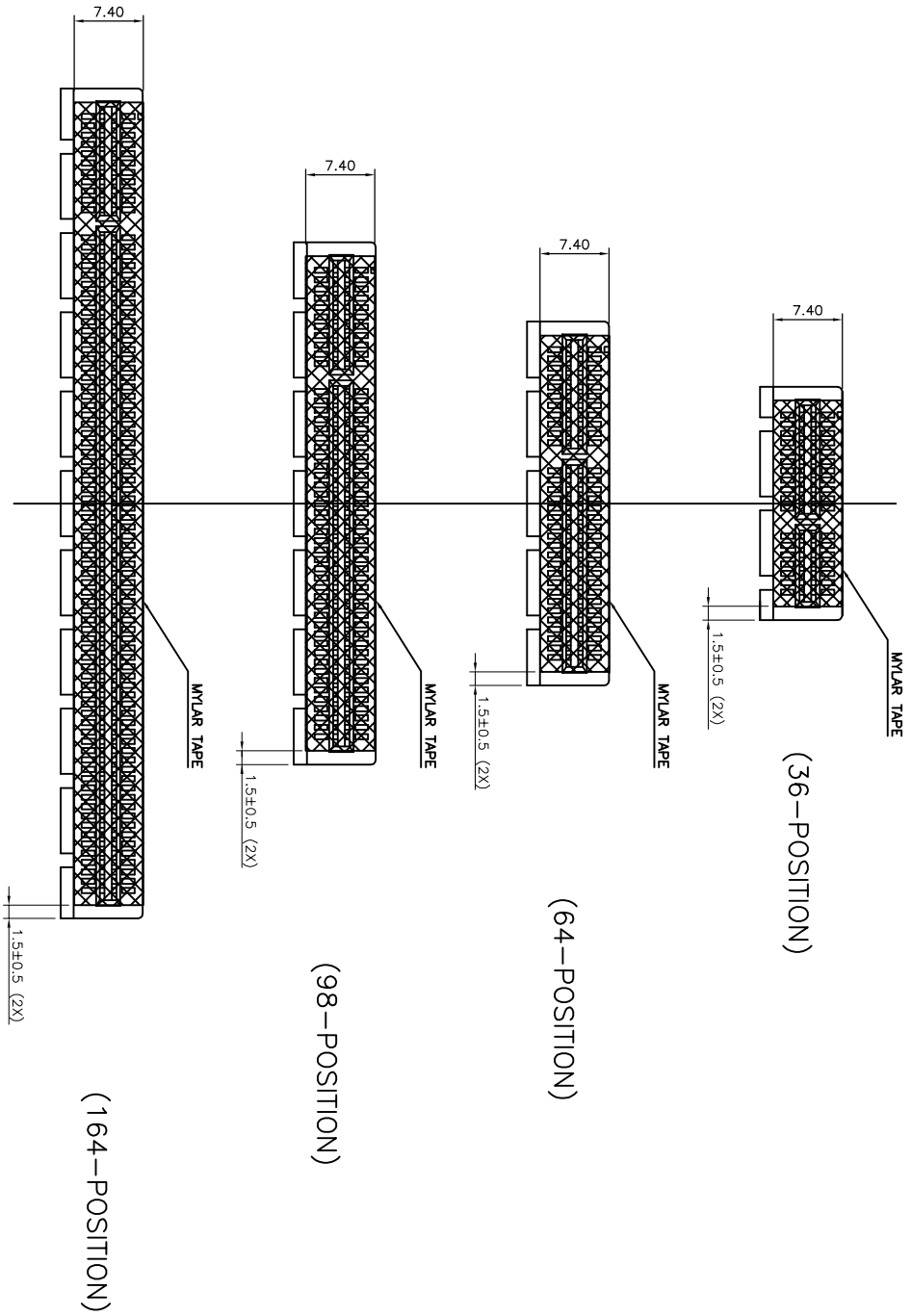


FIGURE 1

mat'l. code		tolerances unless otherwise specified		CUSTOMER COPY		FCI		www.fciconnect.com	
itr	ecn no	dr	date	lineor	.XX ± 0.13	projection	title	product family	EDGE CARD
A				angles	.XXX ± 0.05	MM	PCI EXPRESS CARD EDGE ASS'Y	code	TWN
				dr	0° ± 2°	1.5:1	product size	dwg no	10108777
				engr	JASON HSU	10/29/09	code	sheet	7 of
				chr	GARY HSIEH	10/29/09			
				qppd	JOSEPH HSIA	10/29/09			
sheet	revision								
Index	sheet								

ACAD

Mouser Electronics

Authorized Distributor

Click to View Pricing, Inventory, Delivery & Lifecycle Information:

FCI:

[10108777-00002MLF](#) [10108777-11110TLF](#)