

CHAMP 0.8mm Centerline Printed Circuit Board Connectors

Base Part Number 796055-x

Standard Receptacle, Right Angle

Material and Finish

Housing and Pin Spacer — UL 94V-0 rated thermoplastic, black, SMT compatible

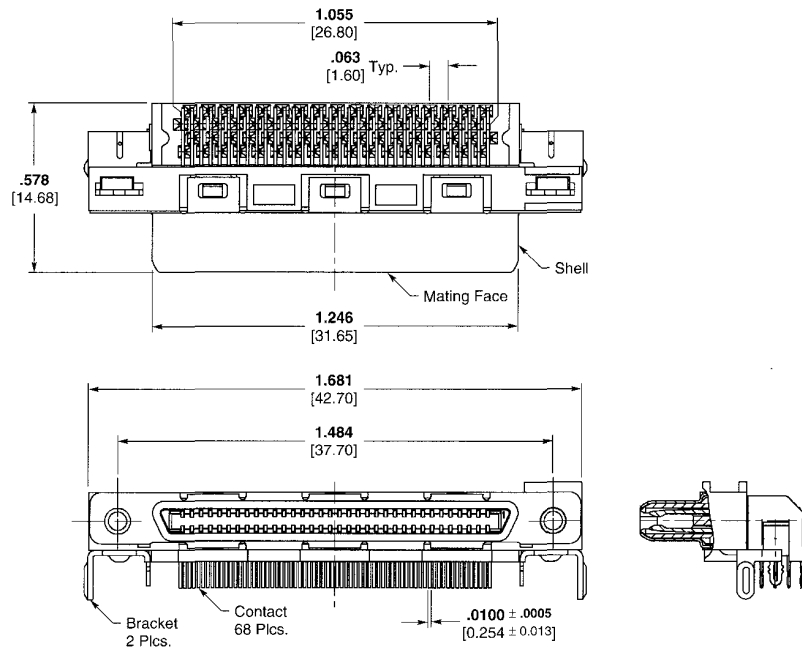
Inserts — UL 94V-0 rated thermoplastic, natural, SMT compatible

Shell — Steel, plated .000197 [0.00500] min. bright tin over .000098 [0.00250] min. copper

Contacts — Phosphor bronze, duplex plated .000003 [0.000076] min. gold over .000029 [0.00076] min. palladium nickel on mating end, .000148 [0.00375] min. bright tin-lead on solder end, all over .000050 [0.00127] min. nickel under plating

Boardlocks — Brass, plated .000148 [0.00375] min. bright tin-lead over .000050 [0.00127] min. nickel

Durability — 500 insertion cycles



Product Facts

- EMI shielded high density and low profile I/O system
- Precision insert molded contacts on 0.8mm centerlines offer 30% linear PC board space savings
- Low profile right angle PC connector, 5.0mm high — a 50% reduction in height
- Contact tips recessed for ESD and damage protection
- Contacts are insulation displacement (IDC) and can be quickly terminated by the CHAMPOMATOR 2.5 Semi-Automatic Termination Machine
- Metal-shell backshell kits feature integral cable braid termination

Part Number	No. of Pos.	Mount Type	Mount Style	Style	Description/Finish	Mating Part
787973-1	36	Thru-Hole	Solder	Single	30µ" Au & Sn	787131-2
1658751-1	50	Thru-Hole	Solder	Single	30µ" Au & Sn	786930-1 (Kit 787131-1)
796055-1	68	Thru-Hole	Solder	Single	30µ" Au & Sn	787131-3 or Offset 787979-1, 787775-1, 787801-1
787254-1	68	Thru Hole	Solder	Single	3µ Au/30µ" Pb & Sn. 4.70 (.185) posts	787775-1
787254-2	68	Thru Hole	Solder	Single	3µ Au/30µ" Pb & Sn. 4.70 (.185) posts	787775-1
787254-3	68	Thru Hole	Solder	Single	3µ Au/30µ" Pb & Sn. 3.75 (.148) posts	787775-1
787254-4	68	Thru Hole	Solder	Single	3µ Au/30µ" Pb & Sn. 4.70 (.185) posts	787775-1
796055-1	68	Thru-Hole	Solder	Single	30µ" Au & Sn	786930-3
796055-2	68	Thru-Hole	Solder	Single	30µ" Au & Sn	786930-3
1364973-2	68	Thru-Hole	Solder	Single	30µ" Au & Sn	787254-1 w/ pre-installed screwlocks