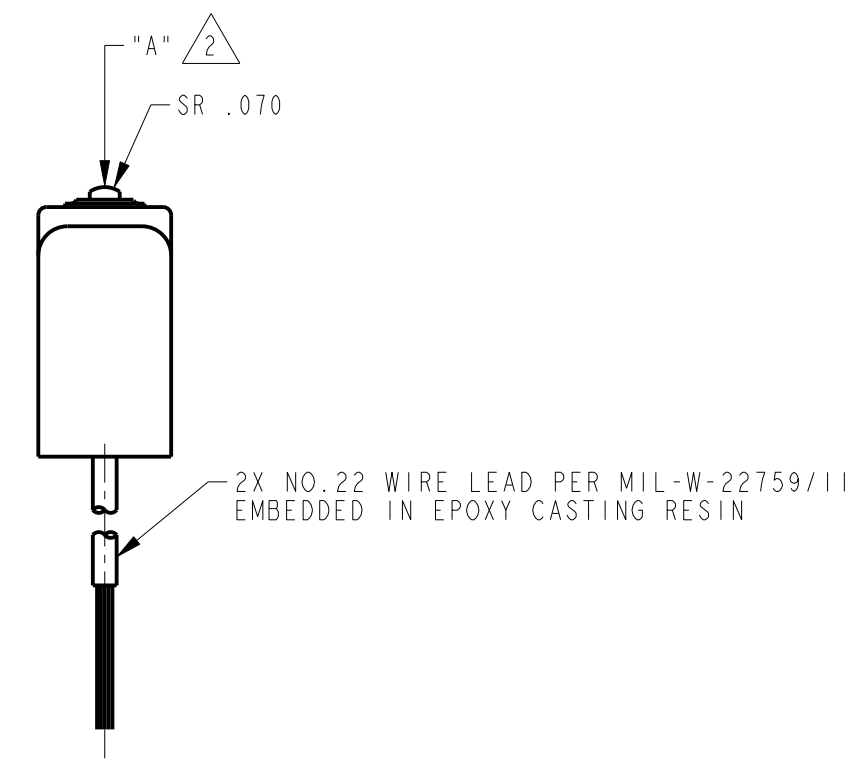
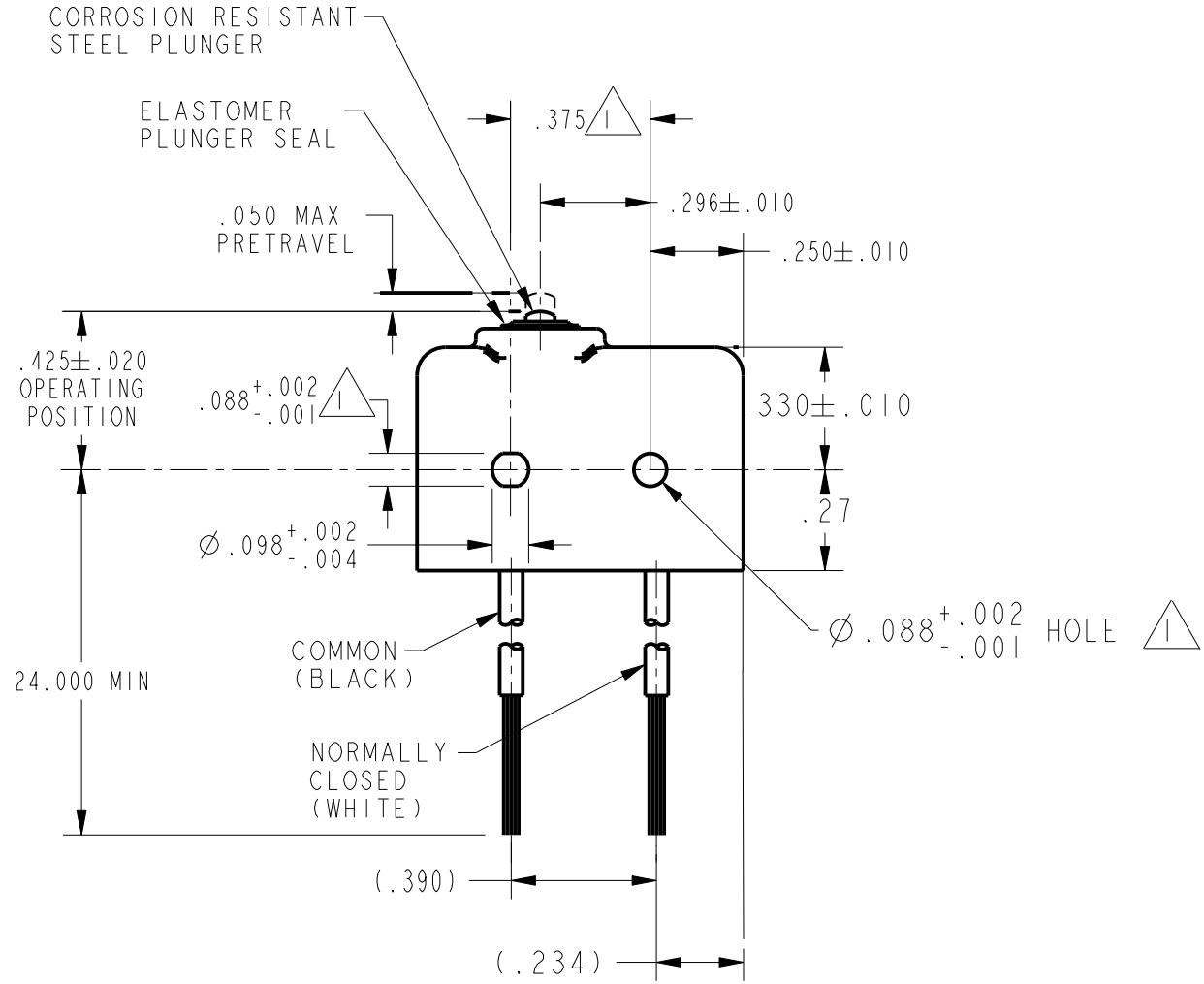
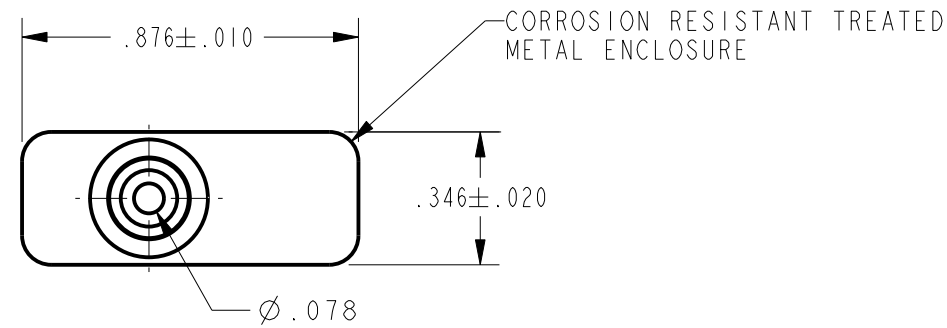


HONEYWELL
PART NUMBER
ISE4-2

REV	DOCUMENT	CHANGED BY	CHECK
A	0014875	KRB 05AUG05	RJ



- NOTES
- 1 MOUNTING HOLES WILL ACCEPT Ø087 MAX PINS OR SCREWS ON .375±.002 CENTERS
 - 2 ACTUATION IN LINE WITH ARROW "A" IS RECOMMENDED
 - 3 WEIGHT OF SWITCH ONLY IS .26 OZ MAX. WEIGHT OF SWITCH WITH WIRE LEADS IS 1.00 OZ MAX

CHARACTERISTICS	ELECTRICAL DATA
OPERATING FORCE-----5-17 OZ	CONTACT ARRANGEMENT S P N C
RELEASE FORCE-----4 OZ MIN	250 VAC-----5 AMP
RELEASE TRAVEL-----.004 MIN	30 VOLTS DC RATING
DIFFERENTIAL TRAVEL-----.004 MAX	INDUCTIVE-----SEA LEVEL-----3 AMP 50,000 FT-----2.5 AMP
OVERTRAVEL-----.003 MIN	RESISTIVE-----SEA LEVEL-----5 AMP 50,000 FT-----5 AMP
	MAXIMUM INRUSH-----24 AMP

DESIGN UNITS: INCH
TOLERANCES UNLESS NOTED:
NO PLACE X ± 0
ONE PLACE .X ± 0.0
TWO PLACE .XX ± 0.01
THREE PLACE .XXX ± 0.005
FOUR PLACE .XXXX ± 0.0005
ANGLES X ± 3
THIRD ANGLE PROJECTION

DRAWN	LJB	05 APR 05
CHECK	-	-
THIS DRAWING COVERS A PROPRIETARY ITEM AND IS THE PROPERTY OF HONEYWELL. THIS DRAWING IS NOT TO BE COPIED OR USED WITHOUT THE PERMISSION OF HONEYWELL.		
INTERPRET PER ANSI Y14.5M-1982 OTHER HONEYWELL ENGINEERING STANDARDS MAY APPLY		
Pro/ENGINEER	3D	

Honeywell			
TITLE SWITCH, BASIC			
SIZE	TYPE	DRAWING NAME	REV
B	I	ISE4-2	A
SCALE	-	SHEET	1 OF 1