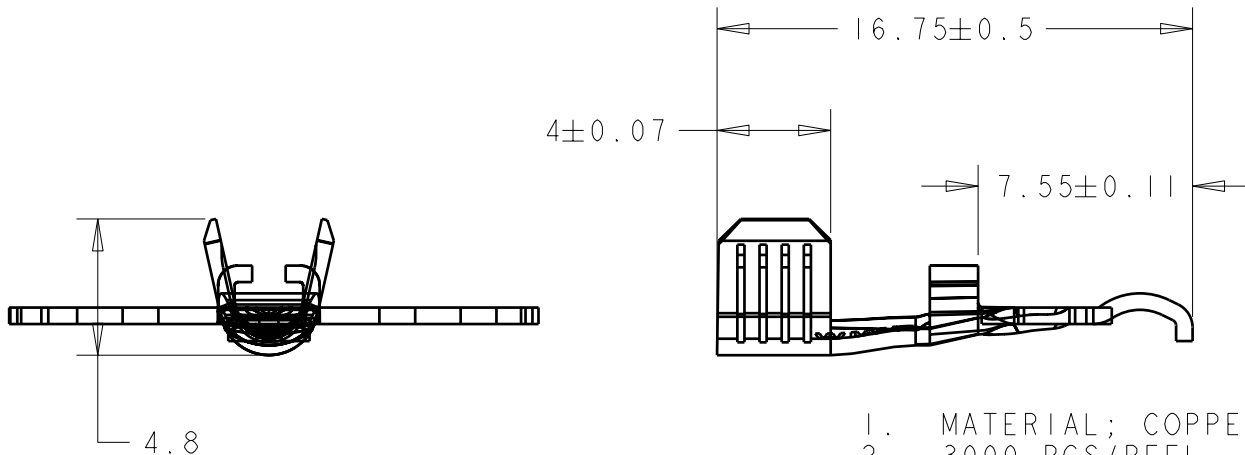
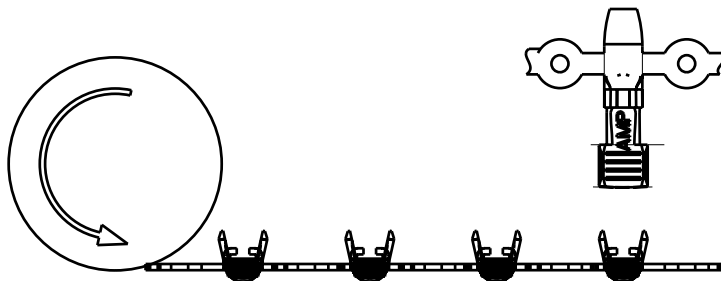


LOC	DIST	REVISIONS					
		P	LTR	DESCRIPTION	DATE	DWN	APVD
CM	0		2	ADDED -2, REVISED NOTE 1	06FEEB03	BH	RW
			3	REVISED, ADDED DIMS AND TESTING NOTE	10-2-03	GD	RW
			A	ECO-08-008100	01APR2008	KW	SR

THIS PRODUCT HAS PASSED VERIFICATION AND AGENCY APPROVALS TESTING AND IS COMPONENT RECOGNIZED PER UL 1977 AND CSA 22.2. TYCO ELECTRONICS PRODUCT QUALIFICATION TESTING IS NOT YET COMPLETE.



1. MATERIAL; COPPER
2. 3000 PCS/REEL



METRIC

TIN	1604112-2
SILVER	1604112-1
FINISH	PART NUMBER

20
RELEASED FOR PUBLICATION

THIS DRAWING IS UNPUBLISHED.

BY TYCO ELECTRONICS CORPORATION. ALL RIGHTS RESERVED.
COPYRIGHT 20

DIMENSIONS: mm	DWN B. HAYMAKER	11APR2002	MATERIAL	FINISH
	CHK K. KETELSLEGER	11APR2002	Tyco Electronics Harrisburg, PA 17105-3608	
TOLERANCES UNLESS OTHERWISE SPECIFIED: 0 PLC ±0.13 1 PLC ±0.13 2 PLC ±0.13 3 PLC ±0.13 4 PLC ± ANGLES ±30'	APVD K. KETELSLEGER	11APR2002	NAME CONTACT, 30 AMP POWER PRODUCT (12-16 AWG)	
	PRODUCT SPEC	-	SIZE	CAGE CODE
APPLICATION SPEC	-	-	DRAWING NO	RESTRICTED TO
WEIGHT	-	-	A 4	00779
CUSTOMER DRAWING			SCALE	4:1
			SHEET	1 OF 1
			REV	A