

This drawing involves proprietary design rights of Tyco Electronics Corporation, and all design, manufacture, reproduction, use and sale rights regarding the same are expressly reserved. It is submitted for a specific purpose and the recipient by accepting this drawing, assumes custody and control and agrees to take reasonable precautions; (a) that this drawing will not be copied and reproduced, in whole or in part, or its contents revealed in any manner, or to any person except to meet the purpose for which it was delivered and (b) that any special features peculiar to this design will not be incorporated in other projects without the expressed written permission of Tyco Electronics Corporation.

REVISIONS

EC	REV	DESCRIPTION	DATE
0S1Q-0313-04	C	INITIAL RELEASE	8/26/04

8. MODULE INFORMATION

CONNECTOR	TYCO PART NUMBER	ELCON PART NUMBER	CATALOG MODULE #	QTY	SIZE NO.	CONTACT QTY	MATING PIN	MAX. CURRENT (PER CONTACT)	CONTACT SPACING	VOLTAGE RATING*
PIN	6651848-1	479-0453-10300C	FP0152	8	8	8	1.25 X 7.00 [.049 X .276]	35 AMPERES	7.50 [L2953]	250 VOLTS
			FP0302	1	22	24	.64 [L025] SQ.	3 AMPERES	2.50 [L0984]	125 VOLTS
			FP0506	2	RIGHT ANGLE GUIDE SOCKET					

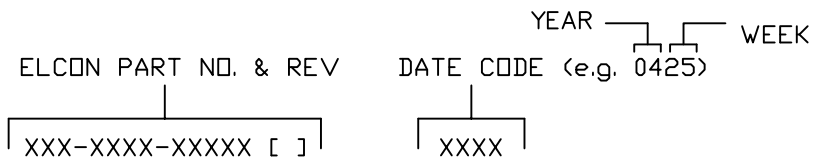
\*IAW IEC-950

NOTES: UNLESS OTHERWISE SPECIFIED.

- PART NUMBER CHANGES AND OR DESIGN CHANGES AFFECTING ITEM INTERCHANGEABILITY REQUIRE PRIOR ELCON APPROVAL AND AUTHORIZATION BY REVISION TO THIS DRAWING.
- MATERIALS:  
 INSULATORS: THERMOPLASTIC, GLASS REINFORCED, COLOR BLACK, UL94V-0 FLAMMABILITY RATED.  
 SOLDER SIGNAL PIN: BRASS ALLOY.  
 POWER CONTACTS: PHOSPHOR BRONZE ALLOY.
- FINISHES:  
 CONTACTS: GOLD PLATED PER TYCO SPEC 112-162-5, .00076 [.000030] MIN THICK OVER NICKEL PER TYCO SPEC 112-25-2, .00130 [.000050] MIN THICK.  
 SOLDER TAILS: TIN PLATED PER LEAD FREE TYCO SPEC. 112-65-1, MATT-FINISH .0030 TO .0043 [.000120 TO .000170] THICKNESS.

- NON STANDARD 24 PIN SIGNAL MODULE.
- POWER BLADE CONTACTS ARE ONE-PIECE CONSTRUCTION.

6. ITEMS PROVIDED TO THIS SPECIFICATION TO BE PERMANENTLY IDENTIFIED PER THE FOLLOWING IDENTIFIER:



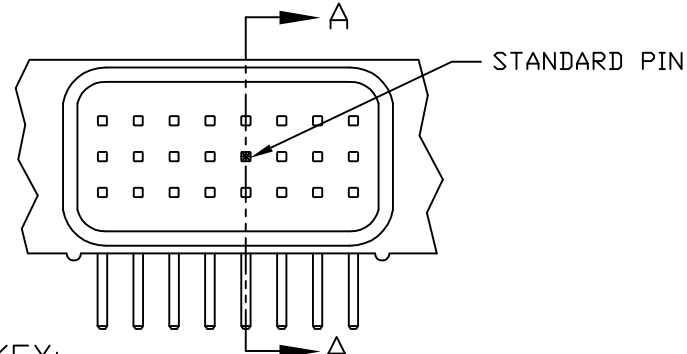
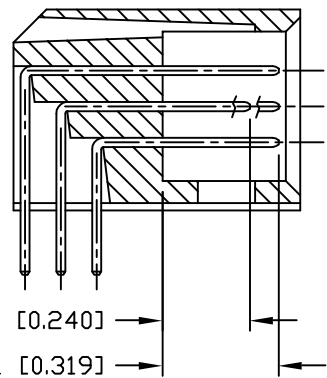
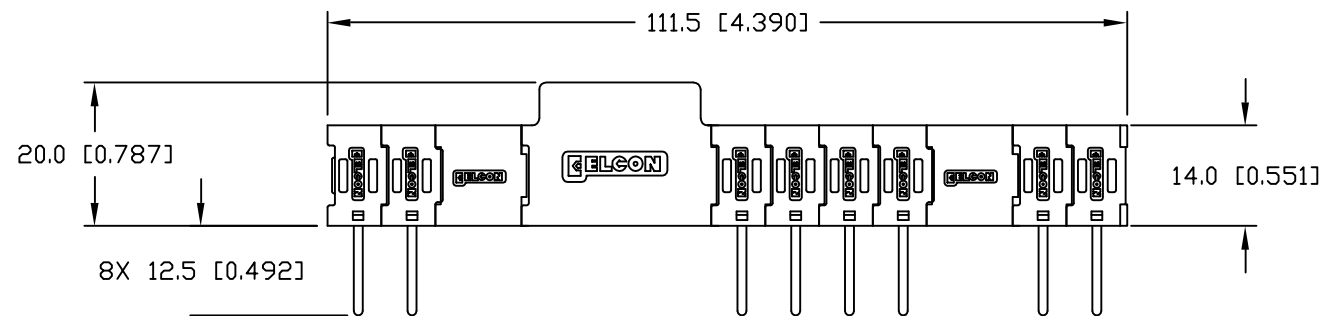
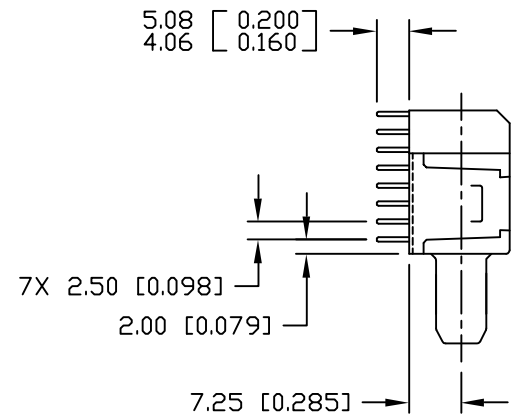
7. THIS CONNECTOR MATES WITH SOCKET CONNECTOR PN 278-0453-00200/-00400.

<p>THIRD ANGLE PROJECTION</p> <p>UNLESS OTHERWISE SPECIFIED DIMENSIONS ARE IN METRIC [INCHES]</p> <p>TOLERANCES</p> <p>ANGLES ± .5°</p> <p>DECIMALS</p> <p>.XX ± .25 [.010]</p> <p>.X ± .5 [.020]</p>	<p>MM OR MM [INCH]</p> <p>INCH</p>	<p>DRAWN</p> <p>R.F.A.</p>	<p>DATE</p> <p>08/25/04</p>	<p><b>tyco</b> Tyco Electronics Corporation  <b>Electronics</b> Menlo Park, Ca 94025</p>		<p><b>ELCON</b></p>
	<p>CHECKED</p>		<p>TITLE</p> <p>PIN CONNECTOR, FLATPAQ          RIGHT ANGLE, SOLDER TAILS          PN: 479-0453-10300C</p>		<p>REV.</p> <p>C</p>	
	<p>APPROVED</p>		<p>APPROVED</p>		<p>SIZE DWG NUMBER</p> <p>B C = 6651848</p>	
	<p>D. CHAU</p> <p>08/26/04</p>		<p>M. ALIM</p> <p>09/07/04</p>		<p>ACAD FILE NUMBER C6651848C.DWG</p>	
<p>DWG SCALE 1=1</p>				<p>SH 1 OF 3</p>		

This drawing involves proprietary design rights of Tyco Electronics Corporation, and all design, manufacture, reproduction, use and sale rights regarding the same are expressly reserved. It is submitted for a specific purpose and the recipient by accepting this drawing, assumes custody and control and agrees to take reasonable precautions; (a) that this drawing will not be copied and reproduced, in whole or in part, or its contents revealed in any manner, or to any person except to meet the purpose for which it was delivered and (b) that any special features peculiar to this design will not be incorporated in other projects without the expressed written permission of Tyco Electronics Corporation.

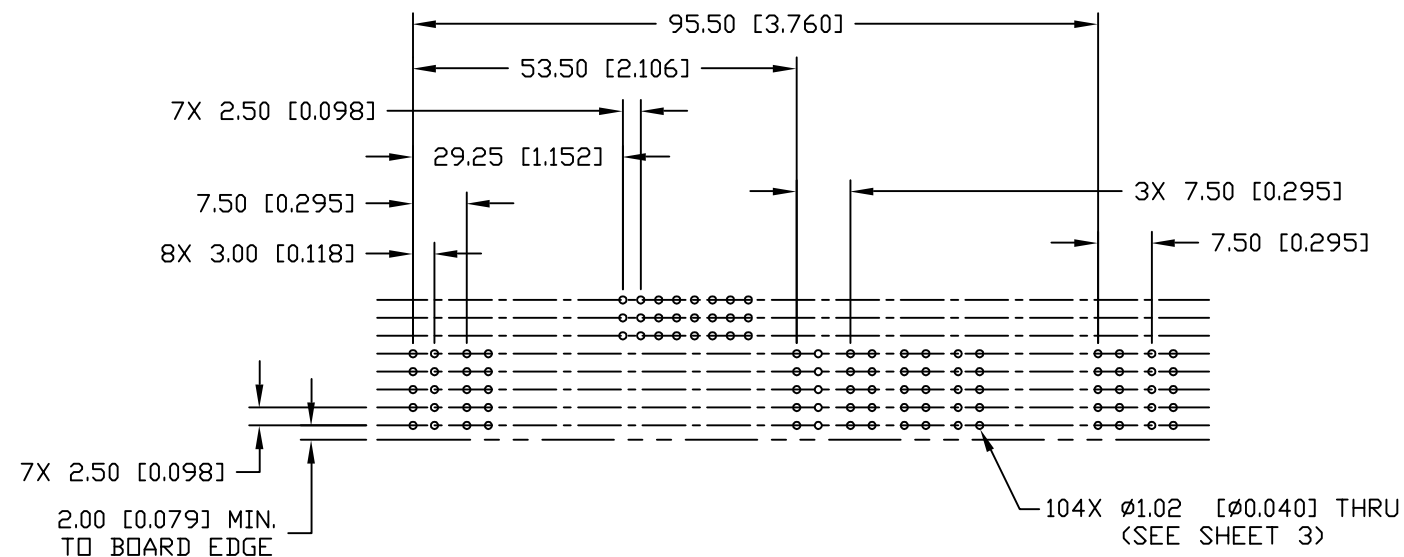
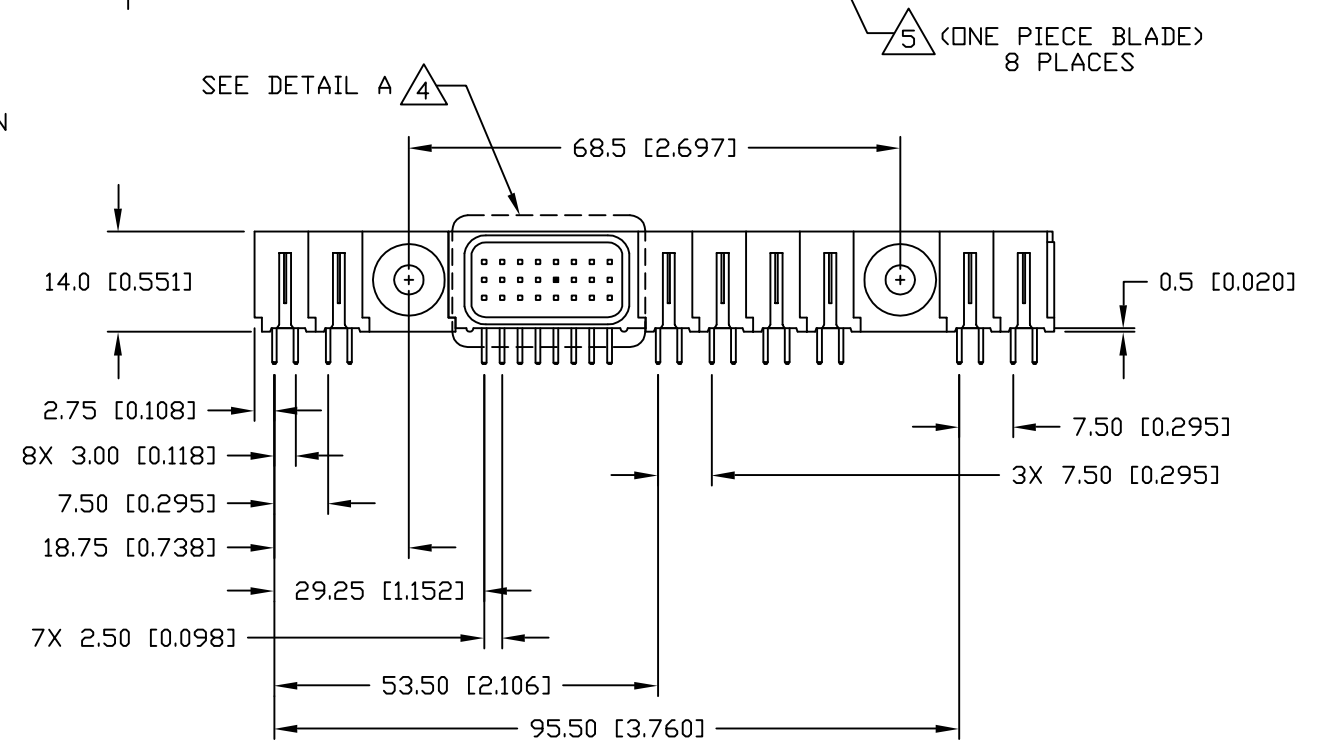
REVISIONS

EC	REV	DESCRIPTION	DATE
		SEE SHEET 1	



KEY:  
 [Symbol] STANDARD SIGNAL PIN  
 [Symbol] PREMATE SIGNAL PIN (23 PL)

DETAIL A



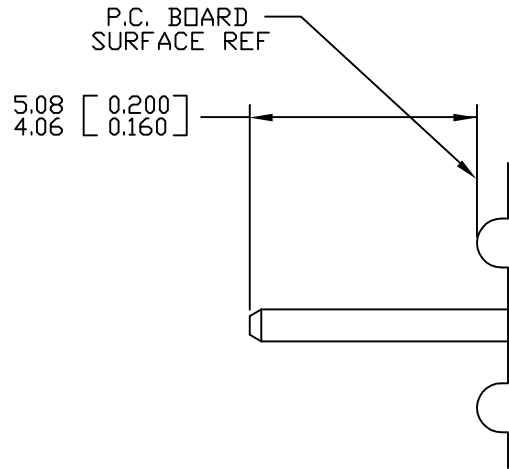
PRINTED CIRCUIT LAYOUT

THIRD ANGLE PROJECTION UNLESS OTHERWISE SPECIFIED DIMENSIONS ARE IN METRIC [INCHES] TOLERANCES ANGLES ± .5° DECIMALS .XX ± .25 [.010] .X ± .5 [.020]	DRAWN R.F.A. CHECKED	DATE 08/25/04	<b>tyco</b> Tyco Electronics Corporation <b>Electronics</b> Menlo Park, Ca 94025 <b>ELCON</b> TITLE PIN CONNECTOR, FLATPAQ RIGHT ANGLE, SOLDER TAILS PN: 479-0453-10300C
	APPROVED D. CHAU	08/26/04	
	APPROVED M. ALIM	09/07/04	
	ACAD FILE NUMBER C6651848C.DWG	DWG NUMBER C = 6651848	
		SIZE B	REV. C
			DWG SCALE 1=1 SH 2 OF 3

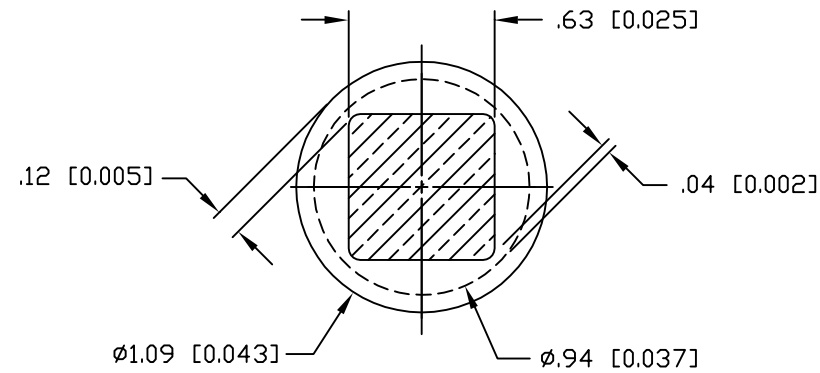
This drawing involves proprietary design rights of Tyco Electronics Corporation, and all design, manufacture, reproduction, use and sale rights regarding the same are expressly reserved. It is submitted for a specific purpose and the recipient by accepting this drawing, assumes custody and control and agrees to take reasonable precautions; (a) that this drawing will not be copied and reproduced, in whole or in part, or its contents revealed in any manner, or to any person except to meet the purpose for which it was delivered and (b) that any special features peculiar to this design will not be incorporated in other projects without the expressed written permission of Tyco Electronics Corporation.

REVISIONS

EC	REV	DESCRIPTION	DATE
		SEE SHEET 1	



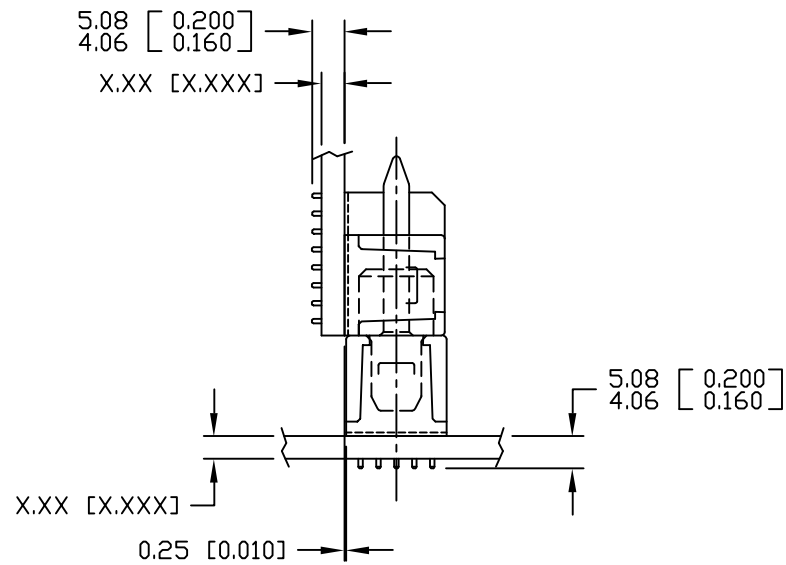
SOLDER PIN DETAIL



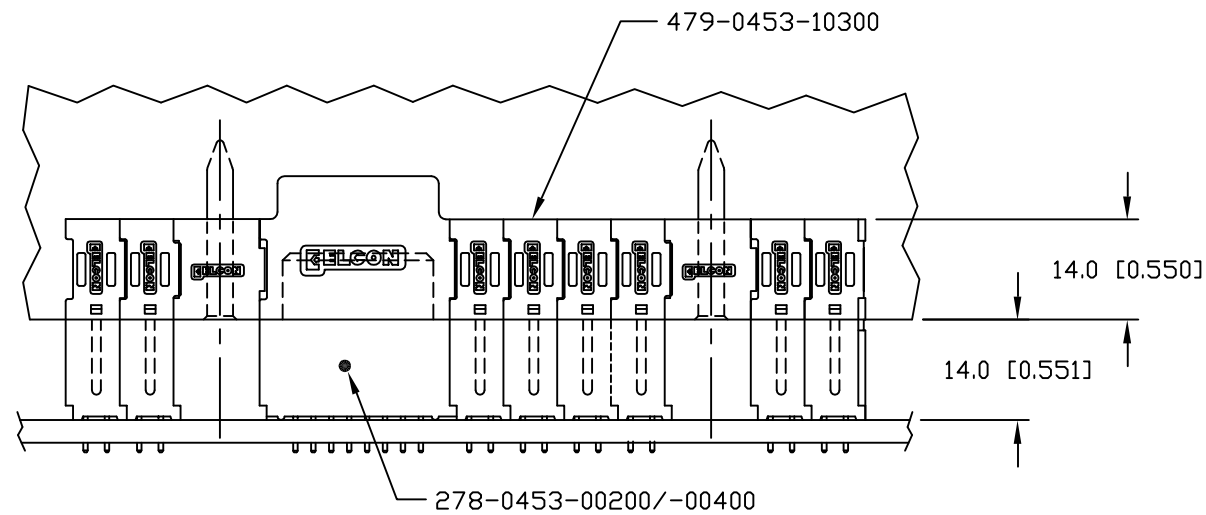
SOLDER TERMINATION AREA

RECOMMENDED PRINTED CIRCUIT HOLE

- FINISHED HOLE: ø1.02 [0.040] ±.08 [0.003]
- DRILLED HOLE: ø1.15 [0.0453] ±.013 [0.0005]
- COPPER PLATE: .025 [0.0010] MINIMUM (PER SURFACE)
- TIN PLATE: .008 [0.0003] MINIMUM (PER SURFACE)



MATED CONDITION



← MM OR MM [INCH] INCH THIRD ANGLE PROJECTION UNLESS OTHERWISE SPECIFIED DIMENSIONS ARE IN METRIC [INCHES] TOLERANCES ANGLES ± .5° DECIMALS .XX ± .25 [.010] .X ± .5 [.020]	DRAWN R.F.A. CHECKED	DATE 08/25/04	<b>tyco</b> Tyco Electronics Corporation <b>Electronics</b> Menlo Park, Ca 94025 <b>ELCON</b>	TITLE USER INFORMATION SOLDER TAIL TERMINATION AND MATED CONDITION	
	APPROVED APPROVED D. CHAU DCA APPROVED M. ALIM ACAD FILE NUMBER C6651848C.DWG	DATE 08/26/04 09/07/04			
			DWG SCALE 1=1		SH 3 OF 3