

Nut - Q-MU M20 - 1640702

Please be informed that the data shown in this PDF Document is generated from our Online Catalog. Please find the complete data in the user's documentation. Our General Terms of Use for Downloads are valid (<http://phoenixcontact.com/download>)



Nut (plastic) to lock the contact carrier from the inside of the device



Key Commercial Data

Packing unit	1 pc
Minimum order quantity	25 pc
Weight per Piece (excluding packing)	2.2 g
Custom tariff number	39269097
Country of origin	Germany

Technical data

General

Color	green
-------	-------

Classifications

eCl@ss

eCl@ss 4.0	23110706
eCl@ss 4.1	23110706
eCl@ss 5.0	23110706
eCl@ss 5.1	23110706
eCl@ss 6.0	23110706
eCl@ss 7.0	23110706
eCl@ss 8.0	23110705

ETIM

ETIM 2.0	EC000940
----------	----------

Nut - Q-MU M20 - 1640702

Classifications

ETIM

ETIM 3.0	EC000940
ETIM 4.0	EC002382
ETIM 5.0	EC002382

UNSPSC

UNSPSC 6.01	30211923
UNSPSC 7.0901	39121522
UNSPSC 11	39121522
UNSPSC 12.01	39121522
UNSPSC 13.2	39121522

Approvals

Approvals

Approvals

EAC

Ex Approvals

Approvals submitted

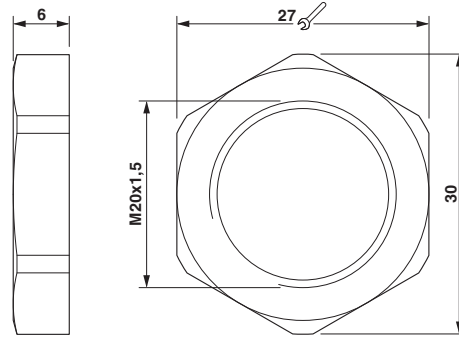
Approval details

EAC

Drawings

Nut - Q-MU M20 - 1640702

Dimensional drawing



Mouser Electronics

Authorized Distributor

Click to View Pricing, Inventory, Delivery & Lifecycle Information:

[Phoenix Contact:](#)

[1640702](#)