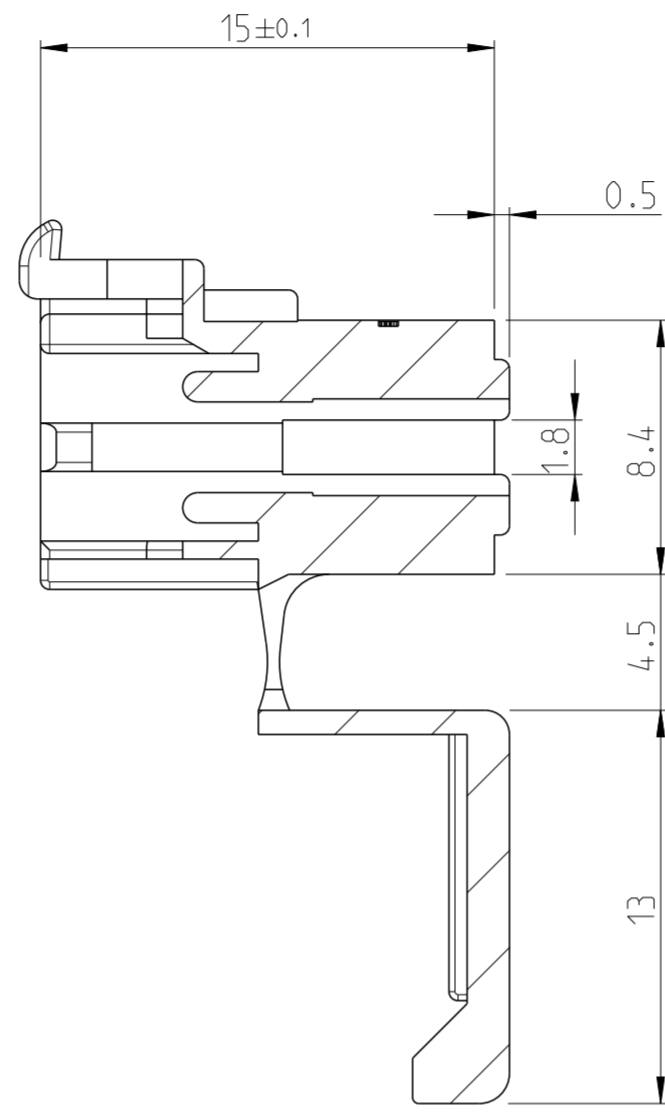
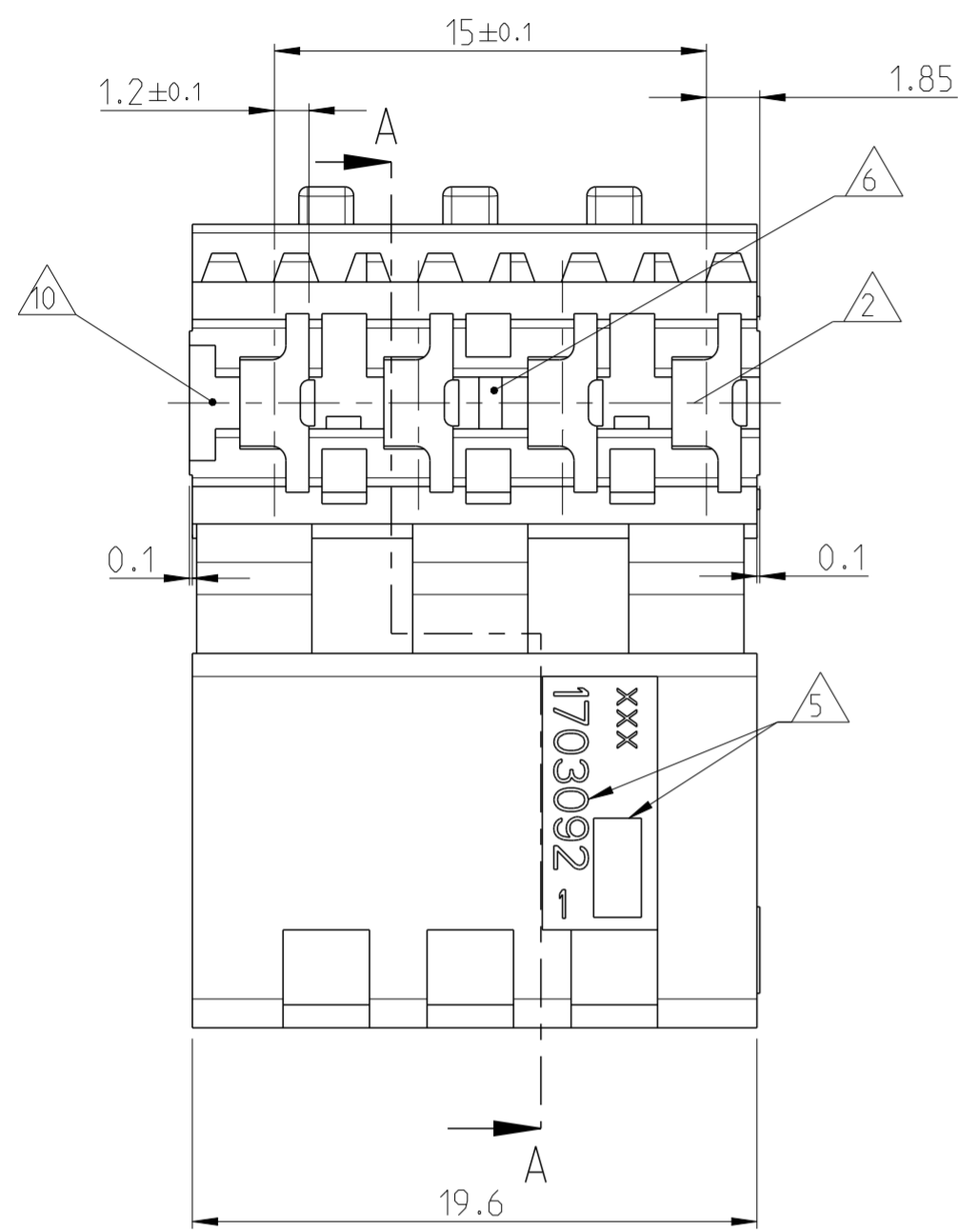
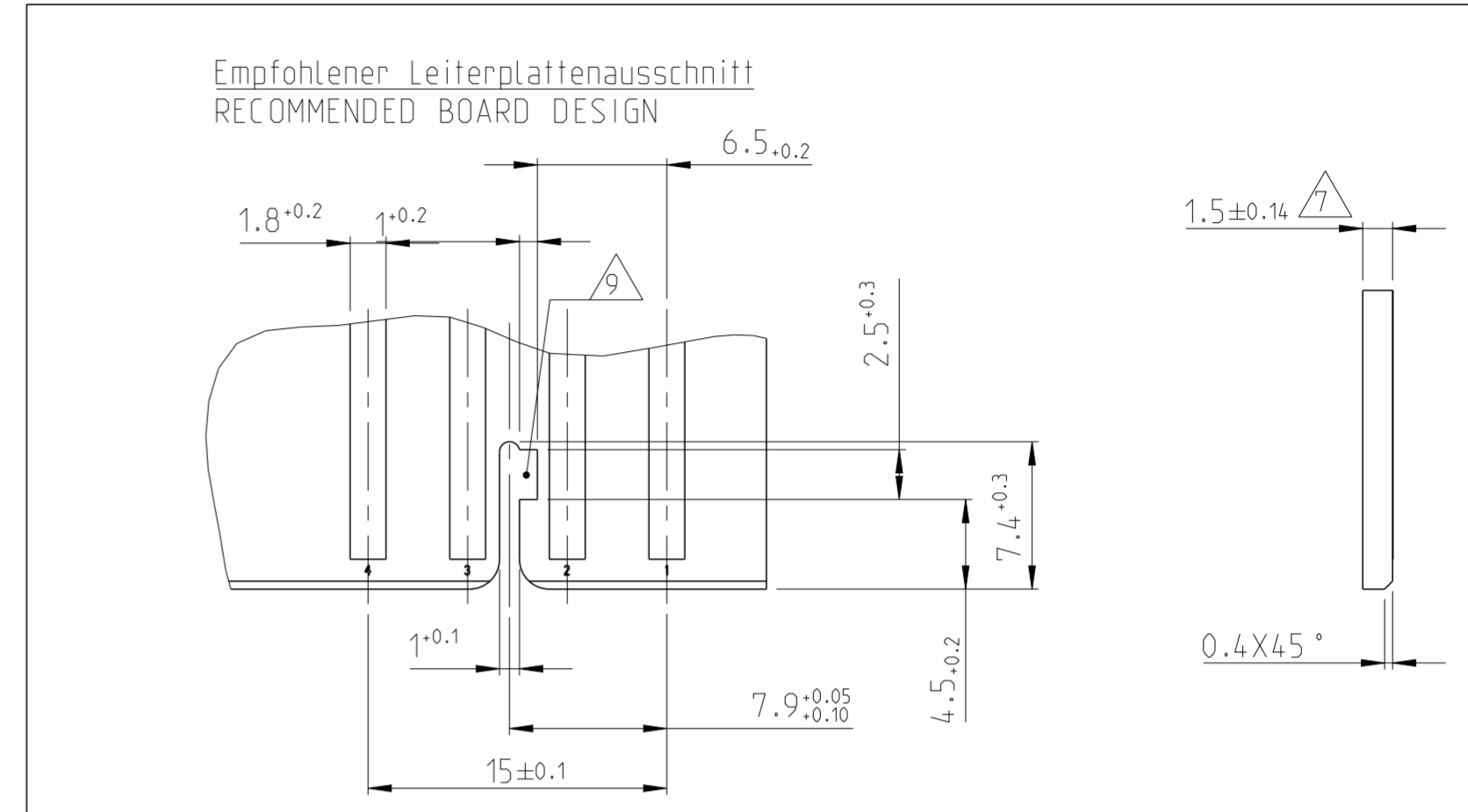


THIS DRAWING IS UNPUBLISHED. RELEASED FOR PUBLICATION
 © COPYRIGHT copyright_date BY - ALL RIGHTS RESERVED.

REVISIONS					
P	LTR	DESCRIPTION	DATE	DWN	APVD
1		PRELIMINARY RELEASE	01JUL2014	SS	RR

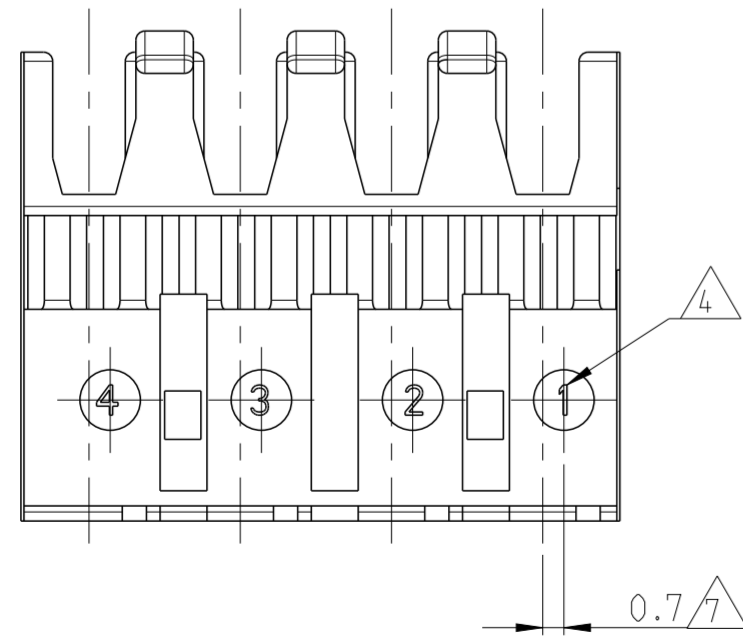


A-A



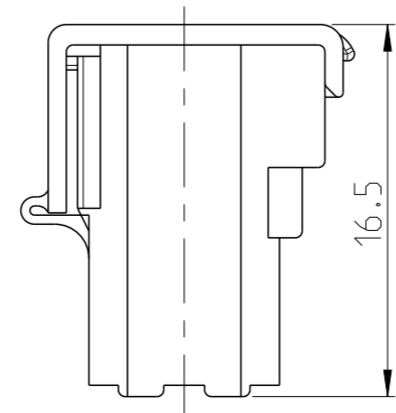
Bemerkungen / NOTES

- 1 Massgebend ist der deutsche Text
ONLY THE GERMAN-LANGUAGE VERSION SHALL BE BINDING
- 2 Lage des Kontaktpunktes auf der Leiterplatte; Abweichung ±0.4
POSITION OF CONTACT POINT ON BOARD; DEVIATION ±0.4
- 3 Kontaktierung zur Drahtmitte um 0.7mm versetzt
CONTACTING 0.7mm DISPLACED TO WIRE CENTRELINE
- 4 Kontaktkammer-Nr.
CONTACT CAVITY #
- 5 Firmenlogo und Leergehäuse-Nr.
ARTWORK LOGO AND HOUSING # (NON LOADED)
- 6 Kodersteg zwischen Kammer Nr.1&2
KEYING RIB BETWEEN CAVITY Nr. 2 & 3
- 7 Ausführung nach DIN 60249-2-4
BOARD DESIGN ACCORDING TO DIN 60249-2-4
- 8 Crimp Kontakt-Nr.:
Material: CuSn4 926770-1, 926917-1
CRIMP CONTACT #:
MATERIAL: CuSn4
- 9 SQUARE HOLE 2X2 mm OPTIONAL LOCKING HOLE Ø2.5 mm
- 10 MATERIAL ACCORDING TO IEC 60335-1 (INCLUDING GWT 750 ° C NO FLAME)



Schematische Darstellung des MT-Edge Gehäuses mit geschlossenem Deckel

SCHEMATIC DESCRIPTION OF MT-EDGE HOUSING WITH CLOSED LID



1-1703092-1	10	MT-EDGE HOUSING	NATURE
PART-NO.:		DESCRIPTION	COLOUR

THIS DRAWING IS A CONTROLLED DOCUMENT.		DWN SUDHAKAR 01JUL2014	TE Connectivity	
DIMENSIONS: mm		CHK SUDHAKAR 01JUL2014		
TOLERANCES UNLESS OTHERWISE SPECIFIED:		APVD RICCARDO 01JUL2014		
0 PLC ±	1 PLC ±0.2	NAME	4-WAYS MT-EDGE HOUSING LOOSE PIECE VERSION	
2 PLC ±	3 PLC ±	PRODUCT SPEC	108-18003	
4 PLC ±	ANGLES ±	APPLICATION SPEC	114-18002	
FINISH		WEIGHT	SIZE	CAGE CODE
10 PA6/UL94V-2		-	A2	00779
Customer Drawing		SCALE	DRAWING NO	RESTRICTED TO
		4:1	C-1703092	-
		SHEET	1	OF
		1	1	REV
				1