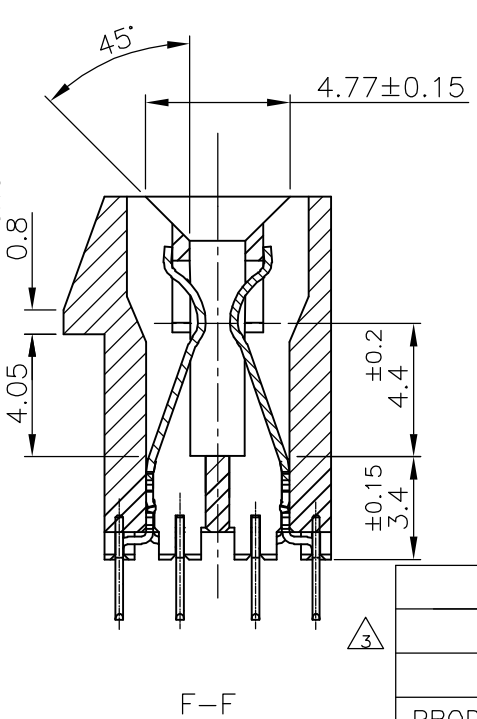
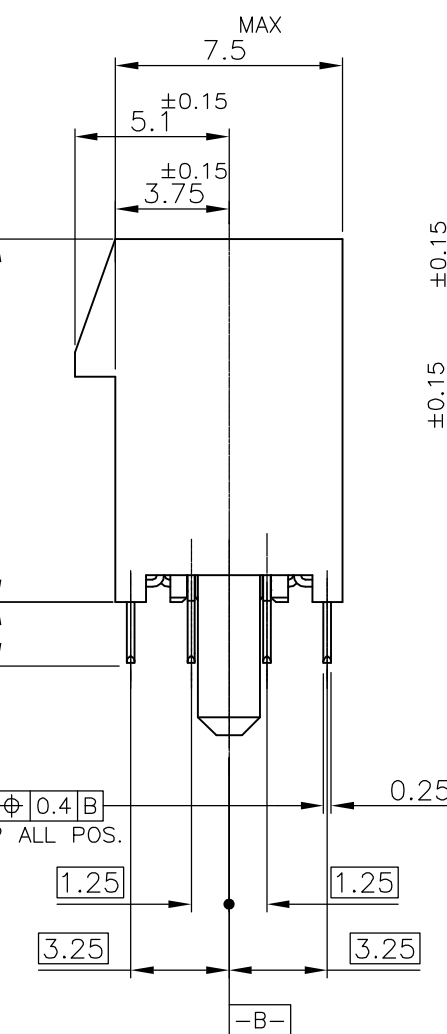
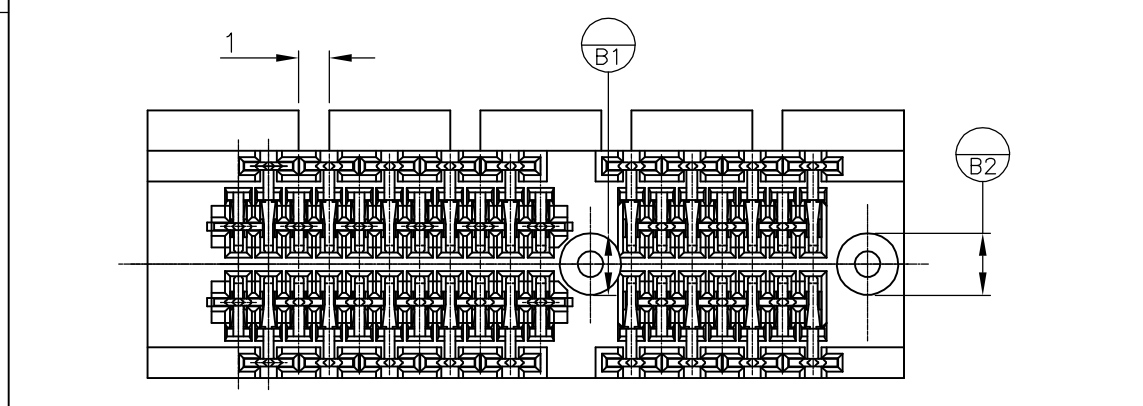
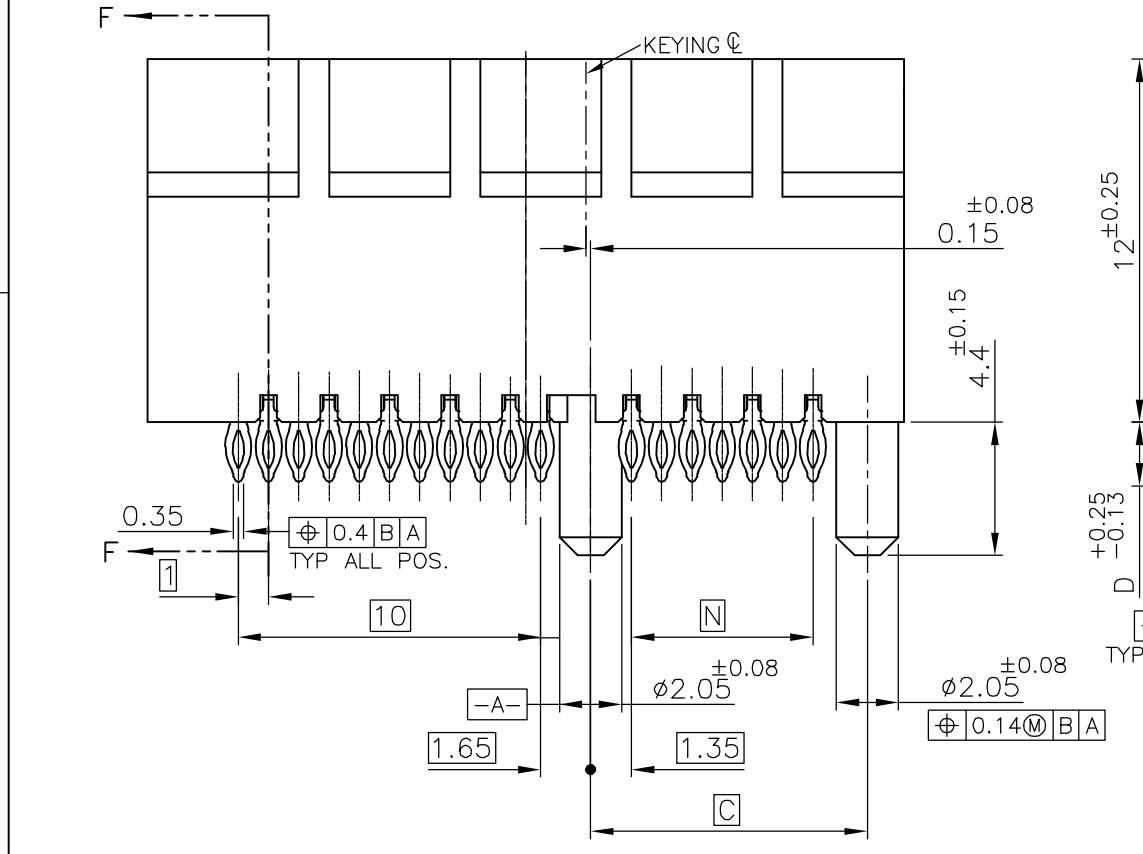
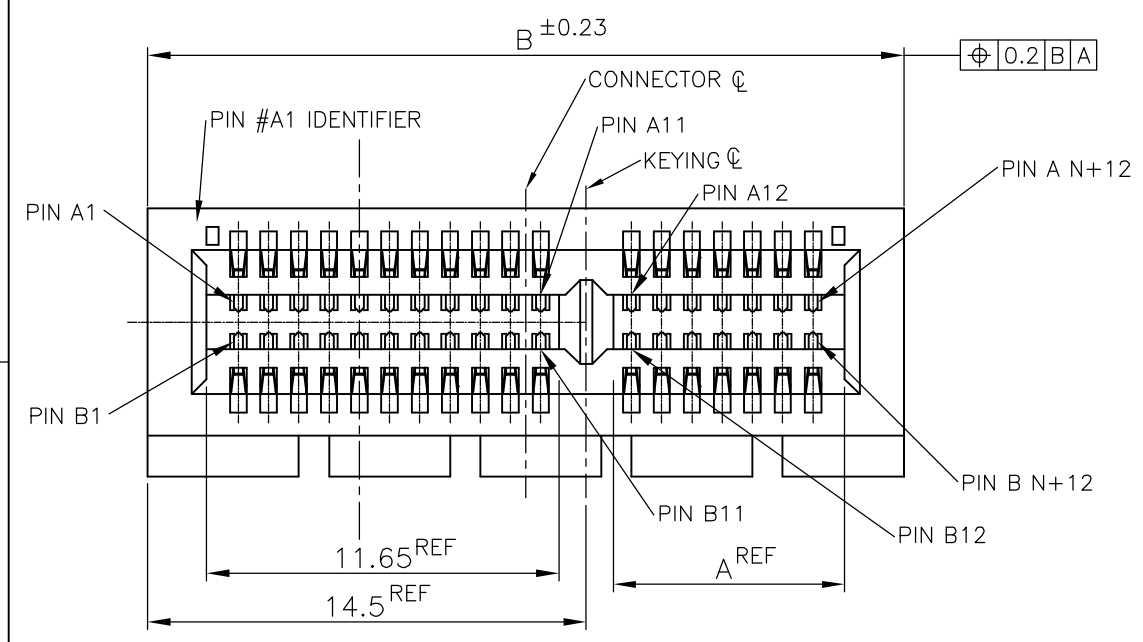


THIS DRAWING IS UNPUBLISHED. RELEASED FOR PUBLICATION JUN ,2005.
 © COPYRIGHT 2005 BY TYCO ELECTRONICS CORPORATION. ALL RIGHTS RESERVED.

LOC	DIST	REVISIONS			DATE	DWN	APVD
		P	LTR	DESCRIPTION			
J	/	A	RELEASED	14NOV06	T.K	K.I	



- ① MATERIAL;
HOUSING: HIGH TEMPERATURE THERMO PLASTIC UL94V-0, COLOR; BLACK
CONTACT: COPPER ALLOY
- ② FINISH;
CONTACT AREA: GOLD PL.0.76μm MIN OVER NICKEL PL.
COMPLIANT PIN ACTION AREA: 0.5μm MIN MATTE TIN OVER NICKEL PL.
- ③ NOT SPECIFY BY PCI EXPRESS STANDARD
- ④ THESE PARTS ARE PRELIMINARY, AND NOT TOOLED.
- ⑤ FINISH;
CONTACT AREA: GOLD PL.0.76μm MIN OVER NICKEL PL.
COMPLIANT PIN ACTION AREA: 0.5μm MIN BRIGHT TIN-LEAD OVER NICKEL PL.

	⑤	37	40.15	56	38.65	98	8	3-	-3
		128	131.15	147	129.65	280	16	1-	-5
		70	73.15	89	71.65	164	16	1-	-4
PRODUCING		37	3.25	40.15	56	38.65	98	8	1-
		20	23.15	39	21.65	64	4	1-	-2
PRELIMINARY		6	3.25	9.15	25	7.65	36	1	1-
		128	131.15	147	129.65	280			-5
		70	73.15	89	71.65	164	16		-4
PRODUCING	②	37	2.0	40.15	56	38.65	98	8	1939178-3
		20	23.15	39	21.65	64	4		-2
PRELIMINARY	②	6	2.0	9.15	25	7.65	36	1	1939178-1
TOOLING STATUS	FINISH	N	D	C	B	A	POS.	PORT	P/N

THIS DRAWING IS A CONTROLLED DOCUMENT.

DWN T.KATANO 10NOV06
 CHK K.IKEGAMI 14NOV06
 APVD K.IKEGAMI 14NOV06

tyco Tyco Electronics AMP K.K.
Electronics Kawasaki, Japan

NAME 名称: PCI EXPRESS CARD EDGE CONN. WITH COMPLIANT PIN V-TYPE

PRODUCT SPEC 製品規格: 108-78340

APPLICATION SPEC 取付適用規格

WEIGHT

SIZE A3 CAGE CODE 00779 DRAWING NO 番号 C-1939178 RESTRICTED TO

MATERIAL 材料: SEE NOTE 2

FINISH 仕上: SEE NOTE 2

CUSTOMER DRAWING SCALE 尺度 4:1 SHEET 1 OF 2 REV A

