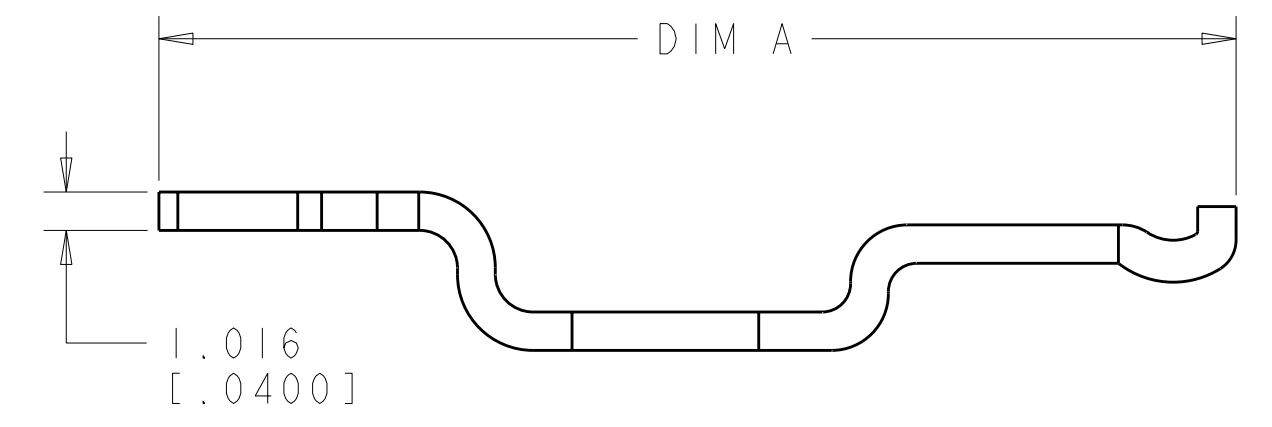
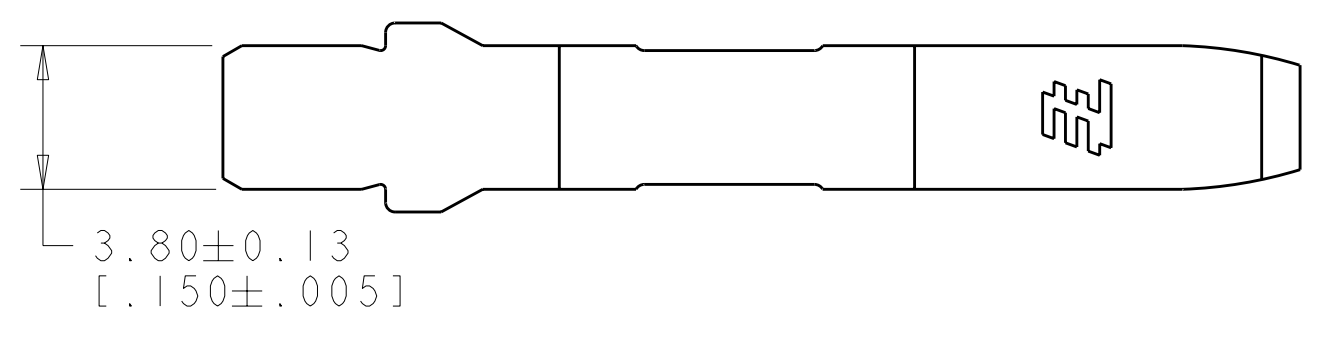
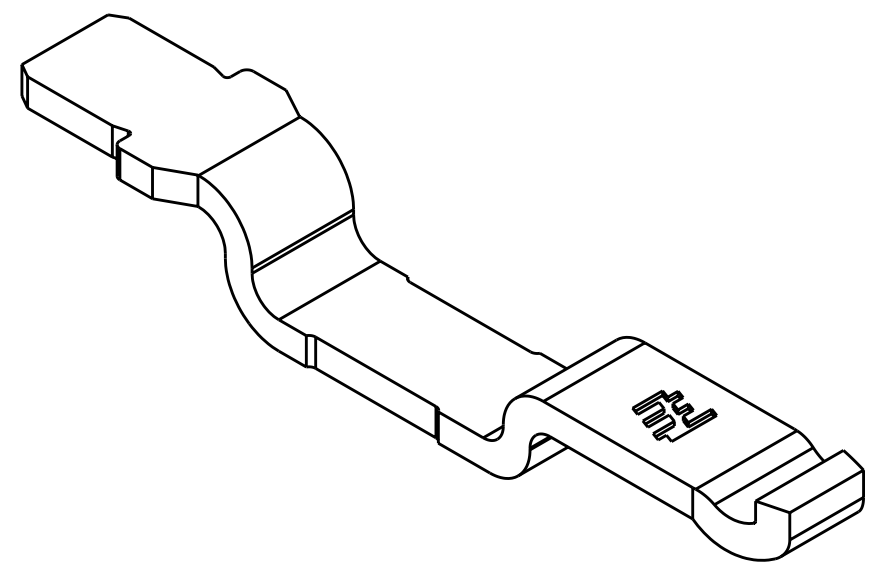
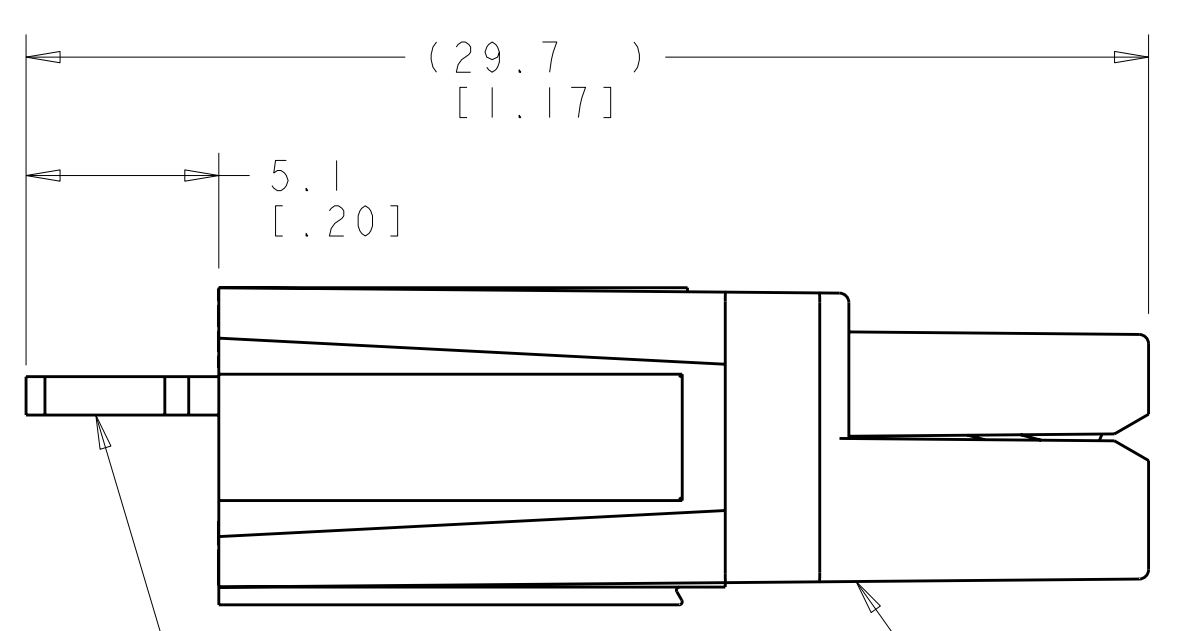
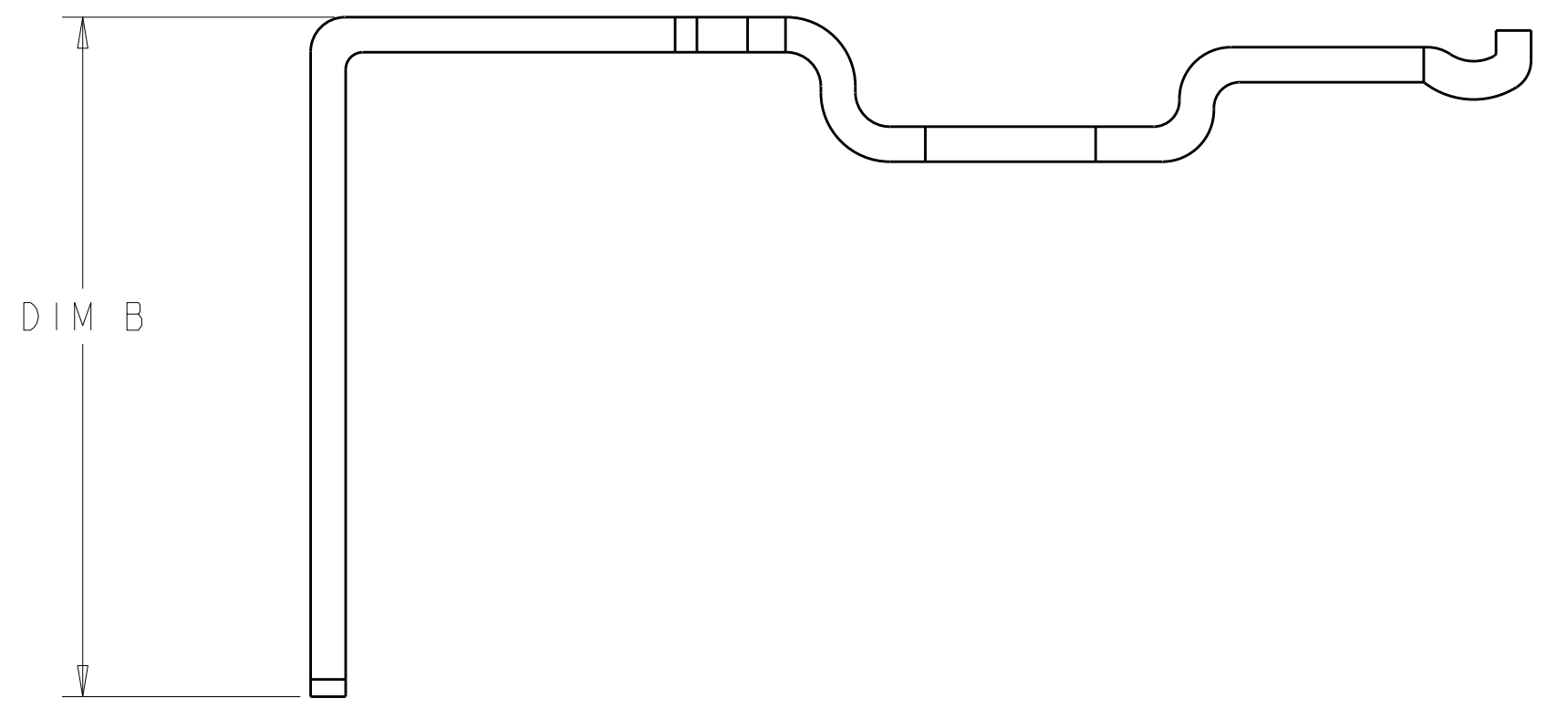
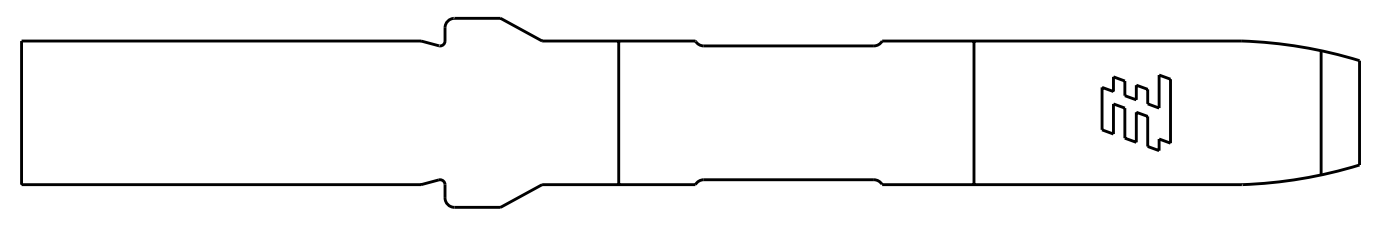
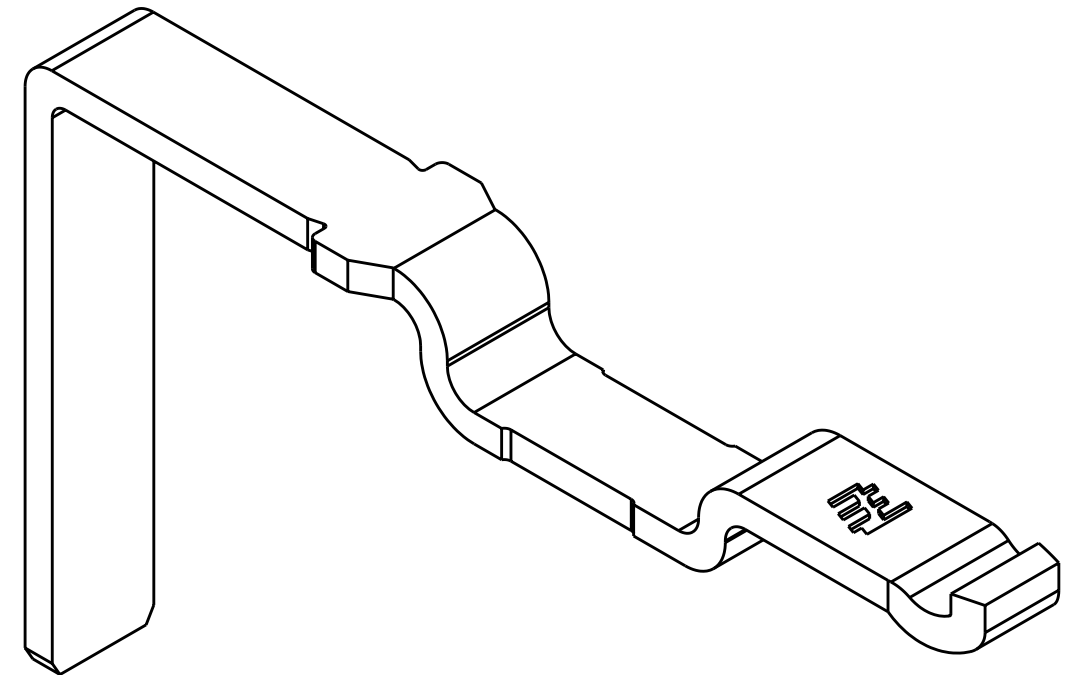
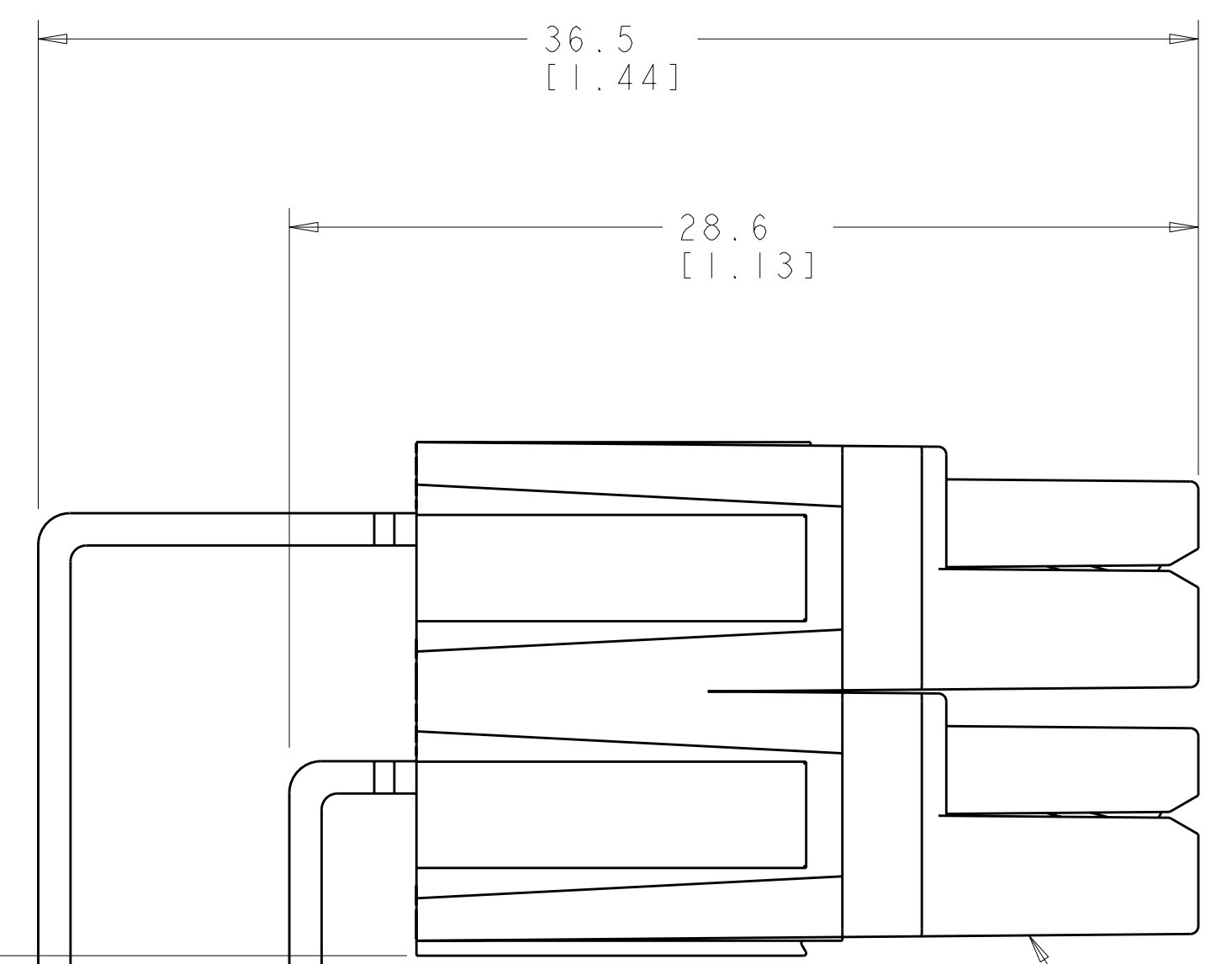


LOC		DIST		REVISIONS			
CM	00	P	LTR	DESCRIPTION	DATE	DWN	APVD
		A		REVISED PER ECO-11-018956	27SEP2011	KH	DY

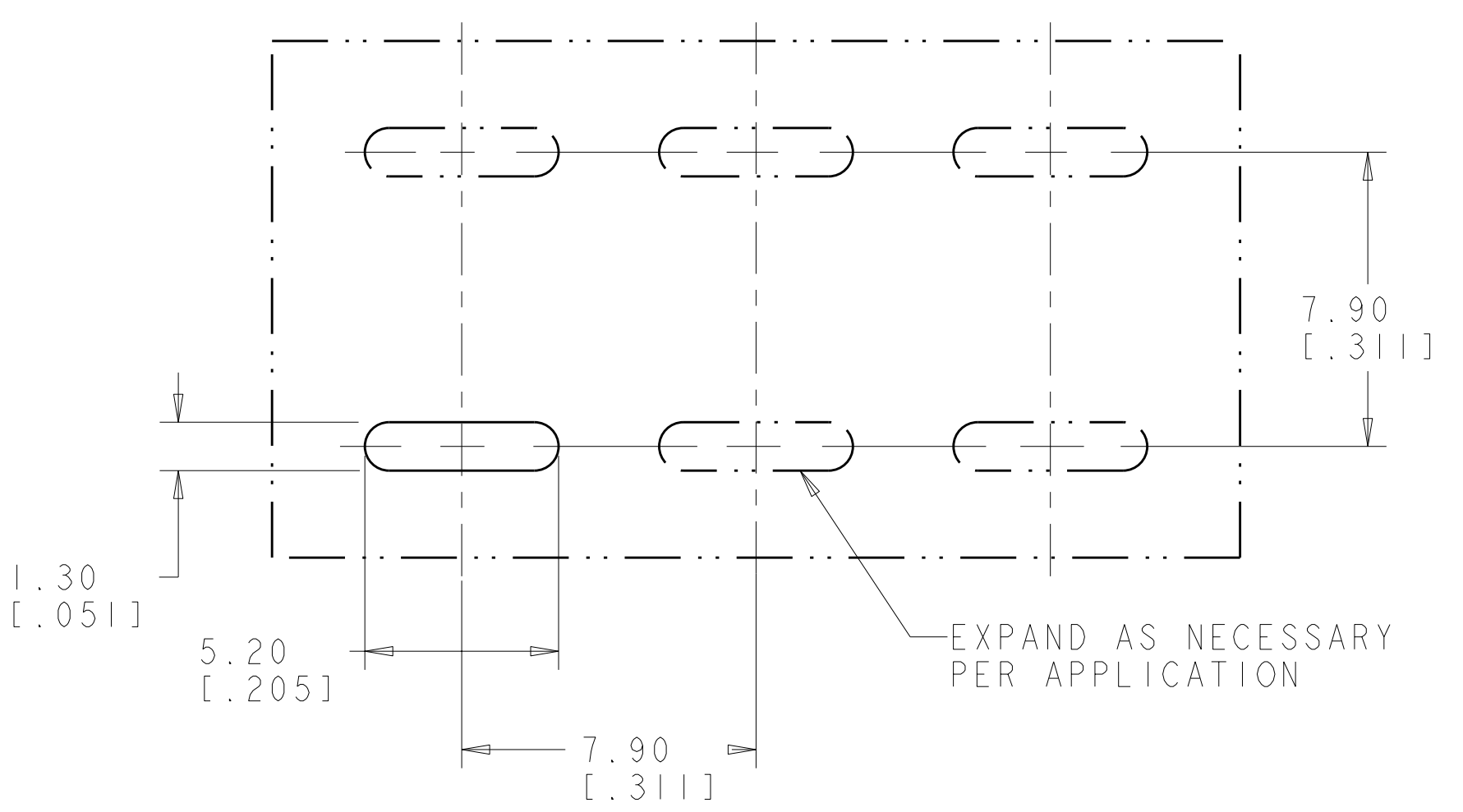


1744340-1 HOUSING 1445957, (NOT INCLUDED)



HOUSINGS 1445957, STACKED VERTICALLY (NOT INCLUDED)

1744340-2
1744340-3



RECOMMENDED BOARD LAYOUT

EXPAND AS NECESSARY PER APPLICATION

565.23 [0.876]	19.70 [0.776]	35.40 [1.394]	1744340-3
414.01 [0.642]	11.90 [0.469]	27.50 [1.083]	1744340-2
320.94 [0.497]	0.00 [0.000]	28.50 [1.122]	1744340-1
SURFACE AREA	DIM B	DIM A	PART NUMBER

THIS DRAWING IS A CONTROLLED DOCUMENT.		DWN: R. WHITAKER 22JUL2008	TE Connectivity
DIMENSIONS: mm [INCHES]		CHK: D. BOSSI 22JUL2008	
TOLERANCES UNLESS OTHERWISE SPECIFIED:		APVD: D. BOSSI 22JUL2008	NAME: PCB CONTACT, HIGH POWER, POWER SERIES
9 PLC ± .5 [0.020]		PRODUCT SPEC	SIZE: CAGE CODE DRAWING NO. RESTRICTED TO
7 PLC ±0.13 [0.005]		APPLICATION SPEC	A100779C=1744340
5 PLC ±0.13 [0.005]		FINISH: BRIGHT TIN	SCALE: 6:1 SHEET 1 OF 1 REV A
4 PLC ± .		WEIGHT: -	CUSTOMER DRAWING
ANGLES ±°			



Mouser Electronics

Authorized Distributor

Click to View Pricing, Inventory, Delivery & Lifecycle Information:

[TE Connectivity:](#)

[1744340-2](#)