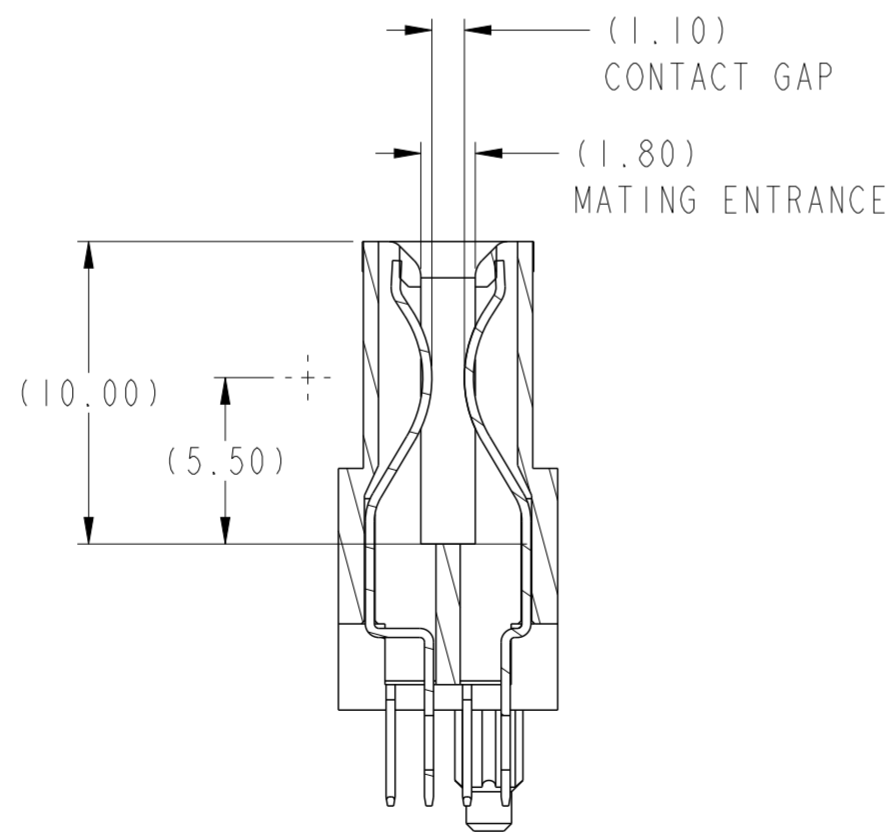


SECTION C-C

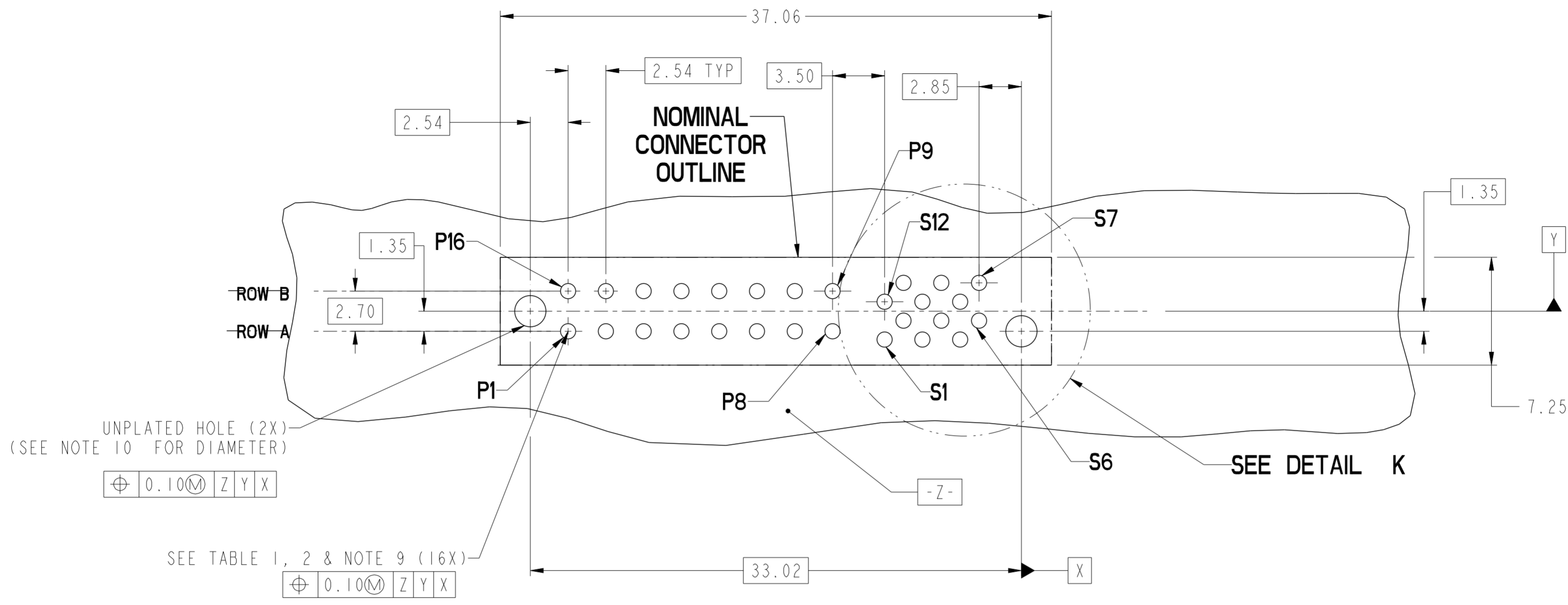


SECTION D-D

rev	dr	date
A	HZ	2011-09-26
B	WL	2012-04-24
-	-	-
-	-	-
-	-	-
-	-	-

spec ref	-	dr	Wei-Long Zhang	2011/01/16	projection	MM	size	A2	scale	4:1				
tolerance std	ASME Y14.5	eng	Wei-Long Zhang	2012/04/25			ecn no	ELX-DG-011358-1						
TOLERANCES UNLESS OTHERWISE SPECIFIED		chr	-	appr			Pai-Ming Zheng	2012/04/26	product family	CARD EDGE	rel level	Released		
surface	ASME Y14.5	linear	0.X	±0.50		VERT RECT (16P-12S) HIGH POWER CARD EDGE	dwg no 10117036	rev B	Product - Customer Drw		sheet 1 of 4			
	angular	0°	±2°	www.fci.com					cat. no.	-	PDS: Rev :B		STATUS:Released	Printed: Apr 26, 2012

Copyright FCI. FCI

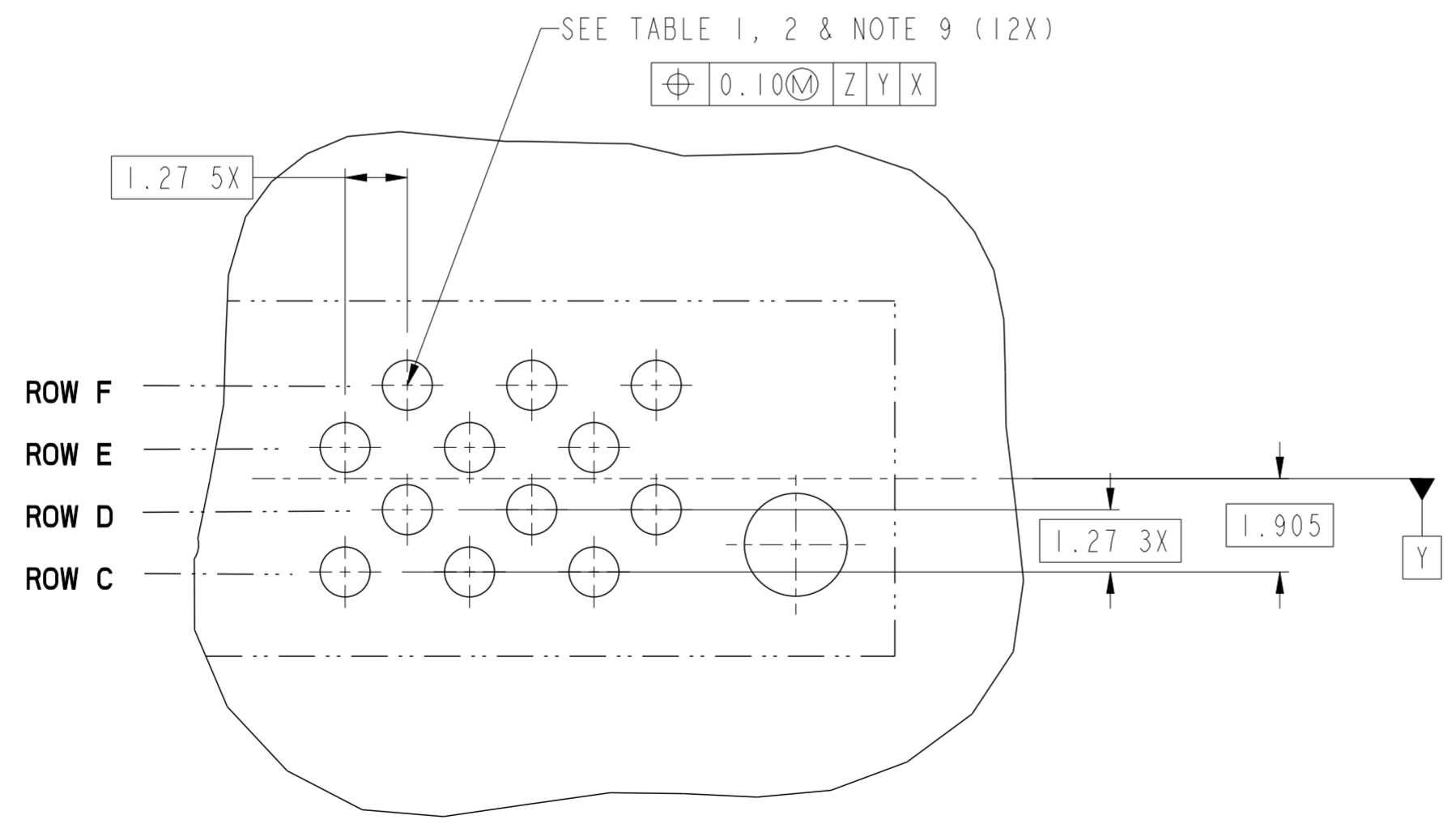


UNPLATED HOLE (2X)
(SEE NOTE 10 FOR DIAMETER)

$\text{⌀} 0.10\text{M}$ Z Y X

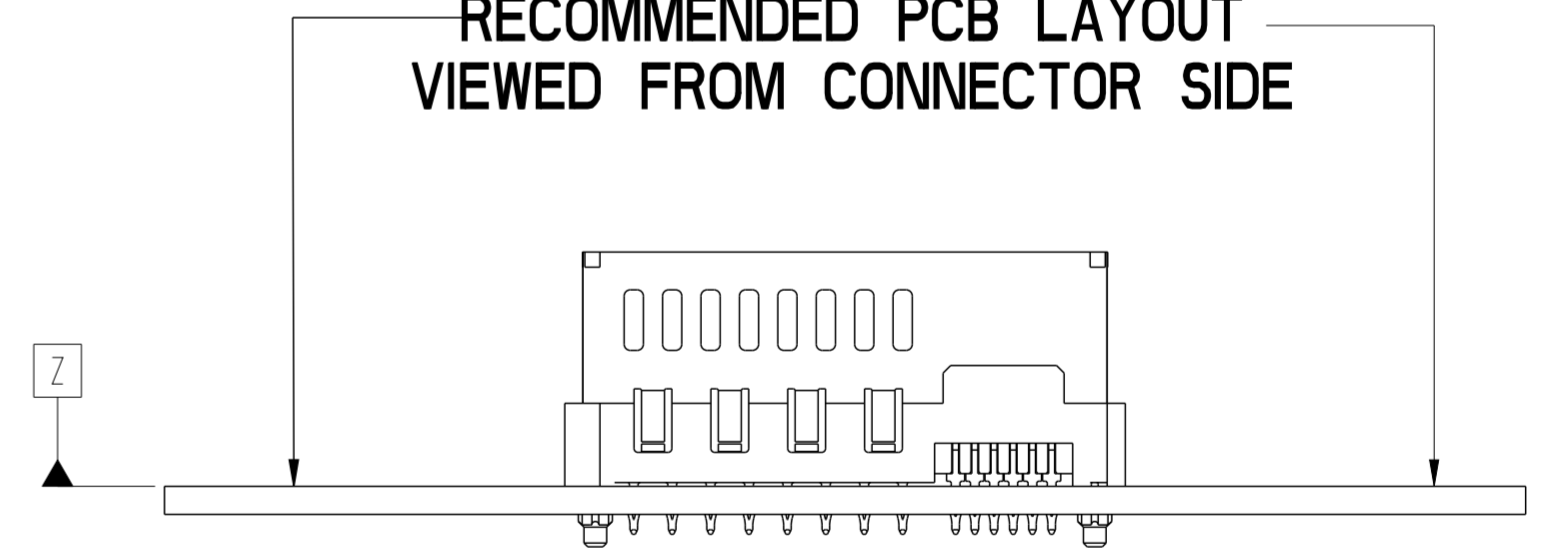
SEE TABLE 1, 2 & NOTE 9 (16X)

$\text{⌀} 0.10\text{M}$ Z Y X



DETAIL K
SCALE 8:1

RECOMMENDED PCB LAYOUT
VIEWED FROM CONNECTOR SIDE

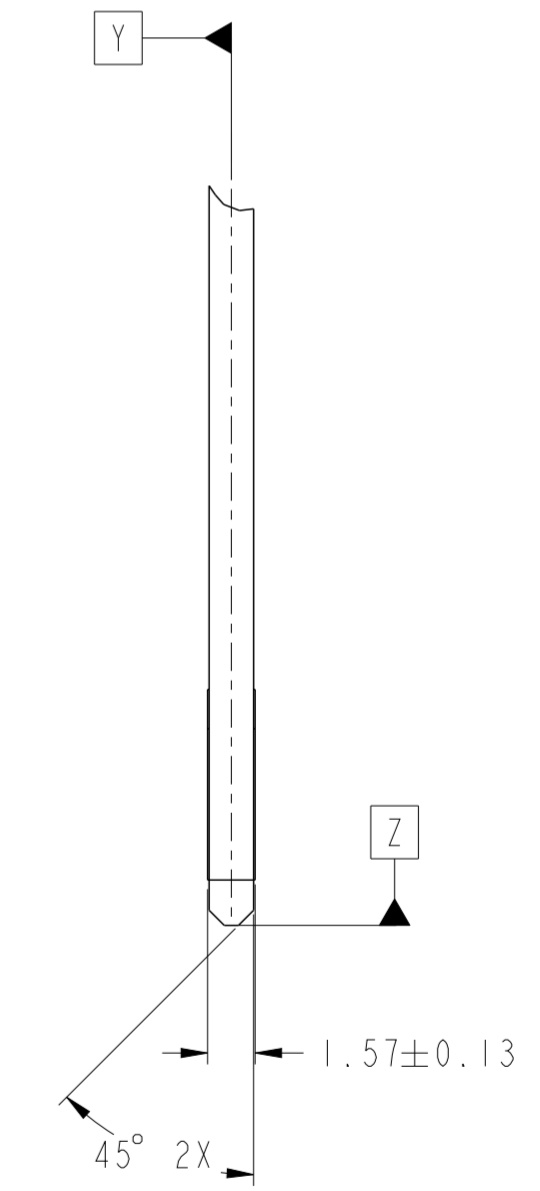
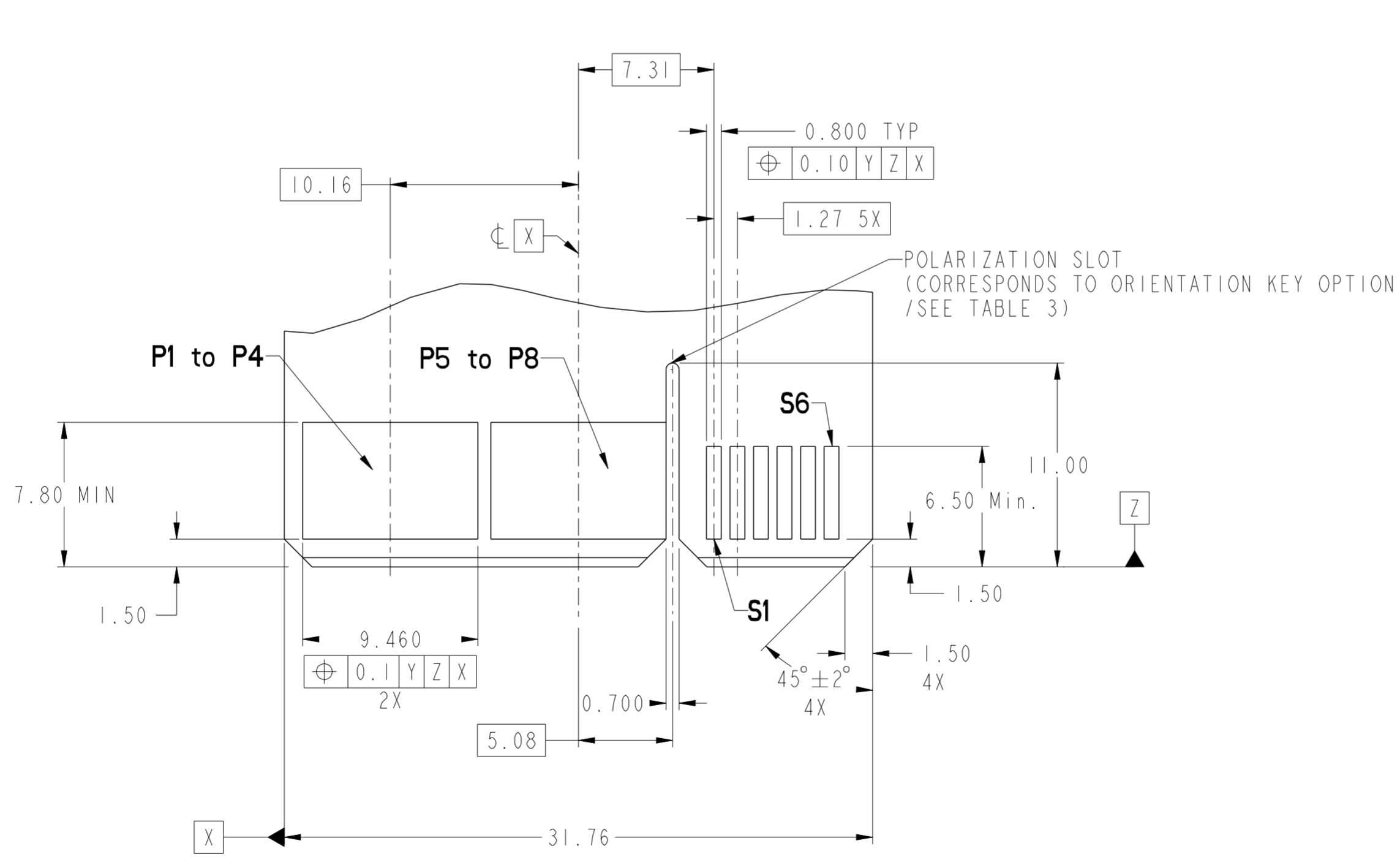


spec ref	-	dr	Wei-Long Zhang	2011/01/16	projection	MM	size	A2	scale	4:1	
tolerance std	ASME Y14.5	eng	Wei-Long Zhang	2012/04/25			ecn no	ELX-DG-011358-1			
TOLERANCES UNLESS OTHERWISE SPECIFIED		chr	-	appr			Pei-Ming Zheng	2012/04/26	product family	CARD EDGE	rel level
surface	✓	linear	0.X	±0.50		VERT RECT (16P-12S) HIGH POWER CARD EDGE	dwg no 10117036	rev B	Product - Customer Drw		
		angular	0°	±2°					cat. no.	-	sheet 2 of 4
									www.fci.com		

CONTACT TYPE	TOP LAYER DESCRIPTION	TABLE 1 (HPCE / SOLDER TAILS) PLATED THROUGH-HOLE REQUIREMENTS				
		DRILLED HOLE DIAMETER	COPPER THICKNESS	TIN-LEAD THICKNESS	TIN THICKNESS	FINISHED HOLE DIAMETER
POWER & SIGNAL	TIN-LEAD	1.10-1.16 (1.15 DRILL)	0.025 - 0.050	0.005 - 0.015	--	0.94 - 1.10
	IMMERSION TIN	1.10-1.16 (1.15 DRILL)	0.025 - 0.050	--	0.9 - 1.5um	0.94 - 1.10
	COPPER (SEE NOTE 8)	1.10-1.16 (1.15 DRILL)	0.025 - 0.050	--	--	0.94 - 1.10

CONTACT TYPE	TOP LAYER DESCRIPTION	TABLE 2 (HPCE / PRESS-FIT TAILS) PLATED THROUGH-HOLE REQUIREMENTS				
		DRILLED HOLE DIAMETER	COPPER THICKNESS	TIN-LEAD THICKNESS	TIN THICKNESS	FINISHED HOLE DIAMETER
POWER & SIGNAL	TIN-LEAD	0.81-0.86 (0.85 DRILL)	0.025 - 0.050	0.005 - 0.015	--	0.65 - 0.80
	IMMERSION TIN	0.81-0.86 (0.85 DRILL)	0.025 - 0.050	--	0.9 - 1.5um	0.70 - 0.80
	COPPER (SEE NOTE 8)	0.81-0.86 (0.85 DRILL)	0.025 - 0.050	--	--	0.70 - 0.80

RECOMMENDED MATING BOARD FOOTPRINT



Copyright FCI. FCI

spec ref	-	dr	Wei-Long Zhang	2011/01/16	projection	MM	size	A2	scale	4:1
tolerance std	ASME Y14.5	eng	Wei-Long Zhang	2012/04/25	chr	-	ecn no	ELX-DG-011358-1	rel level	Released
surface	linear	appr	Pei-Ming Zheng	2012/04/26	product family	CARD EDGE	title	VERT RECT (16P-12S) HIGH POWER CARD EDGE	dwg no	10117036
	angular						www.fci.com	cat. no.	Product - Customer Drw	sheet 3 of 4

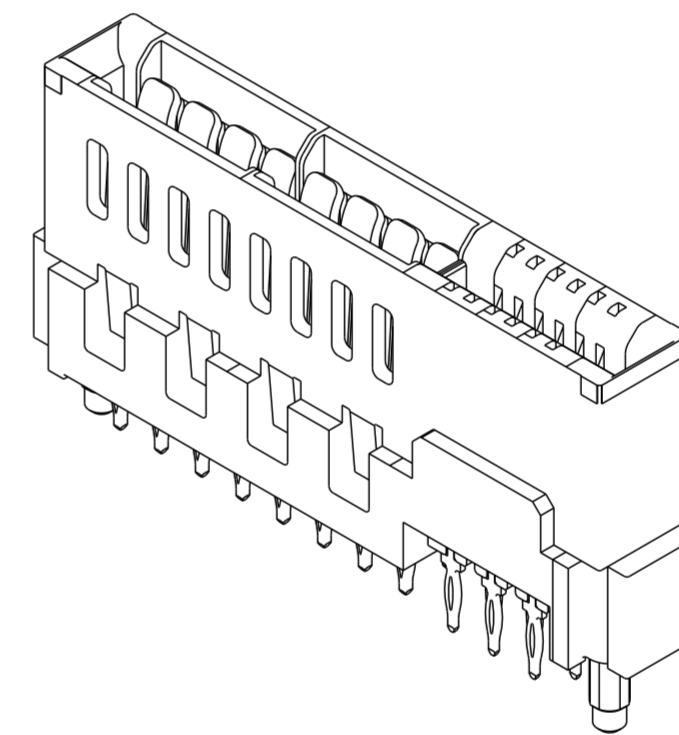
PDS: Rev :B

STATUS:Released

Printed: Apr 26, 2012

HPCE PART NUMBER (TABLE 3)

PART NUMBER	TAIL TYPE	ORIENTATION KEY	DIM "A" TYPICAL TAIL LENGTH	DIM "B" RECOMMENDED BOARD THICKNESS
10117036-001LF	SOLDER	YES	3.17 ±0.25	1.59 - 2.38
10117036-002LF	SOLDER	NO		
10117036-003	PRESS-FIT	YES	3.17 ±0.25	1.57 MIN
10117036-003LF	PRESS-FIT	YES		
10117036-004	PRESS-FIT	NO		
10117036-004LF	PRESS-FIT	NO		



NOTES:

1. CONNECTOR MATERIALS:
 HOUSING: HIGH TEMPERATURE THERMAL PLASTIC, BLACK
 UL 94V-0 COMPLIANT
 CONTACTS: HIGH PERFORMANCE COPPER ALLOY.
2. CONTACT FINISH REF. GS-12-604 SECTION 5.2.
3. PRODUCT SPECIFICATION: GS-12-604.
4. APPLICATION SPECIFICATION: GS-20-128.
5. PRODUCT MARKING (FCI - PART NUMBER & DATE CODE) ON HOUSING IN AREA SHOWN.
6. PACKAGING MEETS FCI SPECIFICATION GS-14-937.
7. HOUSING COMPONENT WILL WITHSTAND EXPOSURE TO 260°C PEAK TEMPERATURE FOR 60 SECONDS IN A CONVECTION, INFRA-RED, OR VAPOR PHASE REFLOW OVEN.
8. COPPER PLATING THICKNESS IN CENTER OF VIA-HOLE CAN BE NO MORE THAN 0.003 LESS THAN OTHER AREAS.
9. ALL HOLE SIZES ARE FINISHED HOLE SIZES.
10. MOUNTING HOLES ARE UNPLATED
 Ø 2.40 +/- 0.1 FOR PRESS-FIT TAILS
 Ø 2.10 +/- 0.1 FOR SOLDER TAILS

spec ref	-	dr	Wei-Long Zhang	2011/01/16	projection	MM	size	A2	scale	4:1
tolerance std	ASME Y14.5	eng	Wei-Long Zhang	2012/04/25	chr	-	ecn no	ELX-DG-011358-1	rel level	Released
surface	✓	appr	Pei-Ming Zheng	2012/04/26	product family	CARD EDGE	cat. no.	10117036	rev	B
ASME Y14.5	linear	0.X	±0.50	angular	0°	±2°	www.fci.com	Product - Customer Drw	sheet 4 of 4	