

### Hybrid Couplers

3 dB, 90°

#### Applications

- Balanced Mixers
- Antenna Feed Networks
- Phasing Networks
- Divider/Combiners



#### Features

- Military Grade
- 2-Way Power Split
- Quadrature
- Connectors Per MIL-C-39012
- Rugged Aluminum Housing
- Low VSWR

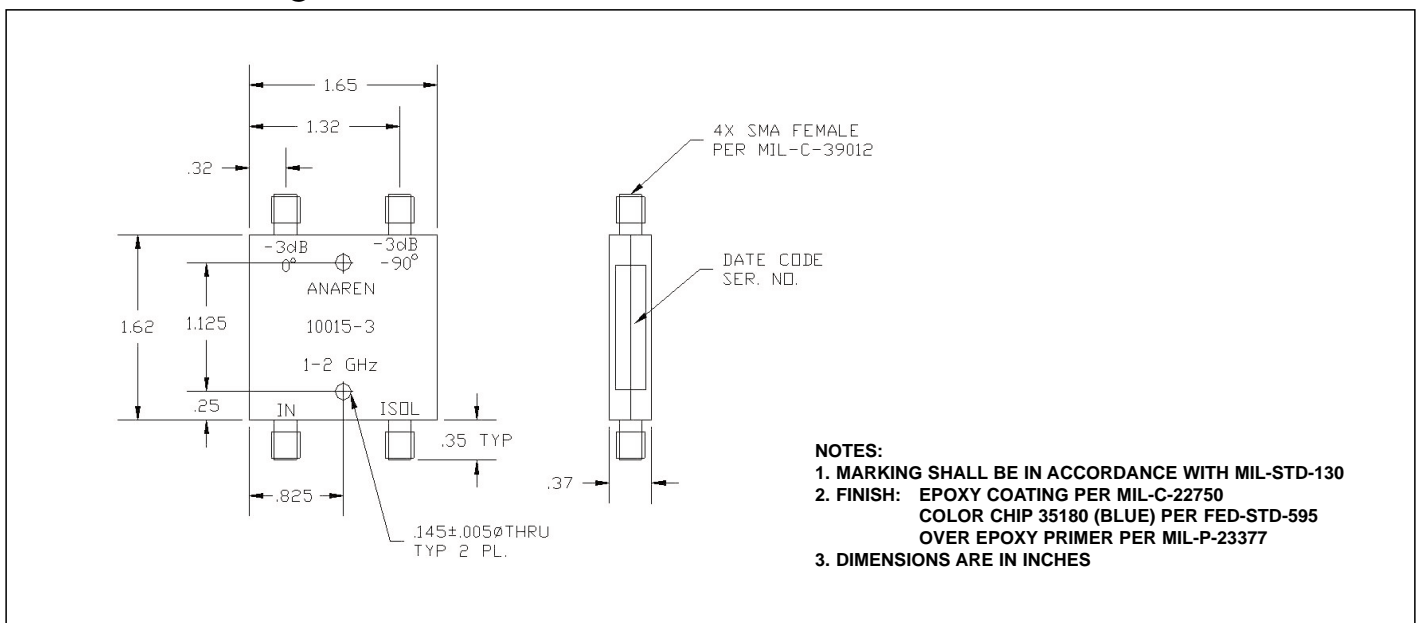
#### Electrical Specifications

Frequency GHz	Isolation dB Min/Typ	Insert. Loss dB Max	VSWR Max : 1
1.0 - 2.0	23/30	0.25	1.25
<b>Amp. Bal.</b>	<b>Phase Bal.</b>	<b>Power</b>	
<b>dB Max</b>	<b>Degrees Max</b>	<b>Ave. CW Watts</b>	
±0.50	±1.5	150	

**Notes:** Impedance: 50 ohms nominal. Meets MIL-E-5400 Class III requirements. Additional screening available for military and space applications.

**Electrical and Mechanical Specifications subject to change without notice.**

#### Outline Drawing



**Sales Desk USA:** Voice: (800) 544-2414 Fax: (315) 432-9121  
**Sales Desk Europe:** Voice: (+44) 23 92 232392 Fax: (+44) 23 92 251369