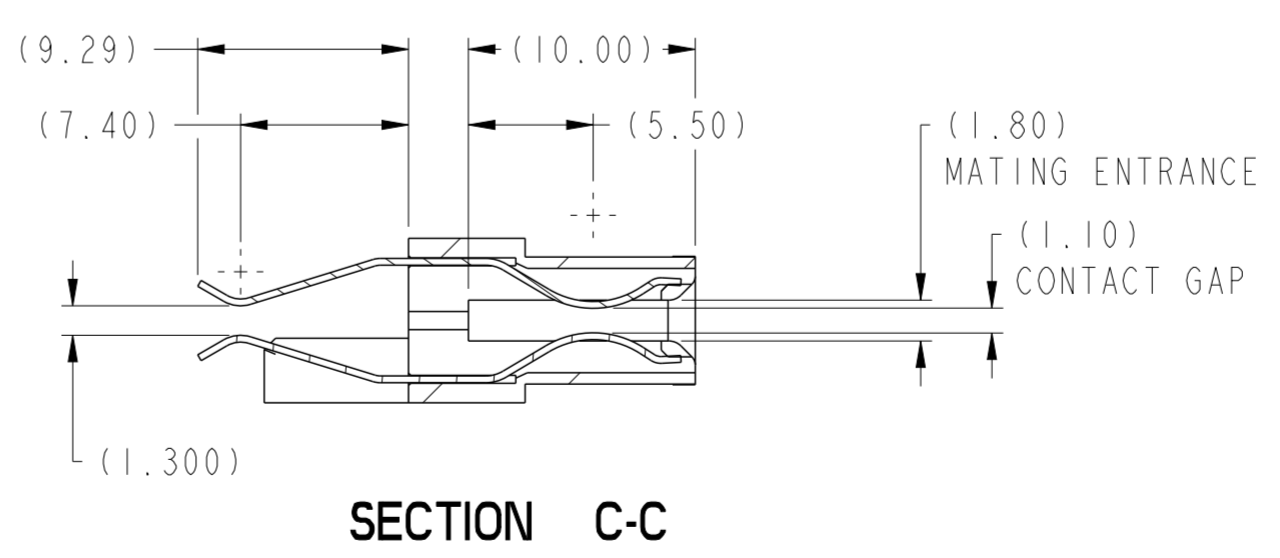
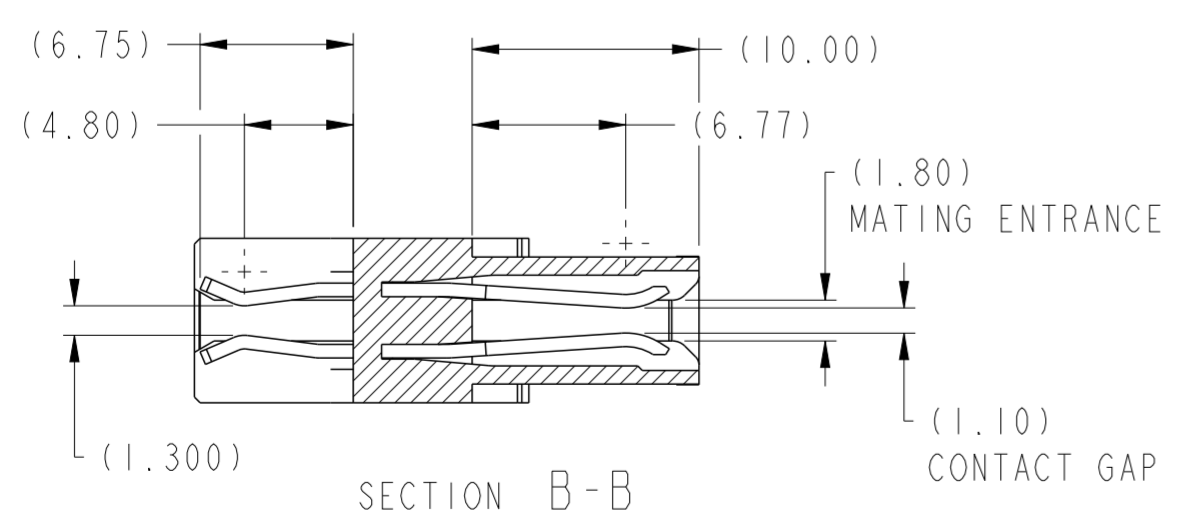
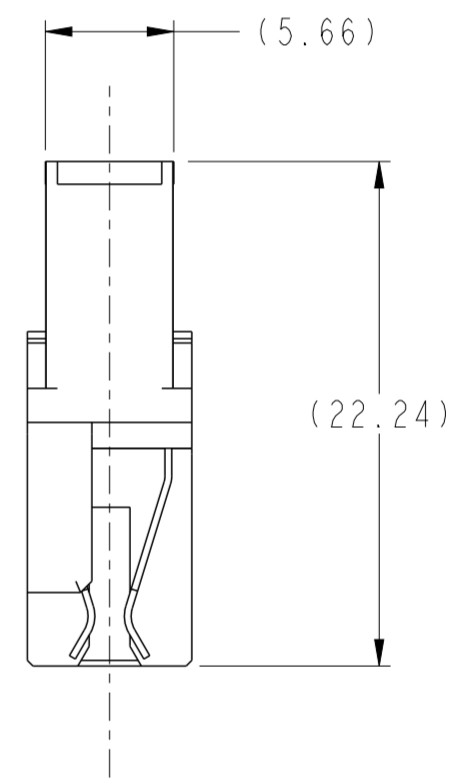
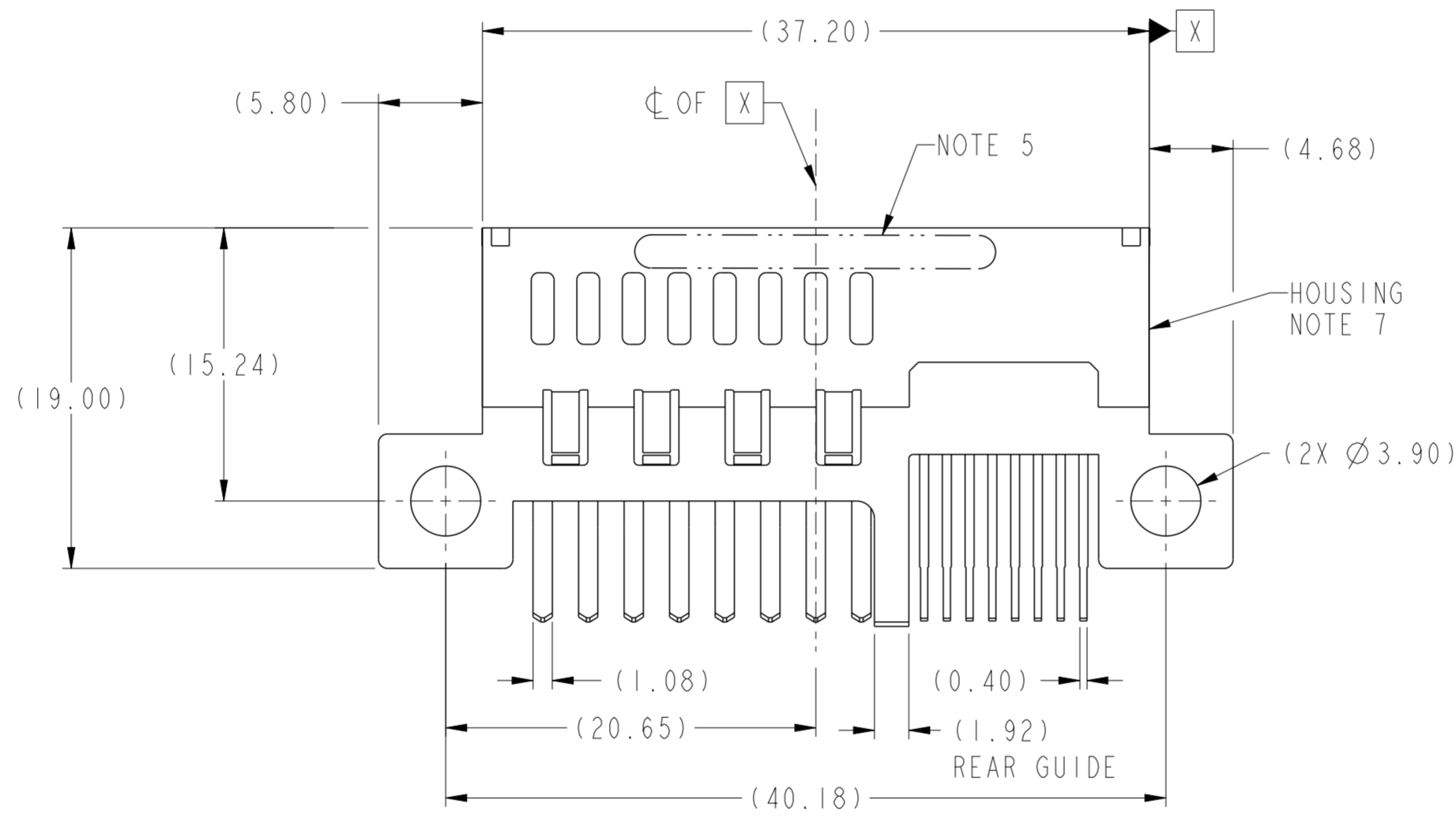
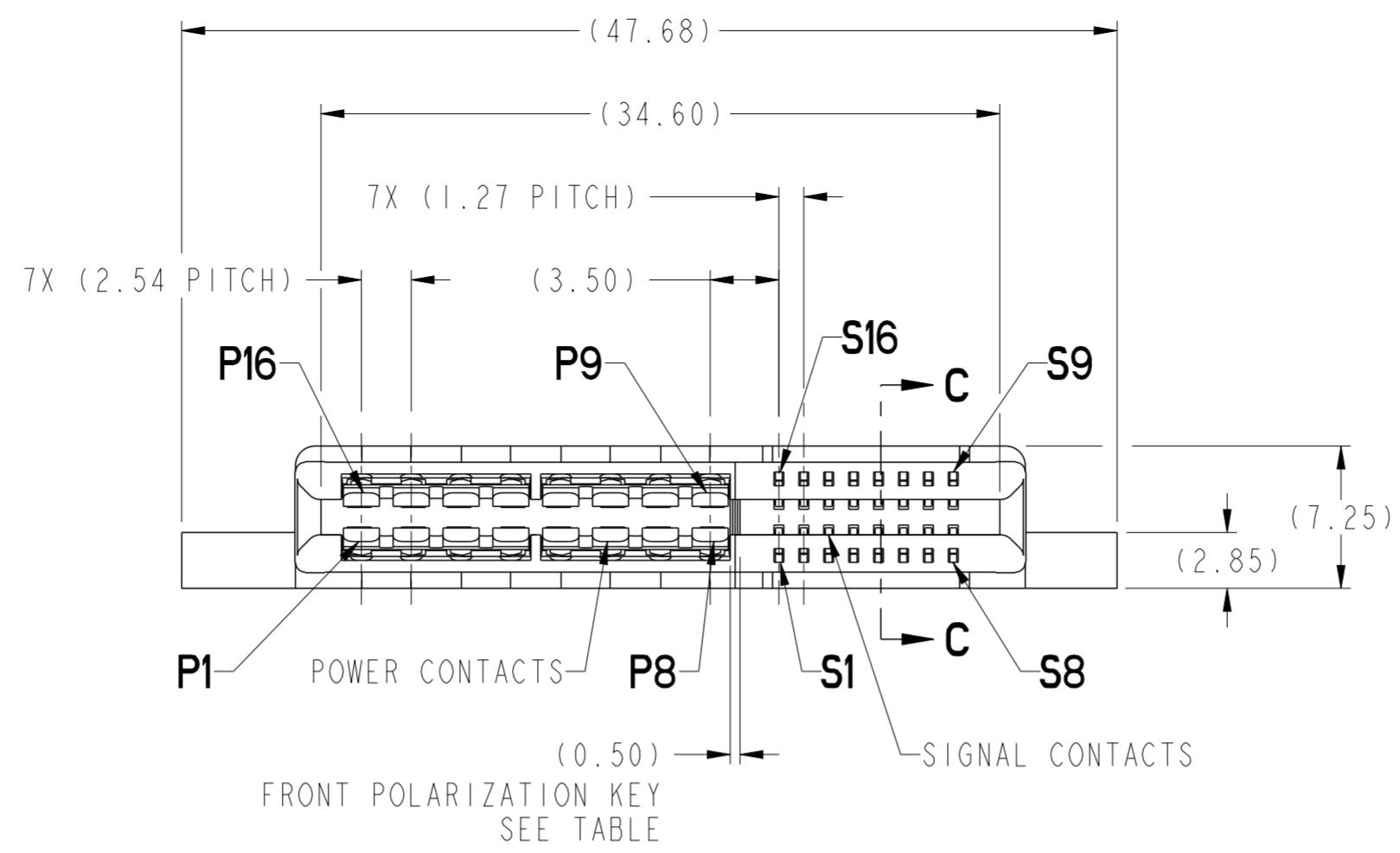


FCI CONFIDENTIAL



This document is the property of and embodies CONFIDENTIAL and PROPRIETARY information of FCI. No part of the information shown on this document may be used in any way or disclosed to others without the written consent of FCI. Copyright FCI.



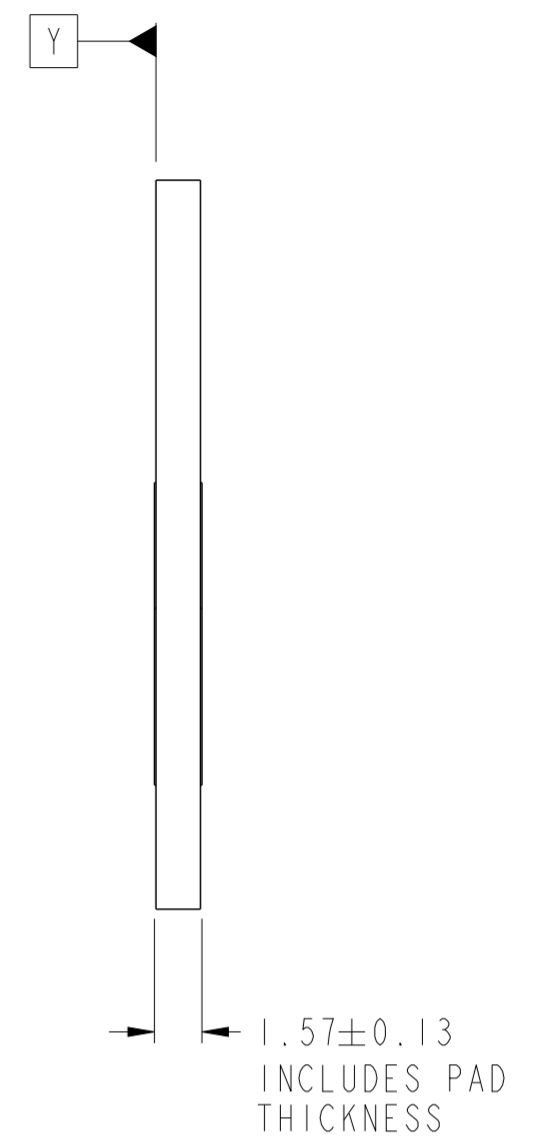
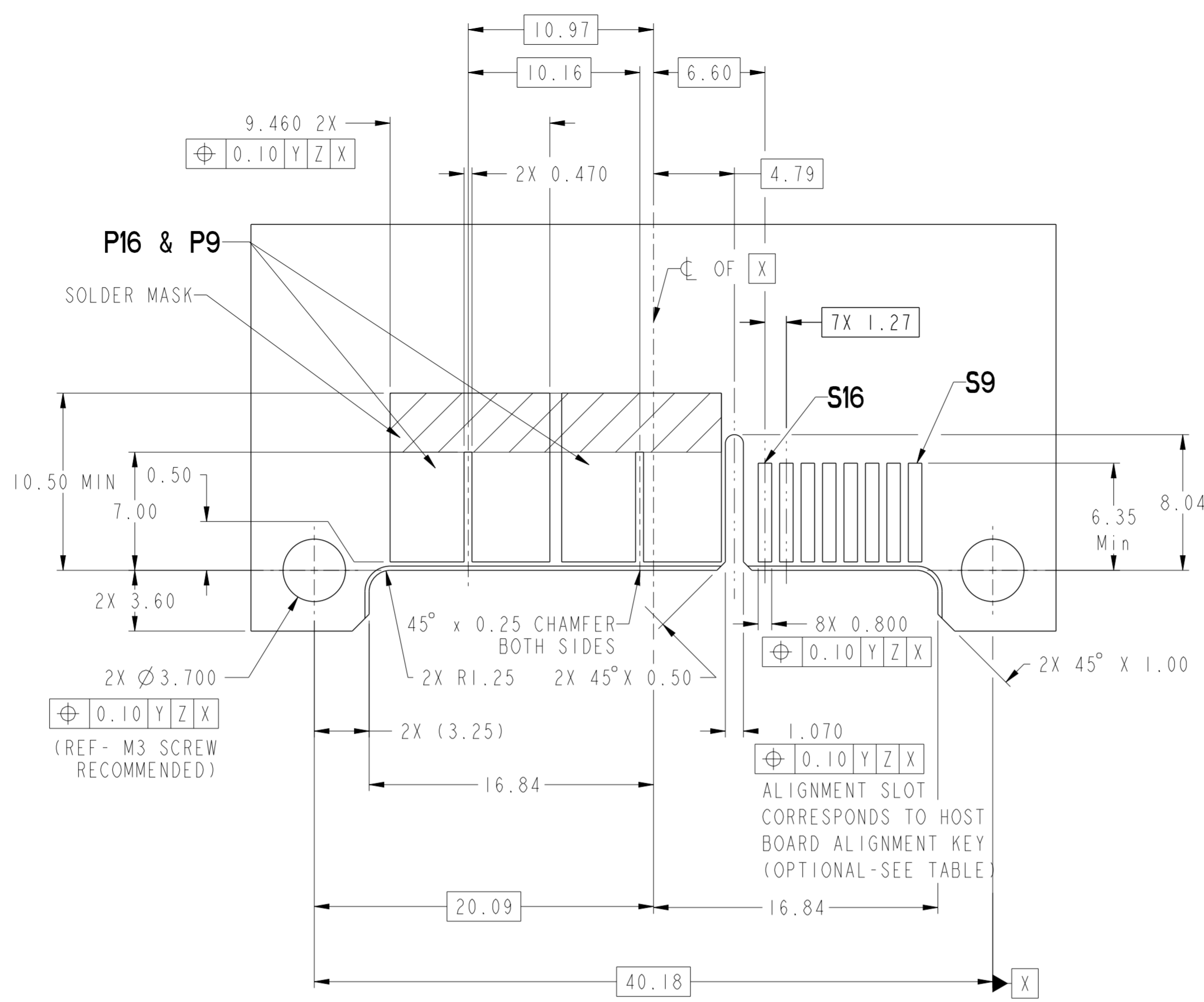
TOLERANCES UNLESS OTHERWISE SPECIFIED		tolerance std	material	dr	Wei-Long Zhang	2011/05/11	projection	MM	size	A2	scale	3:1
linear	X.	±0.5	mat code	eng	Wei-Long Zhang	2011/09/16		CARD EDGE	ecn no	ELX-DG-006021-1	rel level	Released
	0.X	±0.3	heat treat	chr	Jon Qin	2011/09/16						
	0.XX	±0.1	plating/finish	appr	Pei-Ming Zheng	2011/09/16	product family					
	0.XXX	±0.05	spec ref			RECEPTACLE (16P-16S) HPCE - (STRADDLE MOUNT)		divg no	10118169			
0.XXXX	±0.025	surface	model name	10118169		www.fci.com	cat. no.	Product - Customer Drw		sheet 1 of 4		
angular	0°	±2°	model revision	D								

PDS: Rev :B

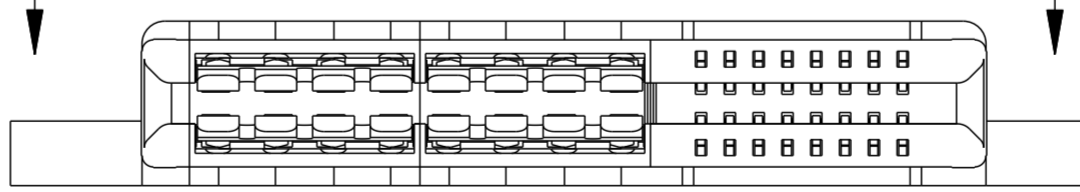
STATUS:Released

Printed: Sep 16, 2011

FCI CONFIDENTIAL



RECOMMENDED PCB LAYOUT AS VIEWED



This document is the property of and embodies CONFIDENTIAL and PROPRIETARY information of FCI. No part of the information shown on this document may be used in any way or disclosed to others without the written consent of FCI. Copyright FCI.

dr	Wei-Long Zhang	2011/05/11	projection	MM	size	A2	scale	3:1
eng	Wei-Long Zhang	2011/09/16			ecn no	ELX-DG-006021-1	rel level	Released
chr	Jon Qin	2011/09/16						
appr	Pai-Ming Zheng	2011/09/16	product family	CARD EDGE	rel level	Released		
		<b>RECEPTACLE (16P-16S)</b>		dng no 10118169	rev <b>B</b>			
www.fci.com		cat. no.	-		Product - Customer Drw		sheet 2 of 4	

PDS: Rev :B

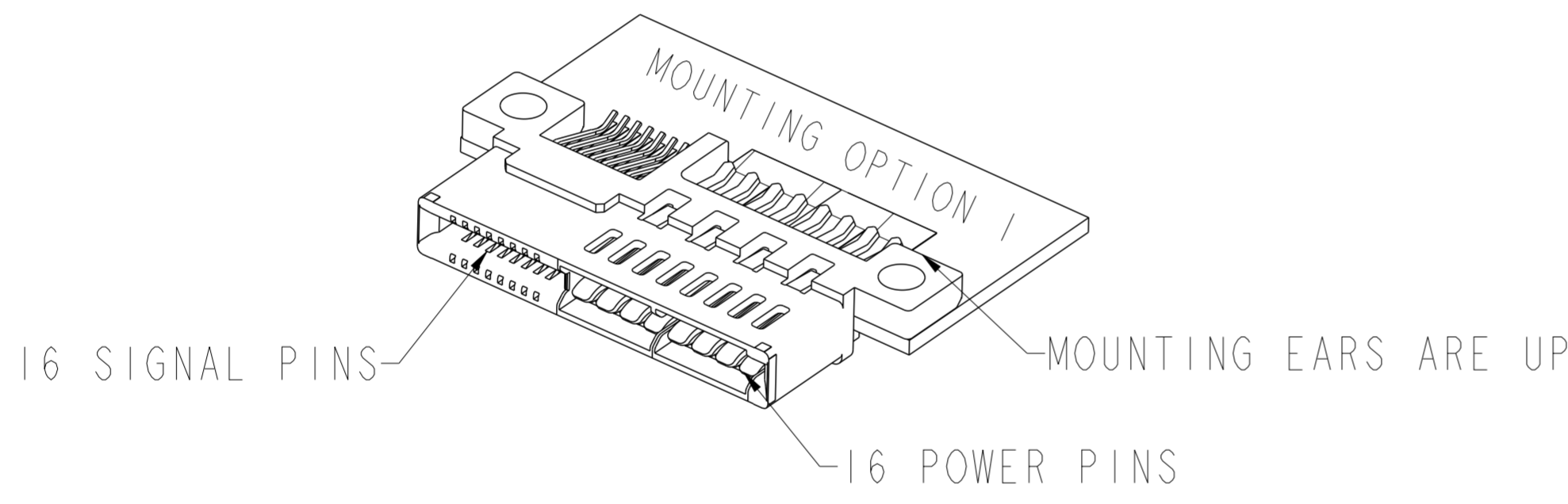
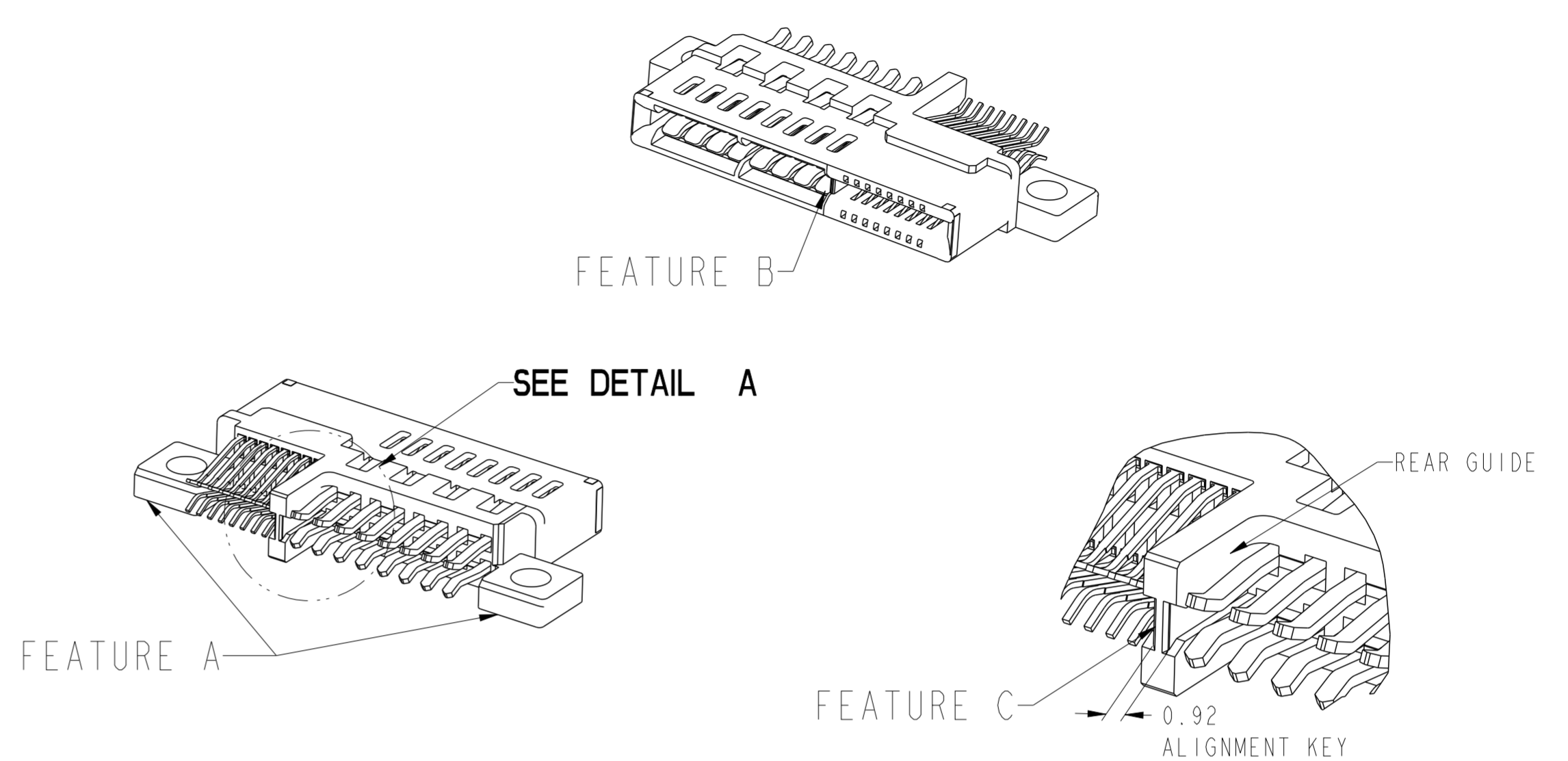
STATUS:Released

Printed: Sep 16, 2011

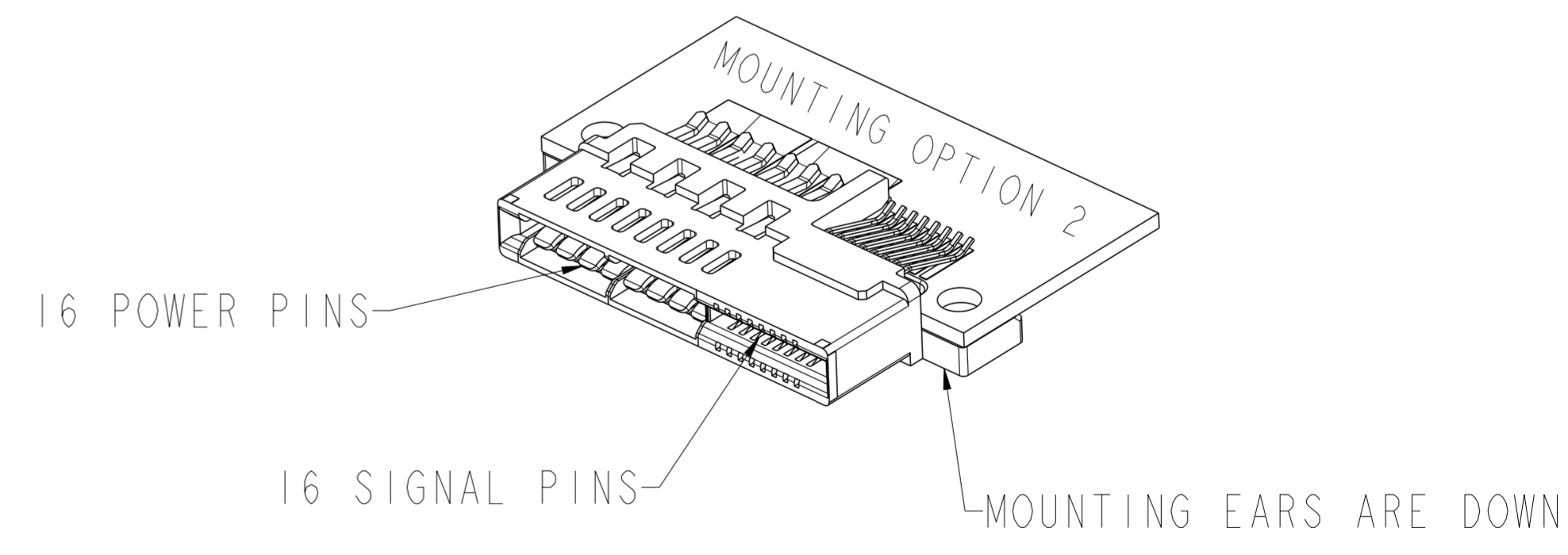


FCI CONFIDENTIAL

PART NUMBER	FEATURE C HOST BOARD ALIGNMENT KEY (SEE NOTE 8)	FEATURE A MOUNTING EARS	FEATURE B FRONT POLARIZATION KEY
10118169-001LF	YES	YES	NO
10118169-002LF		YES	YES
10118169-003LF		NO	NO
10118169-004LF		NO	YES
10118169-005LF	NO	YES	NO
10118169-006LF		YES	YES
10118169-007LF		NO	NO
10118169-008LF		NO	YES



**DETAIL A**  
**SCALE 4:1**



**NOTES:**

- CONNECTOR MATERIALS:  
HOUSING: HIGH TEMPERATURE THERMAL PLASTIC, BLACK  
UL 94V-0 COMPLIANT  
CONTACTS: HIGH PERFORMANCE COPPER ALLOY.
- CONTACT FINISH REF. GS-12-604 SECTION 5.2.
- PRODUCT SPECIFICATION: GS-12-604.
- APPLICATION SPECIFICATION: GS-20-128.
- PRODUCT MARKING (FCI - PART NUMBER & DATE CODE) ON HOUSING IN AREA SHOWN.
- PACKAGING MEETS FCI SPECIFICATION GS-14-937.
- HOUSING COMPONENT WILL WITHSTAND EXPOSURE TO 260°C PEAK TEMPERATURE FOR 60 SECONDS IN A CONVECTION, INFRA-RED, OR VAPOR PHASE REFLOW OVEN.
- HOST BOARD ALIGNMENT KEY IS RECOMMENDED TO ENSURE PROPER ALIGNMENT OF SOLDER TAILS WITH HOST BOARD PADS.

dr	Wei-Long Zhang	2011/05/11	projection	MM	size	A2	scale	4:1	
eng	Wei-Long Zhang	2011/09/16			ecn no	ELX-DG-006021-1			
chr	Jon Qin	2011/09/16			rel level	Released			
appr	Pei-Ming Zheng	2011/09/16	product family	CARD EDGE	rel level	Released			
		title	RECEPTACLE (16P-16S)		dwg no	10118169		rev	B
www.fci.com		cat. no.	-		Product - Customer Drw	sheet 4 of 4			

This document is the property of and embodies CONFIDENTIAL and PROPRIETARY information of FCI. No part of the information shown on this document may be used in any way or disclosed to others without the written consent of FCI. Copyright FCI.