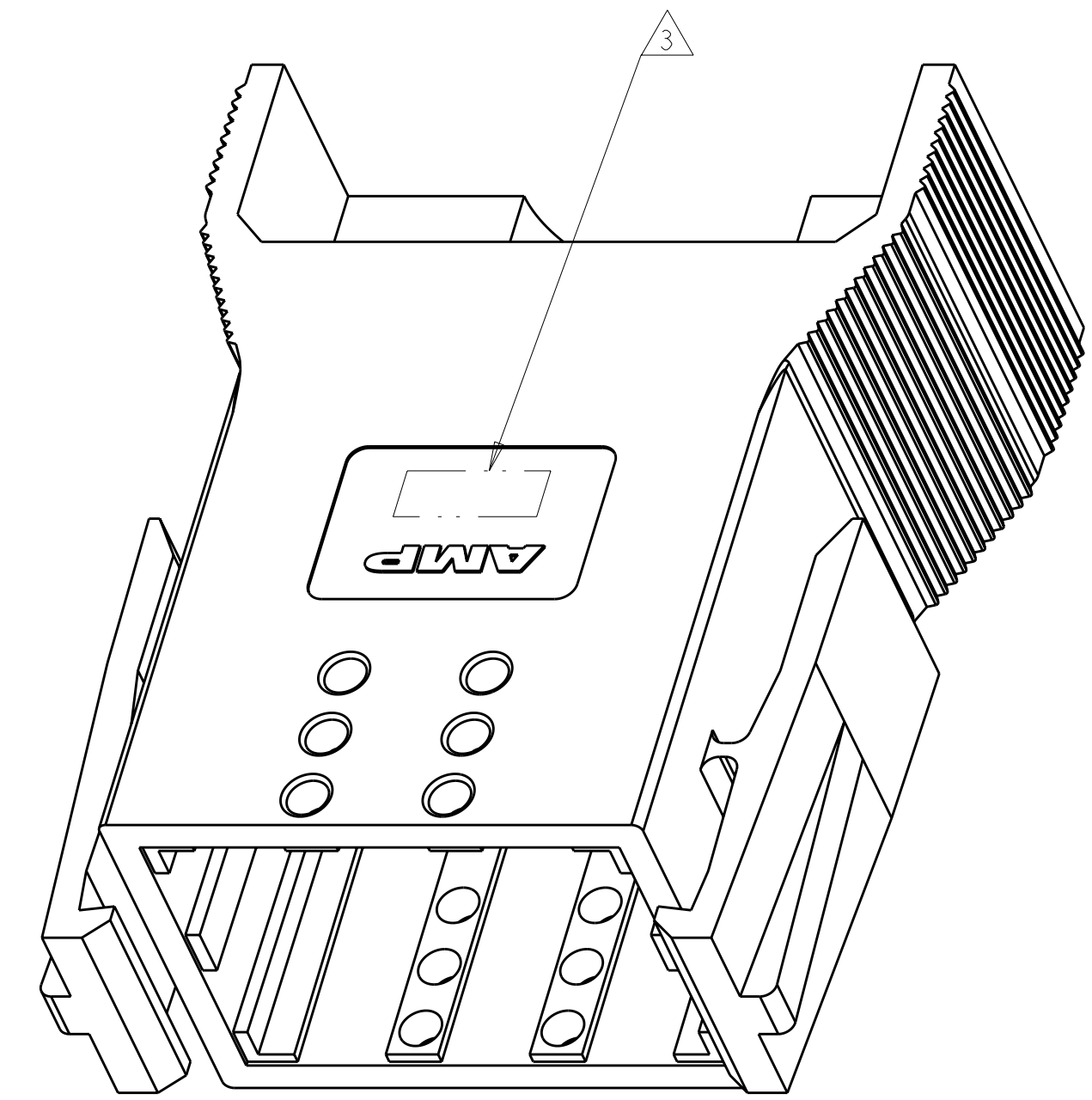
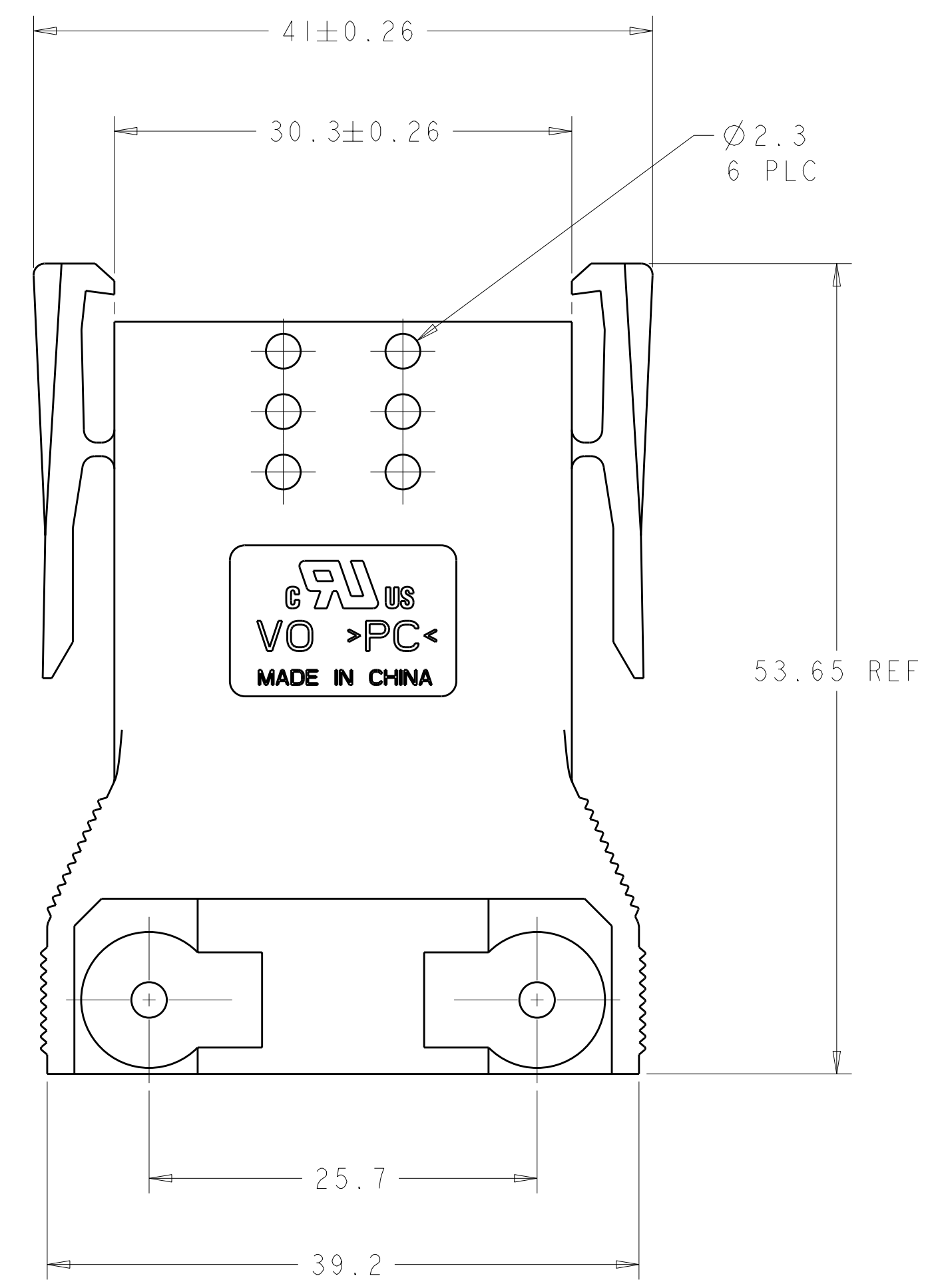
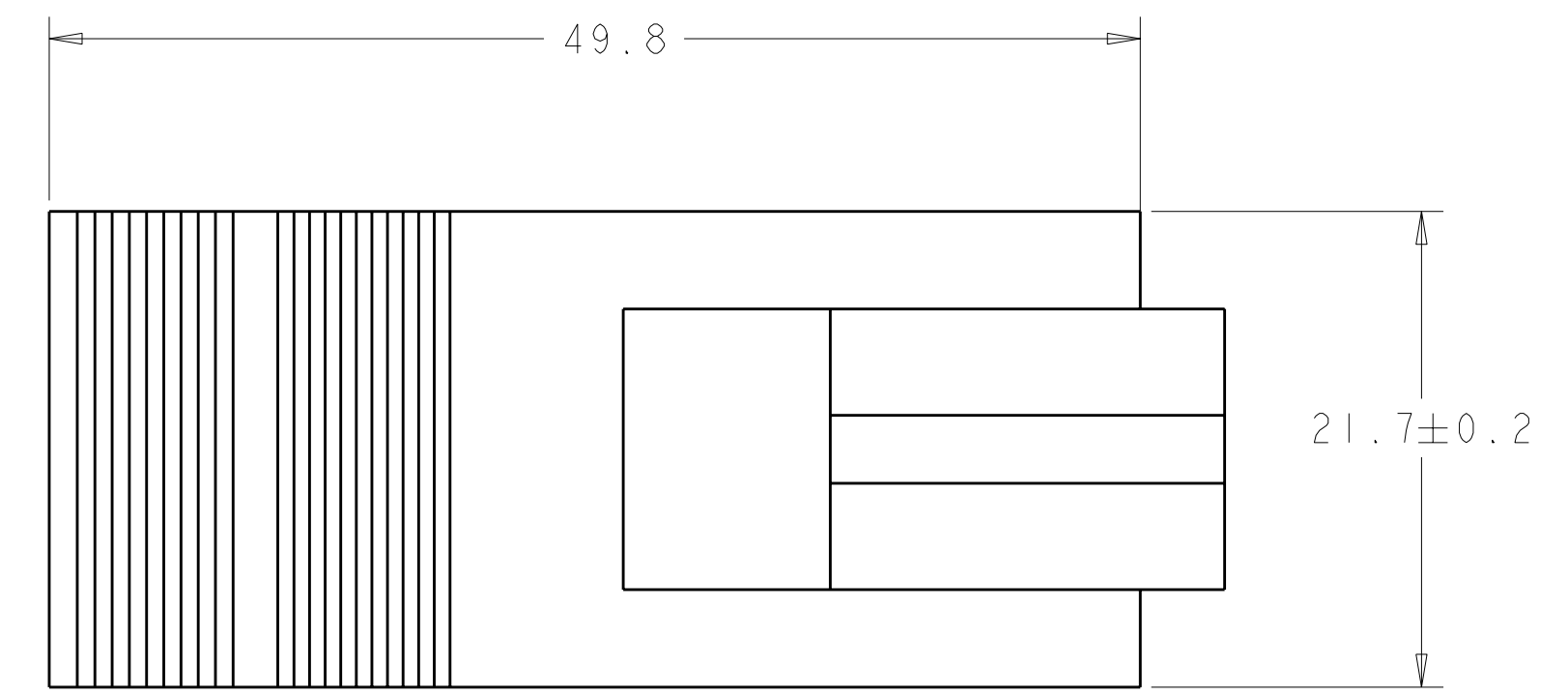
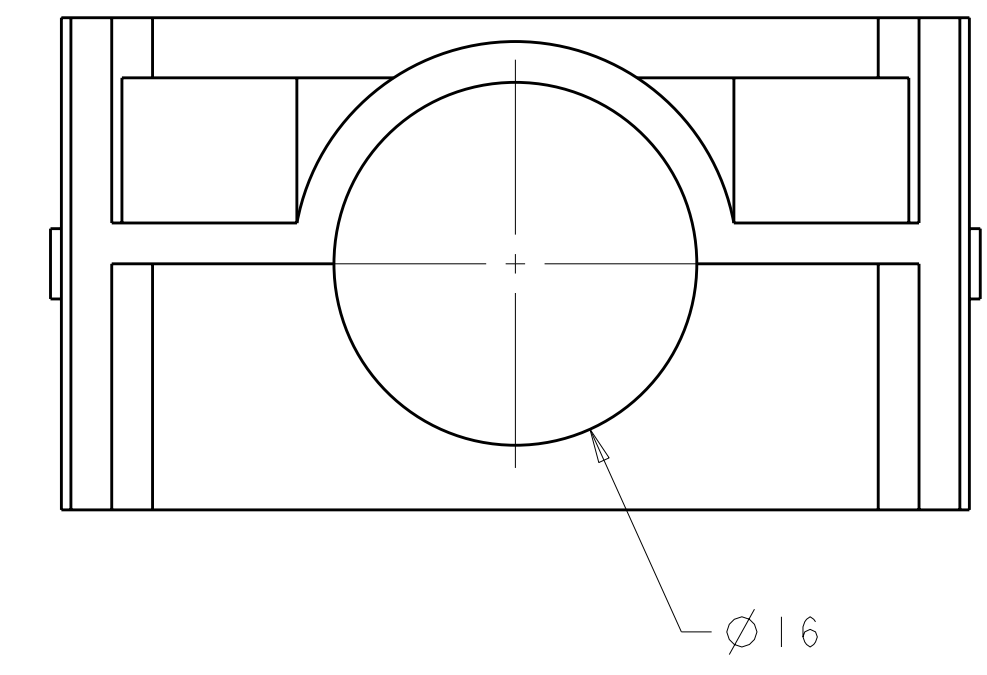


LOC	DIST	REVISIONS			
FT	0	REV	DATE	DWN	APVD
		B	REVISED PER ECO-11-005167	03JUN2011	HMR DY



- 1. MATERIAL: POLYCARBONATE 94-V0
- 2. COLOR: BLACK
- △ 3. TE OR TE CONNECTIVITY LOGO LOCATED APPROX IN THIS AREA.



1604084-1
 PART NUMBER

THIS DRAWING IS A CONTROLLED DOCUMENT.		DWN: B. HAYMAKER 09JAN2002	TE Connectivity	
DIMENSIONS: mm		CHK: K. KETELSLEGER 14MAR02		
TOLERANCES UNLESS OTHERWISE SPECIFIED:		APVD: K. KETELSLEGER 14MAR02	NAME: HOUSING, 2X3 POWER SERIES PLUG WITH LATCH	
0 PLC ±0.13 1 PLC ±0.13 2 PLC ±0.13 3 PLC ±0.13 4 PLC ±0.13 ANGLES ±°		PRODUCT SPEC: -	SIZE: CAGE CODE: DRAWING NO: A100779C=1604084	
MATERIAL: -		APPLICATION SPEC: -	RESTRICTED TO: -	
FINISH: -		WEIGHT: -	SCALE: 3:1 SHEET 1 OF 1 REV B	
CUSTOMER DRAWING				

Mouser Electronics

Authorized Distributor

Click to View Pricing, Inventory, Delivery & Lifecycle Information:

[TE Connectivity:](#)

[1604084-1](#)