



Introducing IP20 Field Installation RJ-45 Modular Plug - Angled 45°

Based on the Industrial Ethernet Field Installation RJ-45 Modular Plug, this new version is equipped with a flexible 45° cable outlet and features (e.g. a robust termination technology) that allows a timesaving field installation without any special tool. The new industrial ethernet modular plug is used typically in compact cabinet applications in the automation industry.

Utilizing our existing "common core" design, this product can be applied in the field without the use of tooling. Designed for use in Industrial environments, the connector features a rugged metal locking tab. The optional supporting frame allows a secondary locking mechanism, resulting in a secure interconnection.



KEY FEATURES

- 45° cable outlet, variable in orientation
- Strain relief
- Tool-less robust termination technology
- Suitable for fast ethernet (4 pos.) and gigabit ethernet (8 pos.)
- For use with 4 wire AWG 22 and 8 wire AWG 26 cables
- Rugged metal locking tab
- Secondary supporting frame locking feature
- Jack side is realized with wire terminated jacks, couplers or PCB jacks
- Provides reliable connections in harsh environments
- Solid or stranded wires can be terminated
- IP20 sealing performance

APPLICATIONS

- Compact cabinet applications
- Industrial communication
- Renewable energy
- Industrial environments
- DataNet
- Wind turbines
- Automation

MECHANICAL

- Metallic locking tab for locking
- Polarized for proper mating
- Temperature range : -40°C to +70°C [-40°F to +158°F]
- 45° cable outlet can be mounted in 4 orientations

ELECTRICAL

- Meets TIA/EIA 568 category 5e requirements
- Compliant to IEC60603-7-1
- Rated voltage : 24V DC
- Rated current : 500mA per pin
- Durability : 750 cycles

MATERIALS

- Housing : UL approved
- Pass through modular jack : UL approved
- UV resistant housing material

SPECIFICATIONS

- Product spec #108-78381
- Instruction sheet #1987235-1
- Application specification for industrial ethernet IP20 frame : #114-18961

APPLICATION TOOLING

1981944-1 : Cable stripper

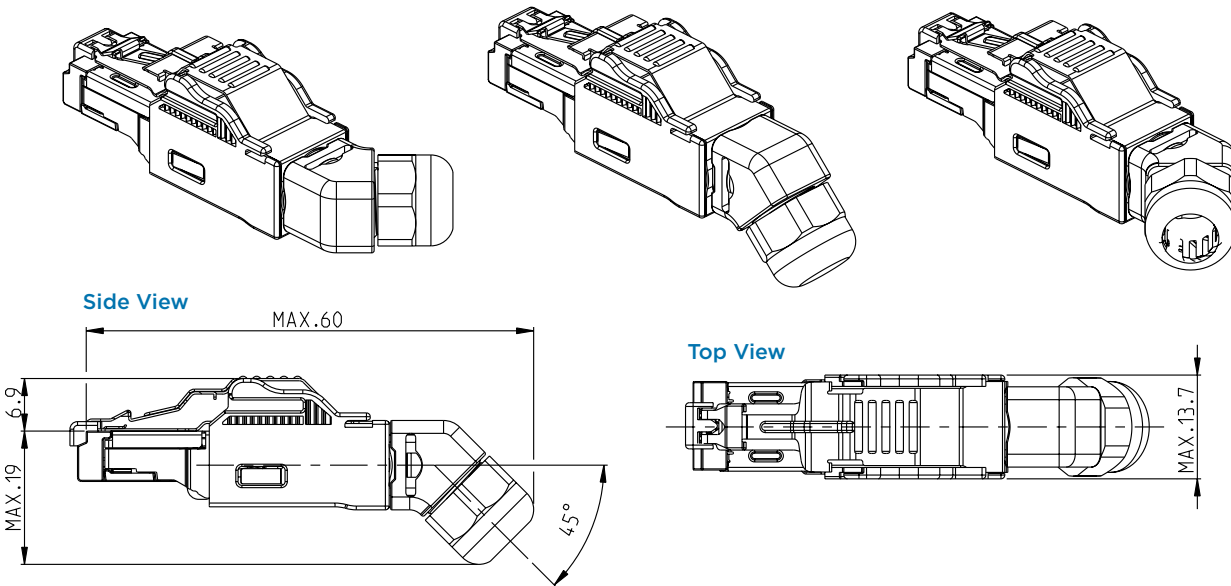
603996-3 : Required blade insert (yellow)

PRODUCT OFFERING

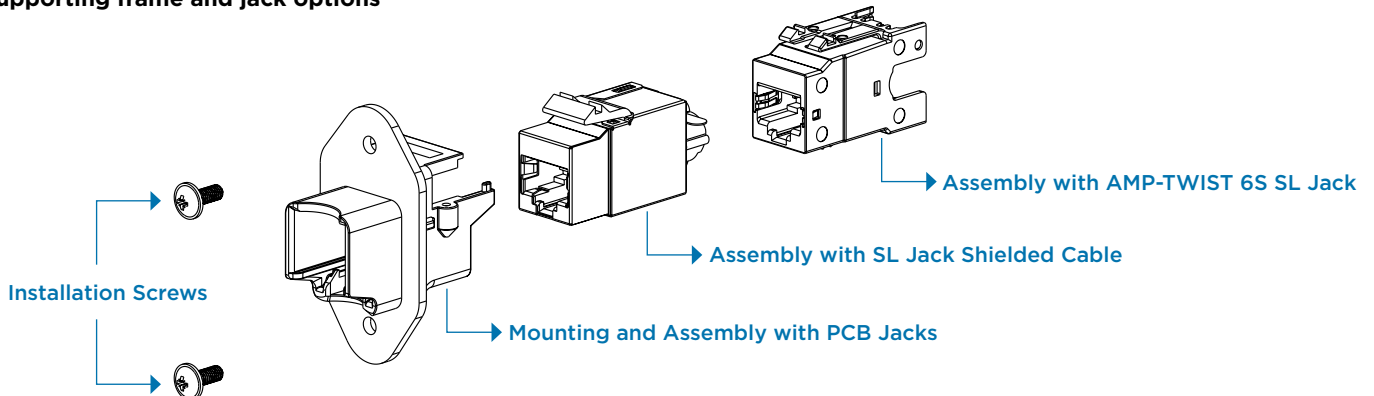
Part Number	Description
1987236-1	4 position plug kit
1987236-2	4 position plug kit (bulk package)
1987236-3	8 position plug kit
1987236-4	8 position plug kit (bulk package)
1987306-1	supporting frame kit
1987671-1	supporting frame kit with AMP-TWIST 6S SL jack
1987672-1	supporting frame kit with SL- Series 110Connect jack
1939707-1	4 wire AWG 22 solid cable
1981897-1	4 wire AWG 22 stranded cable
1939708-1	8 wire AWG 26 stranded cable

PRODUCT DIMENSIONS

Cable orientation outleted options



Supporting frame and jack options



FOR MORE INFORMATION

www.tycoelectronics.com/industrial

Technical Support

Internet:	www.tycoelectronics.com/help
USA:	+1 (800) 522-6752
Canada:	+1 (905) 470-4425
Mexico & Central America:	+52 (0) 55-1106-0814
South America:	+55 (0) 11-2103-6000
Germany:	+49 (0) 6251-133-1999
UK:	+44 (0) 800-267666
France:	+33 (0) 1-3420-8686
Netherlands:	+31 (0) 73-6246-999
China:	+86 (0) 400-820-6015

Part numbers in this brochure are RoHS Compliant*, unless marked otherwise.

*as defined www.tycoelectronics.com/leadfree

Tyco Electronics Corporation

Harrisburg, PA

tycoelectronics.com

© 2010 Tyco Electronics Corporation. All Rights Reserved.

9-1773457-9 CIS PDF 06/2010

AMP-TWIST, TE (logo) and Tyco Electronics are trademarks of the Tyco Electronics group of companies and its licensors.

Other products, logos, and Company names mentioned herein may be trademarks of their respective owners.

While Tyco Electronics has made every reasonable effort to ensure the accuracy of the information in this catalog, Tyco Electronics does not guarantee that it is error-free, nor does Tyco Electronics make any other representation, warranty or guarantee that the information is accurate, correct, reliable or current. Tyco Electronics reserves the right to make any adjustments to the information contained herein at any time without notice. Tyco Electronics expressly disclaims all implied warranties regarding the information contained herein, including, but not limited to, any implied warranties of merchantability or fitness for a particular purpose. The dimensions in this catalog are for reference purposes only and are subject to change without notice. Specifications are subject to change without notice. Consult Tyco Electronics for the latest dimensions and design specifications.

