

MICRO SWITCH

FREEPORT ILLINOIS, U.S.A
A DIVISION OF HONEYWELL
FED. MFG. CODE 91929

SWITCH - BASIC

CATALOG LISTING
ISE 2-6

ISE 2-6

PAGE 1 OF 1

M

DRAWING NUMBER

8

ISSUE 9

REPLACES

RELEASE NO.

CHECK

CHECK

5 AUG 82

5 AUG 82

82

26 JUL

82

REVISIONS

A	CO-51463
	KAG 26 JUL 82
B	CO57041A
	CJH 21 MAR 85
C	CO94274
	DLM MAR 99

FORMTEK

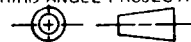
FO-52848-A

DRAWN

KAG

THIS DRAWING COVERS A PROPRIETARY ITEM AND IS THE PROPERTY OF MICRO SWITCH, A DIVISION OF HONEYWELL. THIS DRAWING IS NOT TO BE COPIED OR USED WITHOUT THE APPROVAL OF MICRO SWITCH.

THIRD ANGLE PROJECTION



CHARACTERISTICS

OPERATING FORCE ----- 5-17 OZ
RELEASE FORCE ----- 4 OZ MIN
RELEASE TRAVEL ----- .004 MIN
DIFFERENTIAL TRAVEL ----- .004 MAX
OVERTRAVEL ----- .003 MIN

ELECTRICAL DATA

CONTACT ARRANGEMENT
S P N C

250 VAC ----- 5 AMP
30 VOLTS DC RATING
INDUCTIVE ----- SEA LEVEL -- 3 AMP
50,000 FT -- 2.5 AMP
RESISTIVE ----- SEA LEVEL -- 5 AMP
50,000 FT -- 5 AMP
MAXIMUM INRUSH ----- 24 AMP

SCALE FULL

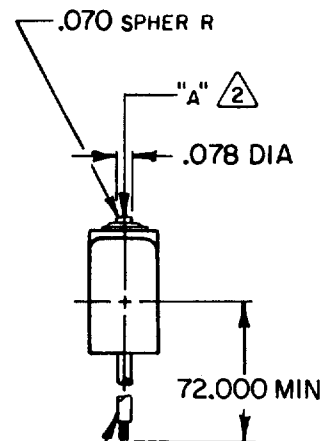
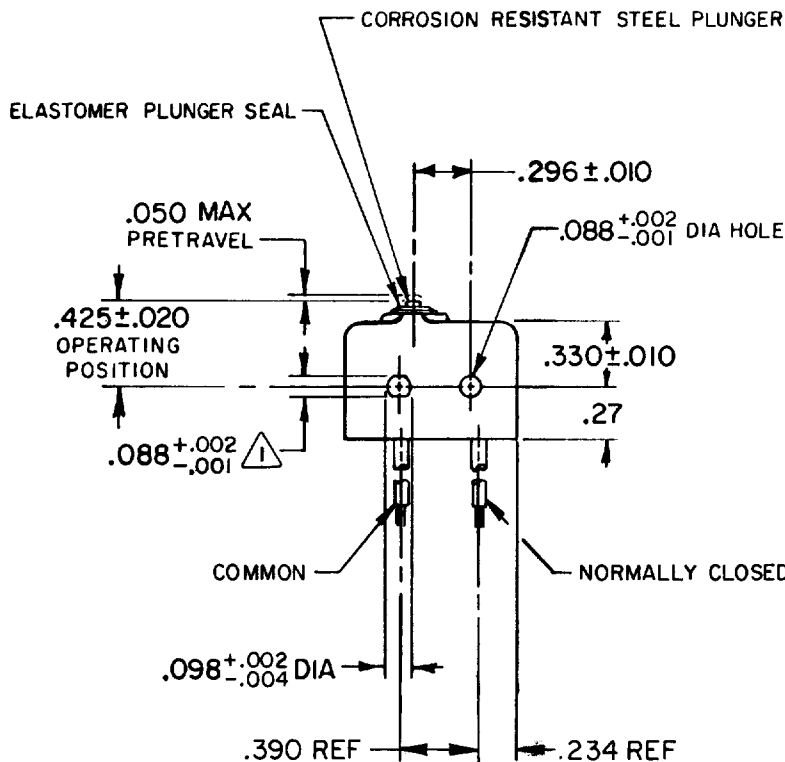
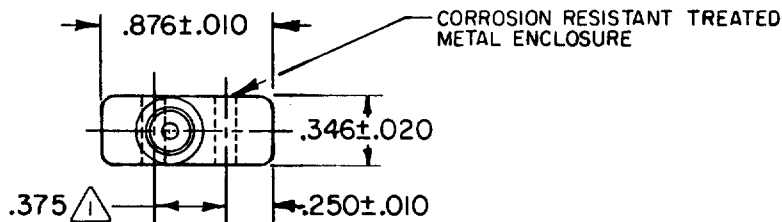
DO NOT SCALE PRINT

TOLERANCES
APPLY TO DESIGN UNITS. CONVERSIONS ARE ONLY FOR REFERENCE. UNLESS NOTED, TOLERANCES ARE ±

DIM.	TOL.	DIM.	TOL.
mm	mm/in	in	mm/in
NO PLACES	X	1/04	X X
ONE PLACE	X,X	0.4/018	X X X
TWO PLACES	X,X,X	0.16/008	X X X X
THREE PLACES	X,X,X,X	0.13/005	X X X X X
ANGLES			

DESIGN UNITS SI METRIC US CUSTOMARY

WEIGHT Δ 3



(2) NO. 20 WIRE LEAD PER MIL-W-22759/11 EMBEDDED IN EPOXY CASTING RESIN

NOTES

- Δ 1 MOUNTING HOLES WILL ACCEPT .087 MAX DIA PINS OR SCREWS ON .375±.002 CENTERS
- Δ 2 ACTUATION IN LINE WITH ARROW "A" IS RECOMMENDED
- Δ 3 WEIGHT OF SWITCH ONLY IS .26 OZ MAX
WEIGHT OF SWITCH WITH WIRE LEADS IS 1.72 OZ MAX

Mouser Electronics

Authorized Distributor

Click to View Pricing, Inventory, Delivery & Lifecycle Information:

[Honeywell:](#)

[1SE2-6](#)