

# SERIES 100 SWITCHES

## TOGGLE SWITCHES - MINIATURE

c **RL** us



### SPECIFICATIONS

Contact Rating:	See contact material options
Life Expectancy:	40,000 make-and-break cycles
Contact Resistance:	10 mΩ max. typical initial @ 2-4 VDC 100 mA for both silver and gold plated contacts
Insulation Resistance:	1,000 MΩ min.
Dielectric Strength:	1,000 V RMS @ sea level
Operating Temperature:	-30° C to 85° C

### MATERIALS

Case:	Diallyl Phthalate (DAP)
Toggle Handle:	Brass, chrome plated
Switch Support:	Brass or steel, tin plated
Bushing:	Brass, nickel plated
Housing:	Stainless steel
Contacts / Terminals:	Silver or gold plated copper alloy

### FEATURES & BENEFITS

- ▶ Up to 4 poles available
- ▶ Variety of switching functions
- ▶ Miniature
- ▶ Multiple actuator & bushing options

### APPLICATIONS/MARKETS

- ▶ Telecommunications
- ▶ Instrumentation
- ▶ Networking
- ▶ Medical equipment

### HOW TO ORDER

SERIES 100	MODEL NO.	ACTUATOR	BUSHING	TERMINATION	CONTACT MATERIAL	SEAL E	HARDWARE
	SP1	T1†	B1	M1	Q = Silver R = Gold	E = Epoxy Sealed at Base of Terminal	H = Hardware
	SP2*	T2	B2	M2			
	SP3	T3	B3	M3			
	SP4*	T4	B4	M5			
	SP5*	T5	B5	M6			
	DP1	T6	B6	M61			
	DP2*	T7	B8	M7			
	DP3	T8	B9	M71			
	DP4*	T9	B11	VS2			
	DP5*	K1	B12	VS3			
	DP6	K2	B13	VS5*			
	DP7*		B15	M64*			
	DP8*	† Optional Toggle Cap (T1 Only):	B16	VS21*			
	3P1	T100-1 = White T100-2 = Black	B25**	VS31*			
	3P2*		B26**				
	3P3						
	3P4*						
	3P5*						
	4P1						
	4P2*						
	4P3						
	4P4*						
	4P5*						
	4P6						
	4P7*						
	4P8*						

▶ ▶ ▶ Example Ordering Number  
100-SP1-T4-B2-M1-R-E

Notes: \* Not available with the K1 and K2 actuator options.

\*\* Available only with the K1 and K2 actuator options.

Specifications subject to change without notice.

## SPDT



**SCHEMATIC**



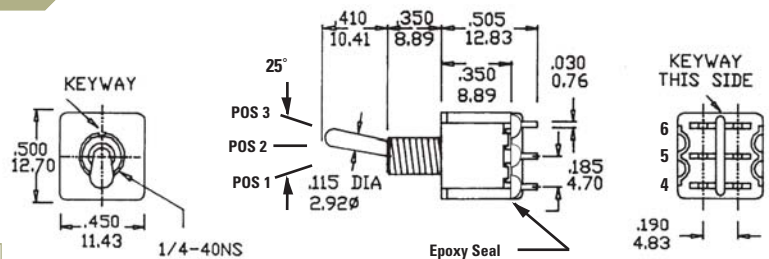
Model No.	POS 1	POS 2	POS 3
SP-1	ON	NONE	ON
SP-2	ON	NONE	(ON)
SP-3	ON	OFF	ON
SP-4	(ON)	OFF	(ON)
SP-5	ON	OFF	(ON)
Term. Comm.	2-3	OPEN	2-1

( ) = Momentary

## DPDT



**SCHEMATIC**



Model No.	POS 1	POS 2	POS 3
DP-1	ON	NONE	ON
DP-2	ON	NONE	(ON)
DP-3	ON	OFF	ON
DP-4	(ON)	OFF	(ON)
DP-5	ON	OFF	(ON)
DP-7	ON	ON	(ON)
DP-8	(ON)	ON	(ON)
Term. Comm.	2-3, 5-6	OPEN	2-1, 5-4

DP-6	ON	ON	ON
Term. Comm.	2-3, 5-6	2-3, 5-4	2-1, 5-4

( ) = Momentary

## 3PDT



**SCHEMATIC**



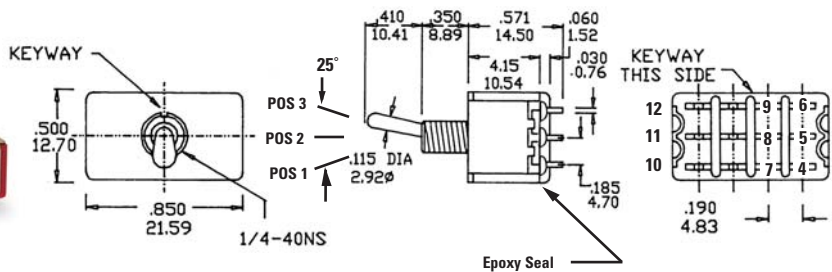
Model No.	POS 1	POS 2	POS 3
3P-1	ON	NONE	ON
3P-2	ON	NONE	(ON)
3P-3	ON	OFF	ON
3P-4	(ON)	OFF	(ON)
3P-5	ON	OFF	(ON)
Term. Comm.	2-3, 5-6 8-9	OPEN	2-1, 5-4 8-7

( ) = Momentary

## 4PDT



**SCHEMATIC**



Model No.	POS 1	POS 2	POS 3
4P-1	ON	NONE	ON
4P-2	ON	NONE	(ON)
4P-3	ON	OFF	ON
4P-4	(ON)	OFF	(ON)
4P-5	ON	OFF	(ON)
4P-7	ON	ON	(ON)
4P-8	(ON)	ON	(ON)
Term. Comm.	2-3, 5-6 8-9 11-12	OPEN	2-1, 5-4 8-7 11-10

4P-6	ON	ON	ON
Term. Comm.	2-3, 5-6 8-9 11-12	2-3, 5-4 8-9 11-10	2-1, 5-4 8-7 11-10

( ) = Momentary

TACT SWITCHES  
NAVIGATION SWITCHES  
PUSHBUTTON SWITCHES  
TOGGLE SWITCHES  
ROCKER SWITCHES  
SLIDE SWITCHES  
SNAP-ACTION SWITCHES  
DIP SWITCHES  
KEYLOCK SWITCHES  
ROTARY SWITCHES  
DETECTOR SWITCHES  
CAP OPTIONS

# SERIES 100 SWITCHES

## TOGGLE SWITCHES - MINIATURE

### 3 - WAY WIRING DIAGRAM SCHEMATICS



### ACTUATOR OPTIONS



\*Add .070 (1.78) for B3, B4 bushings, subtract .020 (0.51) for B6 bushing.



### BUSHING OPTIONS

**B1 THD STD**

**B2 NON-THD**



**B3 THD STD**

**B4 NON-THD**



B4 is standard for M6, M7 and VS termination options.

**B5 HIGH TORQUE**



**B6 HIGH TORQUE**



**B8 METRIC THD**



**B9 SPLASH PROOF**



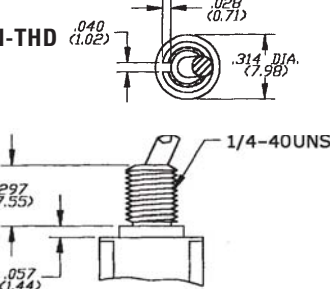
**B13**



Use with T7 and T8 actuators only

**B11 THD STD**

**B12 NON-THD**



Use with T6 actuator only

**B15 THD STD**

**B16 NON-THD**



Use with T6 actuator only

**B25**



**B26**



# SERIES 100 SWITCHES

## TOGGLE SWITCHES - MINIATURE

TACT  
SWITCHES

NAVIGATION  
SWITCHES

PUSHBUTTON  
SWITCHES

TOGGLE  
SWITCHES

ROCKER  
SWITCHES

SLIDE  
SWITCHES

SNAP-ACTION  
SWITCHES

DIP  
SWITCHES

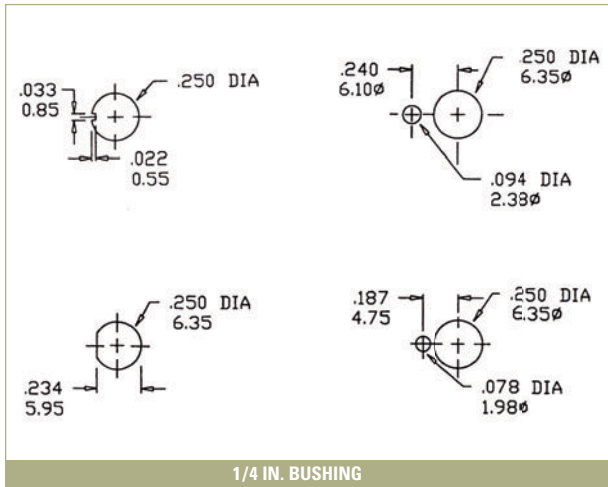
KEYLOCK  
SWITCHES

ROTARY  
SWITCHES

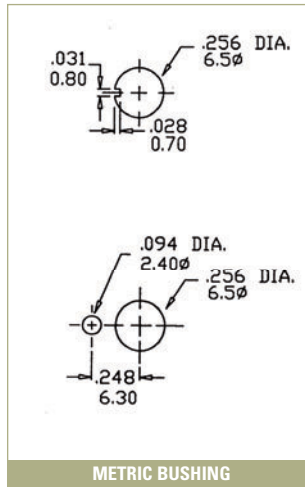
DETECTOR  
SWITCHES

CAP  
OPTIONS

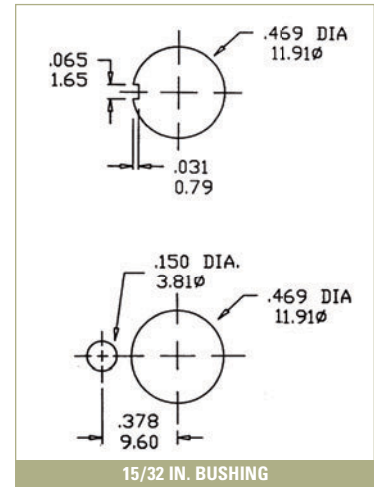
### BUSHING OPTIONS - PANEL MOUNTING



1/4 IN. BUSHING



METRIC BUSHING

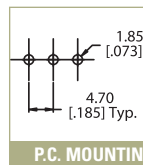
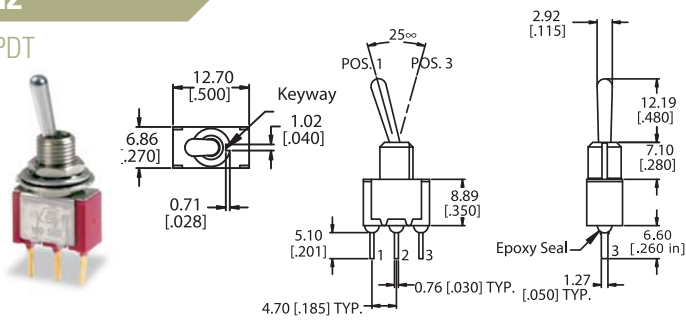


15/32 IN. BUSHING

### TERMINATION OPTIONS

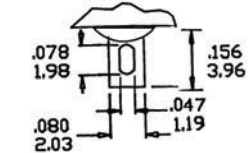
#### M2

SPDT

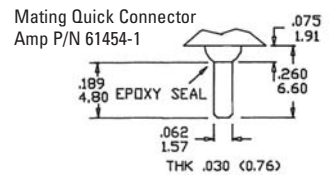


P.C. MOUNTING

#### M1 SOLDER LUG

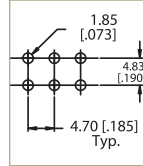
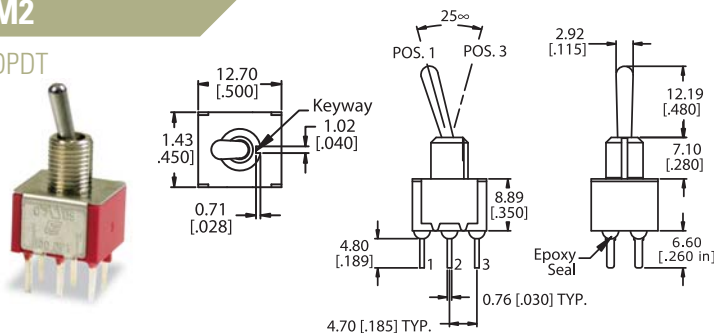


#### M3 QUICK CONNECT



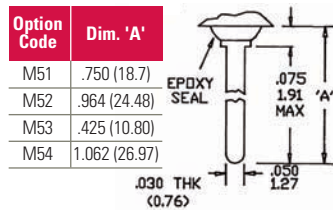
#### M2

DPDT



P.C. MOUNTING

#### M5 WIRE WRAP

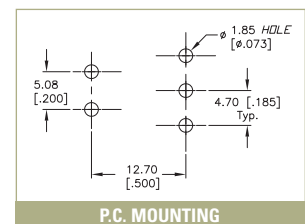


#### M6

SPDT



Switch Support



P.C. MOUNTING



### M6

DPDT



P.C. MOUNTING

### M7

SPDT



P.C. MOUNTING

### M7

DPDT



P.C. MOUNTING

### M7

3PDT



P.C. MOUNTING

### M7

4PDT



P.C. MOUNTING

# SERIES 100 SWITCHES

## TOGGLE SWITCHES - MINIATURE

TACT SWITCHES

NAVIGATION SWITCHES

PUSHBUTTON SWITCHES

TOGGLE SWITCHES

ROCKER SWITCHES

SLIDE SWITCHES

SNAP-ACTION SWITCHES

DIP SWITCHES

KEYLOCK SWITCHES

ROTARY SWITCHES

DETECTOR SWITCHES

CAP OPTIONS

### VS2-VS3

SPDT



Option Code	Dim. 'A'
VS2	.460 (11.68)
VS3	.630 (16.00)



P.C. MOUNTING

### VS2-VS3

DPDT



Option Code	Dim. 'A'
VS2	.460 (11.68)
VS3	.630 (16.00)



P.C. MOUNTING

### VS5

DPDT



Option Code	Dim. 'A'
VS5	.630 (16.00)



P.C. MOUNTING

### M61

SPDT



P.C. MOUNTING



### M61

DPDT



### M71

SPDT



### M64

SPDT



TACT SWITCHES

NAVIGATION SWITCHES

PUSHBUTTON SWITCHES

TOGGLE SWITCHES

ROCKER SWITCHES

SLIDE SWITCHES

SNAP-ACTION SWITCHES

DIP SWITCHES

KEYLOCK SWITCHES

ROTARY SWITCHES

DETECTOR SWITCHES

CAP OPTIONS



# SERIES 100 SWITCHES

## TOGGLE SWITCHES - MINIATURE

### VS21-VS31

SPDT



Option Code	Dim. 'A'
VS2	.460 (11.68)
VS3	.630 (16.00)



P.C. MOUNTING

### VS21-VS31

DPDT



Option Code	Dim. 'A'
VS2	.460 (11.68)
VS3	.630 (16.00)



P.C. MOUNTING

### OPTIONAL TOGGLE CAP



Use with T1  
T100-1 WHITE  
T100-2 BLACK



### CONTACT MATERIAL OPTIONS

**Q**

Fixed Terminal:	Silver plated over copper alloy
Moving Contact:	Silver plated over copper alloy
Rating:	5 Amps with resistive load @ 120VAC or 28VDC; 2 Amps with resistive load @ 250VAC

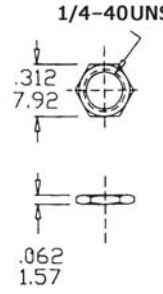
**R**

Fixed Terminal:	Copper alloy with gold plate over nickel plate
Moving Contact:	Copper alloy with gold plate over nickel plate
Rating:	0.4 Volt-Amps (VA) max. @ 20V max. (AC or DC)

**HARDWARE**

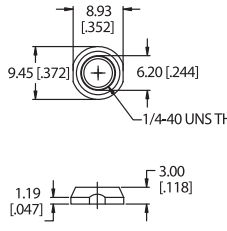
**HDW2 1/4 IN. NUTS**

1/4-40UNS



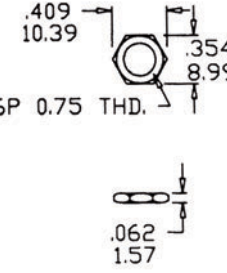
Supplied standard with B1, B3, B5, B6 and B9 options

**HDW3 BLIND DRESSNUT**



1/4-40 UNS THD

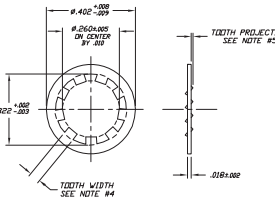
**HDW6 METRIC NUT**



M6P 0.75 THD.

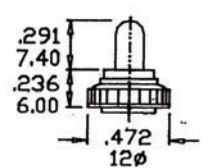
Supplied standard with B8 metric bushing

**HDW11 LOCK WASHER**



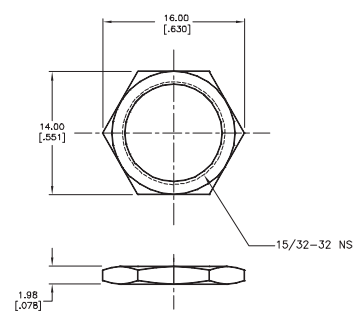
Supplied standard with B1/B3 bushing

**Optional Rubber Hood Sealing E1**



E1= Inch (Std.) for actuator T1, T2 and bushings B1, B3, B5, B6 Optional rubber boot sealing

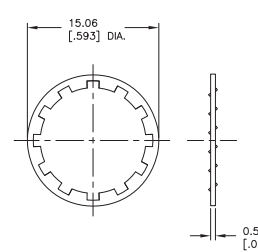
**HDW4 15/32 IN. NUTS**



15/32-32 NS

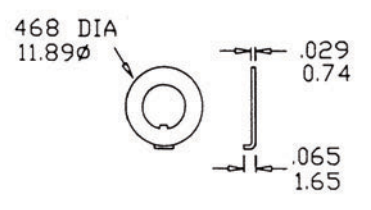
Supplied standard with B13 bushing

**HDW12 LOCK WASHER**



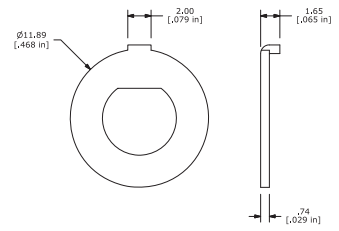
Supplied standard with B13 bushing

**HDW15 LOCKING RING**



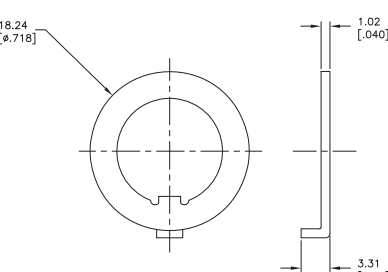
Supplied standard

**HDW16 LOCKING RING**



Supplied with B5 bushing

**HDW17 LOCKING RING**



Supplied with B13 bushing

TACT SWITCHES  
NAVIGATION SWITCHES  
PUSHBUTTON SWITCHES  
TOGGLE SWITCHES  
ROCKER SWITCHES  
SLIDE SWITCHES  
SNAP-ACTION SWITCHES  
DIP SWITCHES  
KEYLOCK SWITCHES  
ROTARY SWITCHES  
DETECTOR SWITCHES  
CAP OPTIONS

# Mouser Electronics

Authorized Distributor

Click to View Pricing, Inventory, Delivery & Lifecycle Information:

## E-Switch:

[100DP1T2B4M6QE](#) [100DP1T6B11M51QEH](#) [100DP1T8B13M1QEH](#) [100SP2T1B1M1QEH](#) [100SP3T4B1M1QEH](#)  
[100SP1T4B1M1QEH](#) [100SP1T1B4M7RE](#) [100SP1T1B4M7QE](#) [100SP1T2B3M2QEH](#) [100DP3T1B9M1QEH](#)  
[100SP1T1B9M1QEH](#) [100SP4T1B9M1QEH](#) [100SP1T2B4VS2QE](#) [100SP3T1B9M1QEH](#) [100DP3T1B4M7QE](#)  
[100DP1T1B9M1QEH](#) [100SP1T8B13M1QEH](#) [100DP5T1B1M1QEH](#) [100SP1T6B12M6RE](#) [100SP3T1B4M6RE](#)  
[1003P2T1B1M1QEH](#) [100SP3T2B4M6RE](#) [100SP1T1B4M6RE](#) [100SP1T1B4M2QE](#) [100SP1T1B4VS2RE](#)  
[100SP1T1B1M51REH](#) [100SP4T2B4M6RE](#) [100DP3T2B4VS2RE](#) [1003P1T1B1M2QEH](#) [100SP1T2B4VS3RE](#)  
[100DP2T8B13M1QEH](#) [1003P1T1B1M1QEH](#) [100DP3T6B2M7QE](#) [100SP1T2B1M1QEH](#) [100DP3T2B1M2QEH](#)  
[100DP1T2B3M1QEH](#) [100SP1T1B1M1QEH](#) [100SP1T1B1M1REH](#) [100SP1T1B1M2QEH](#) [100SP1T1B1M2REH](#)  
[100SP2T2B1M1QEH](#) [100SP1T2B3M1QEH](#) [100SP1T2B4VS2RE](#) [1004P3T1B1M7QEH](#) [100SP1T2B4M7RE](#)  
[100SP1T6B11M2QEH](#) [100SP3T8B13M1QEH](#) [100SP1T6B11M1QEH](#) [100SP3T1B1M2QEH](#) [100SP1T6B11M1REH](#)  
[100SP3T1B1M1REH](#) [100SP3T1B1M1QEH](#) [1003P1T2B4M7RE](#) [1004P1T1B1M1QEH](#) [1004P1T1B1M2QEH](#)  
[1004P3T1B1M1QEH](#) [1004P4T1B1M1QEH](#) [1004P6T1B1M1QEH](#) [100SP4T6B11M2QEH](#) [100SP3T2B4M7RE](#)  
[100SP5T2B4M7RE](#) [1004P1T2B4M7QE](#) [100DP1T2B4VS2RE](#) [100DP4T4B9M2QEH](#) [100SP1T1B6M1QEH](#)  
[100DP6T1B1M2QEH](#) [100SP4T1B1M1QEH](#) [100SP1T2B4M6RE](#) [100SP5T6B11M1QEH](#) [100SP1T2B4M6QE](#)  
[100SP4T2B3M1QEH](#) [100SP2T1B1M2QEH](#) [100SP4T1B1M2QEH](#) [100DP3T4B1M1QEH](#) [100DP1T4B1M1QEH](#)  
[100DP4T6B11M1QEH](#) [100SP3T2B4M7QE](#) [100DP3T8B13M1QEH](#) [100DP1T1B1M2QEH](#) [100DP1T1B1M2REH](#)  
[100DP1T1B1M1REH](#) [100DP2T6B11M1QEH](#) [100DP1T1B1M1QEH](#) [100SP3T2B4VS2QE](#) [100SP3T2B4VS2RE](#)  
[100SP5T2B4M6RE](#) [100DP3T2B3M2QEH](#) [100DP2T1B1M1QEH](#) [100DP4T1B1M1QEH](#) [100SP5T1B1M2QEH](#)  
[100SP3T6B11M2QEH](#) [100SP5T1B1M1QEH](#) [100SP3T6B11M1QEH](#) [100SP1T6B2M7QE](#) [100DP5T6B11M1QEH](#)  
[100SP1T1B2M54QE](#) [100DP3T1B1M2QEH](#) [100SP2T6B11M1QEH](#) [100DP6T1B1M1QEH](#) [100DP3T1B1M1QEH](#)