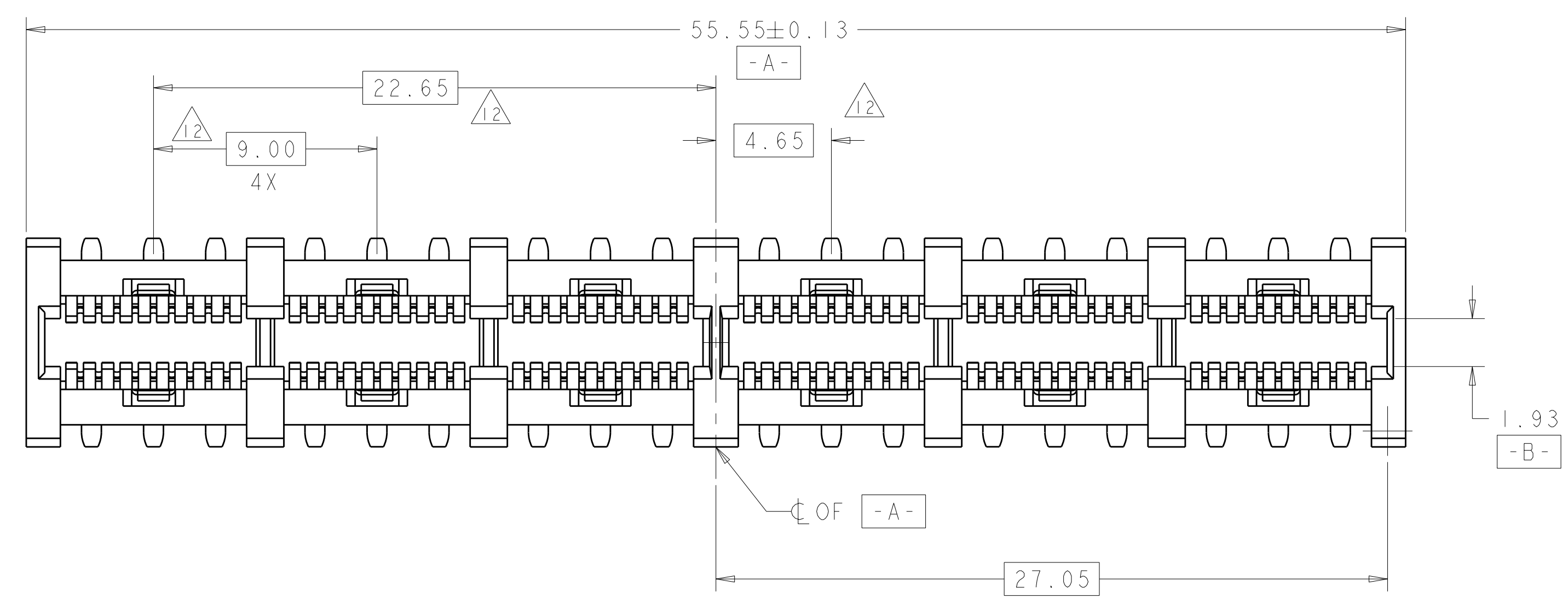
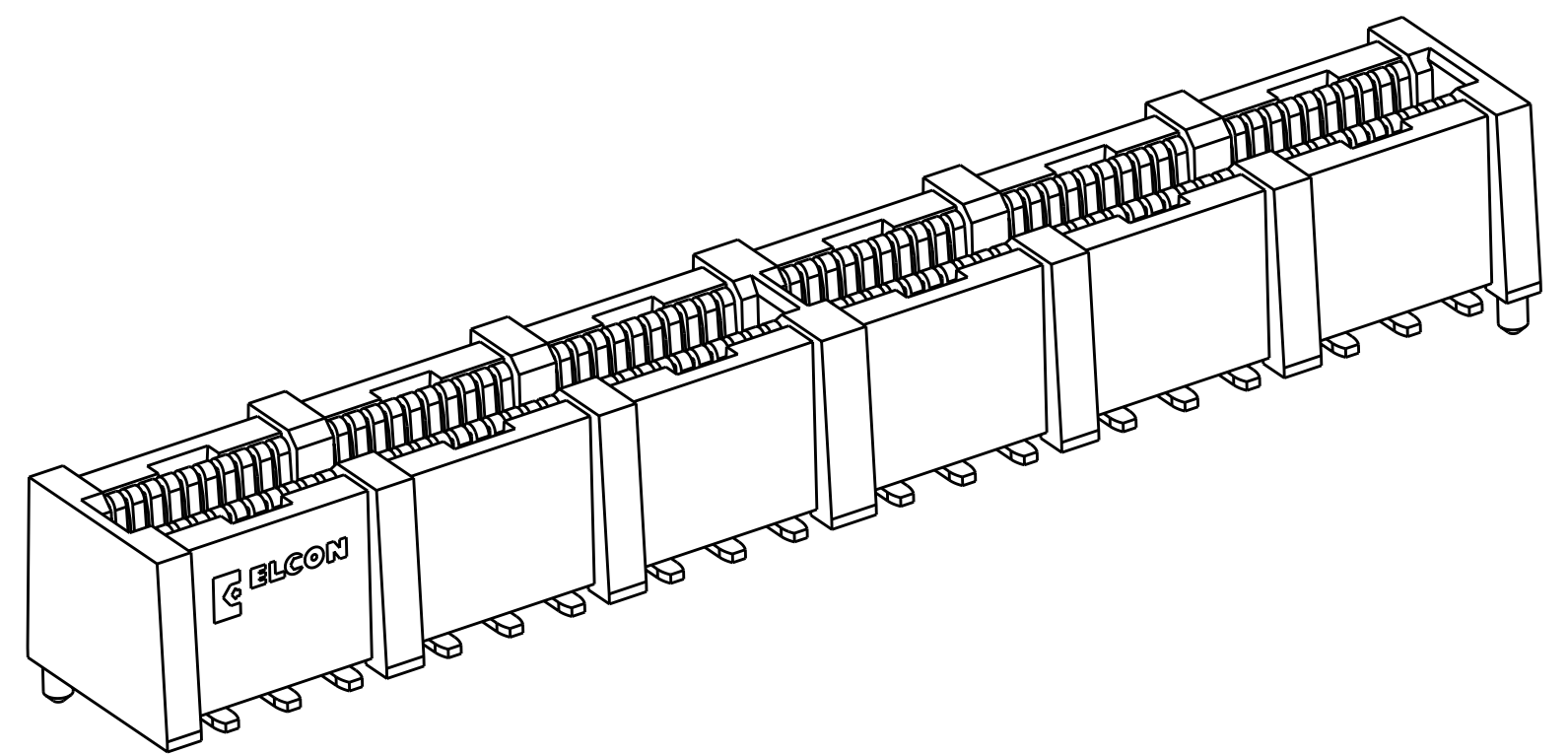
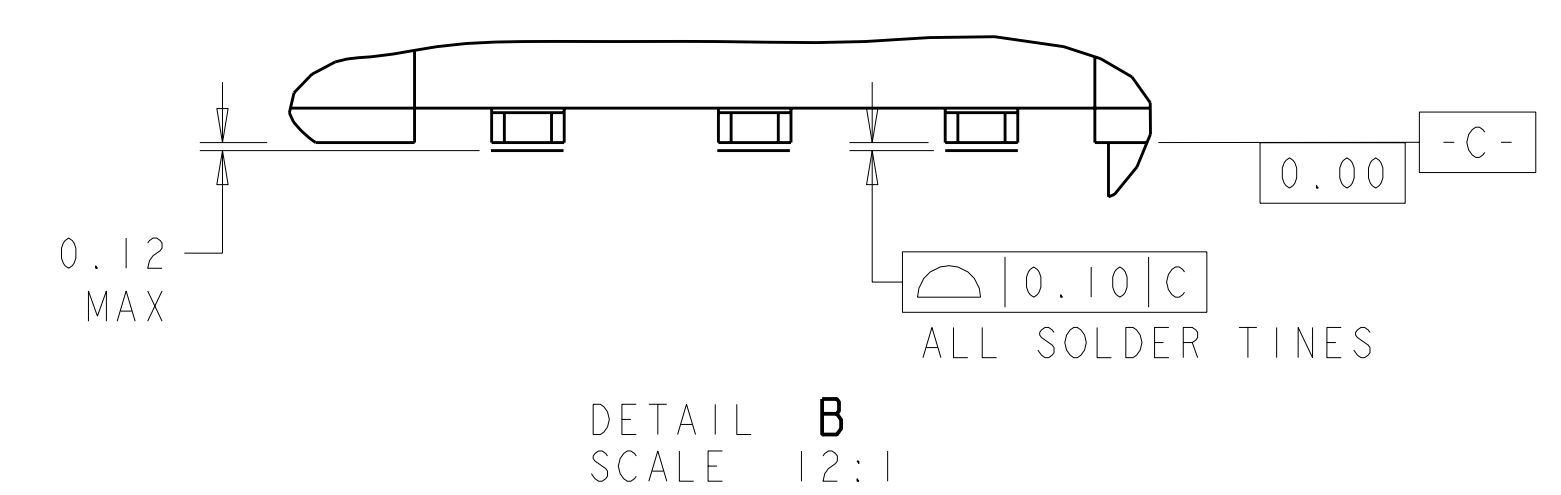
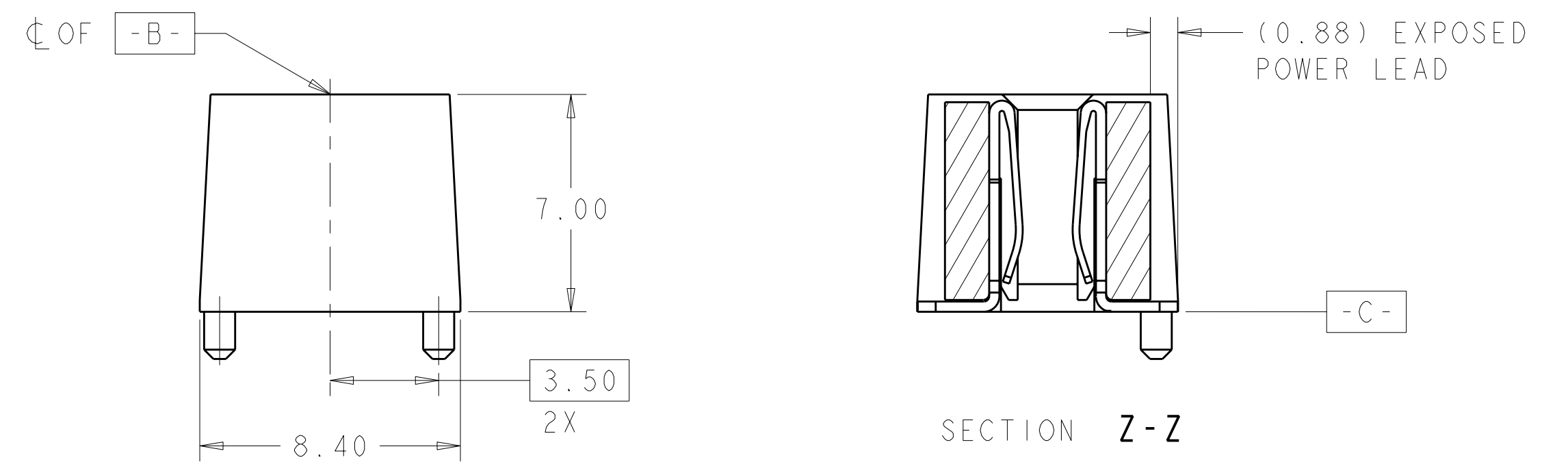
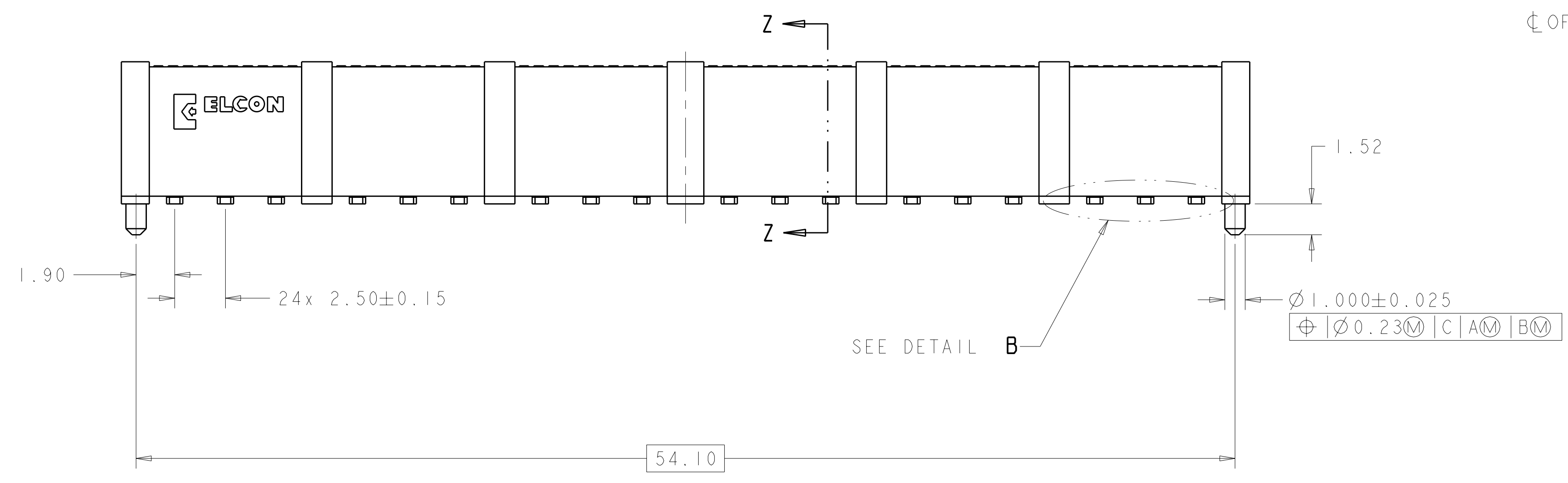


LOC	DIST	REVISIONS					
GP	00	P	LTR	DESCRIPTION	DATE	DWN	APVD
		A		RELEASED PER ECO-09-018442	14AUG2009	RG	RL
		A1		CHANGE PER ECO-09-019916	28AUG2009	MTS	MTS



- PART NUMBER CHANGES AND OR DESIGN CHANGES AFFECTING ITEM INTERCHANGEABILITY REQUIRE PRIOR TYCO ELECTRONICS APPROVAL AND AUTHORIZATION BY REVISION TO THIS DRAWING.
- MATERIAL:
HOUSING: THERMOPLASTIC GLASS REINFORCED, COLOR-BLACK
UL94V-0 FLAMMABILITY RATED
CONTACTS: COPPER ALLOY
- FINISH:
POWER CONTACTS:
1.27µm MIN NICKEL PLATE ALL OVER
MATING AREA-0.76µm MIN GOLD OVER NICKEL PLATE
SMT TAILS-3.05µm MIN TIN OVER NICKEL PLATE
- ITEMS PROVIDED TO THIS SPECIFICATION TO BE PERMANENTLY IDENTIFIED WITH PART NUMBER AND DATE CODE.
- DATUMS AND BASIC DIMENSIONS ESTABLISHED BY CUSTOMER.
- FOR DESIGN OBJECTIVES SEE 108-2301.
- MAXIMUM BURR OF 0.013 ON CARD TAB AREA.
- CONNECTOR ACCEPTS 1.57±0.13 THK. PC BOARD.
- KEEP OUT AREA FOR COMPONENTS ONLY
- RECOMMENDED GOLD FINGER LENGTH FOR RELIABLE CONTACT.
- CONNECTOR MATES WITH TYCO ELECTRONICS P/N 1926785-1 OR 6651711-1, OR EQUIVALENT.
- MEASURED CENTERLINE OF HOUSING CIRCUIT WITHOUT CONTACTS.



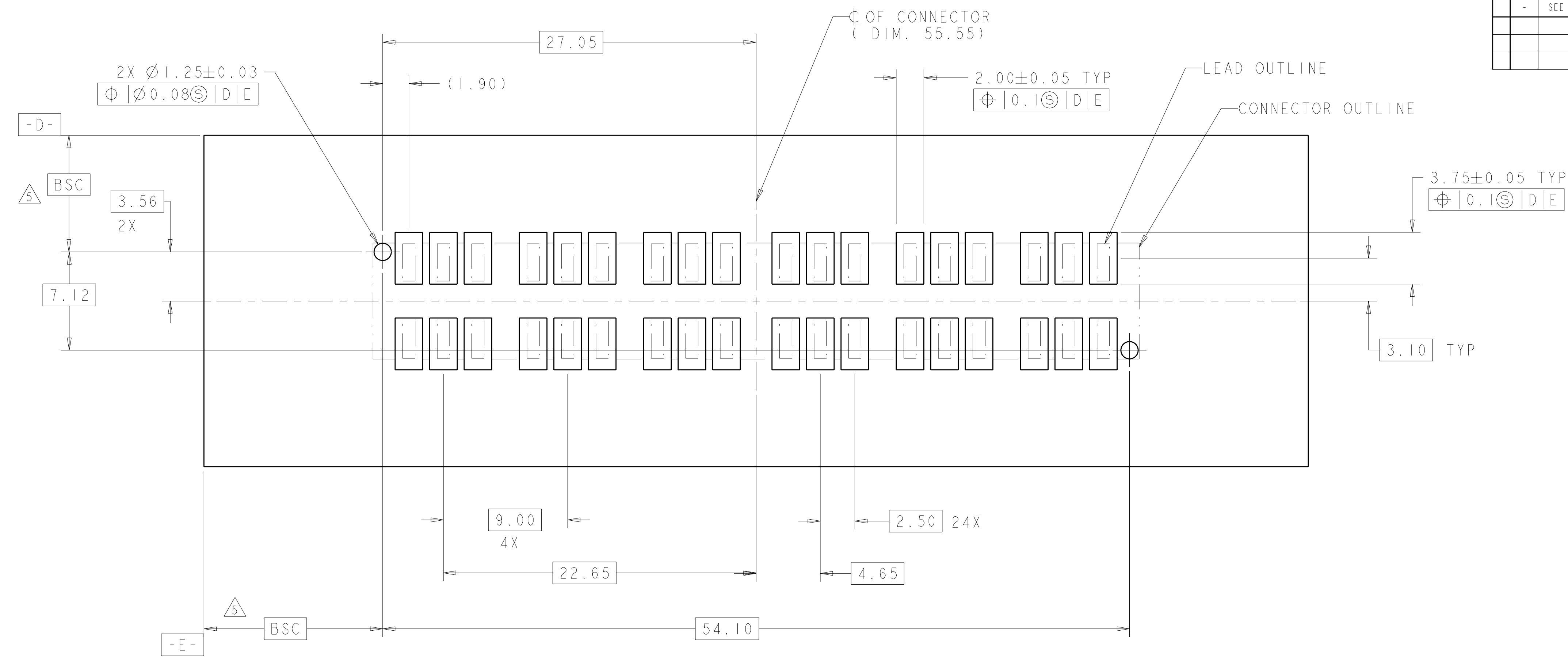
SCALE 4:1

AS SHOWN	1926793-2
DESCRIPTION	PART NUMBER

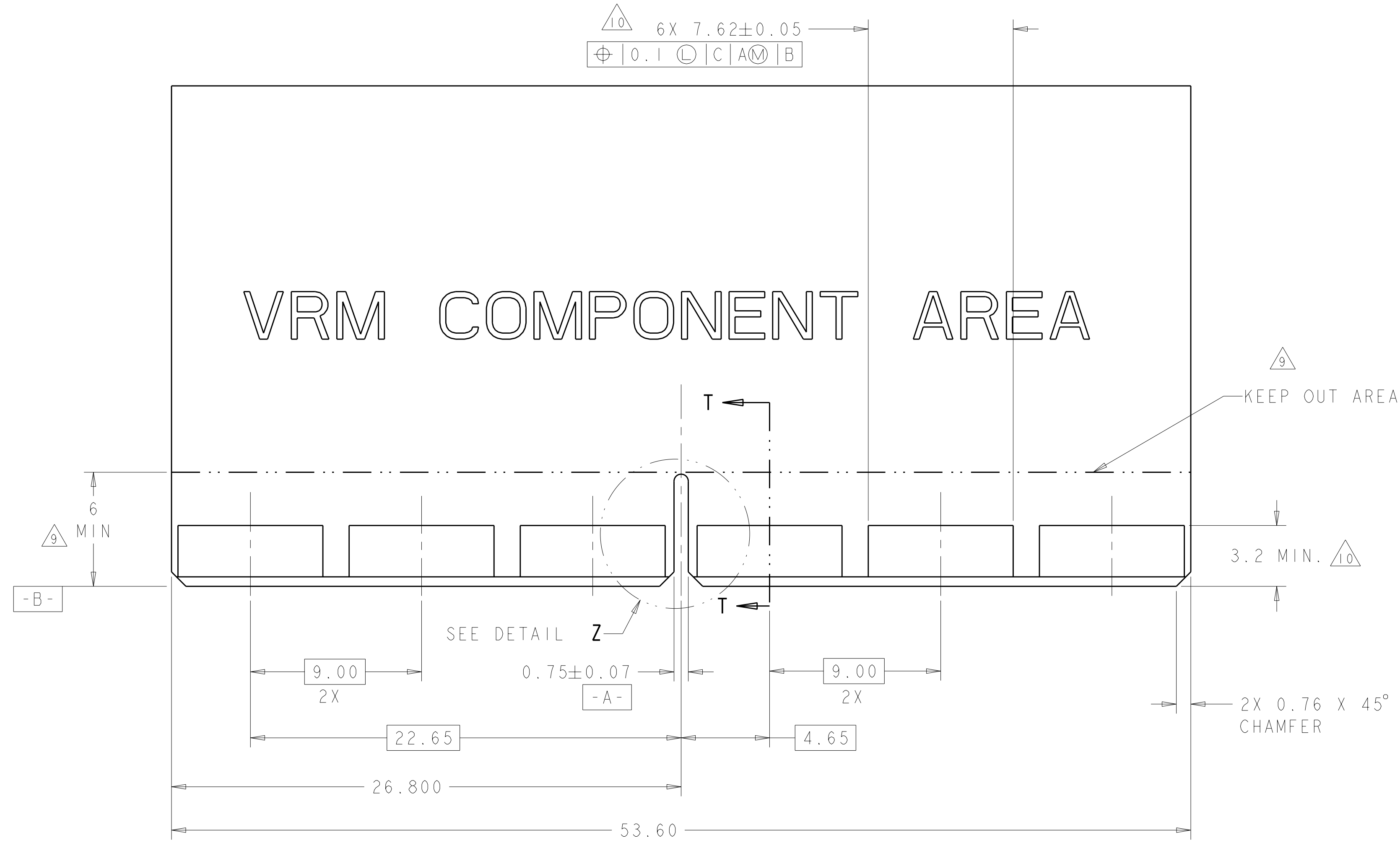
DIMENSIONS: mm 9 PLC ±.5 1 PLC ±.5 2 PLC ±.25 3 PLC ±. 4 PLC ±. ANGLES ±. FINISH		TOLERANCES UNLESS OTHERWISE SPECIFIED: 9 PLC ±. 1 PLC ±.5 2 PLC ±.25 3 PLC ±. 4 PLC ±. ANGLES ±. FINISH		DWN R. GRZYBOWSKI 11MAR2008 CHK P. DAMATO 11MAR2008 APVD S. FLICKINGER 11MAR2008 NAME PRODUCT SPEC APPLICATION SPEC SIZE CAGE CODE DRAWING NO WEIGHT CUSTOMER DRAWING		Tyco Electronics Harrisburg, PA 17105-3608 SOCKET CONNECTOR ASSEMBLY SMT 6 POWER, MINI CROWN EDGE A100779C=1926793 SCALE 6:1 SHEET 1 OF 3 REV A1	
----------------------------------------------------------------------------------------------------------	--	------------------------------------------------------------------------------------------------------------------------------	--	-----------------------------------------------------------------------------------------------------------------------------------------------------------------------------------------------	--	--------------------------------------------------------------------------------------------------------------------------------------------------------------------	--

LOC	DIST	REV	DATE	BY	APPD
GP	00				

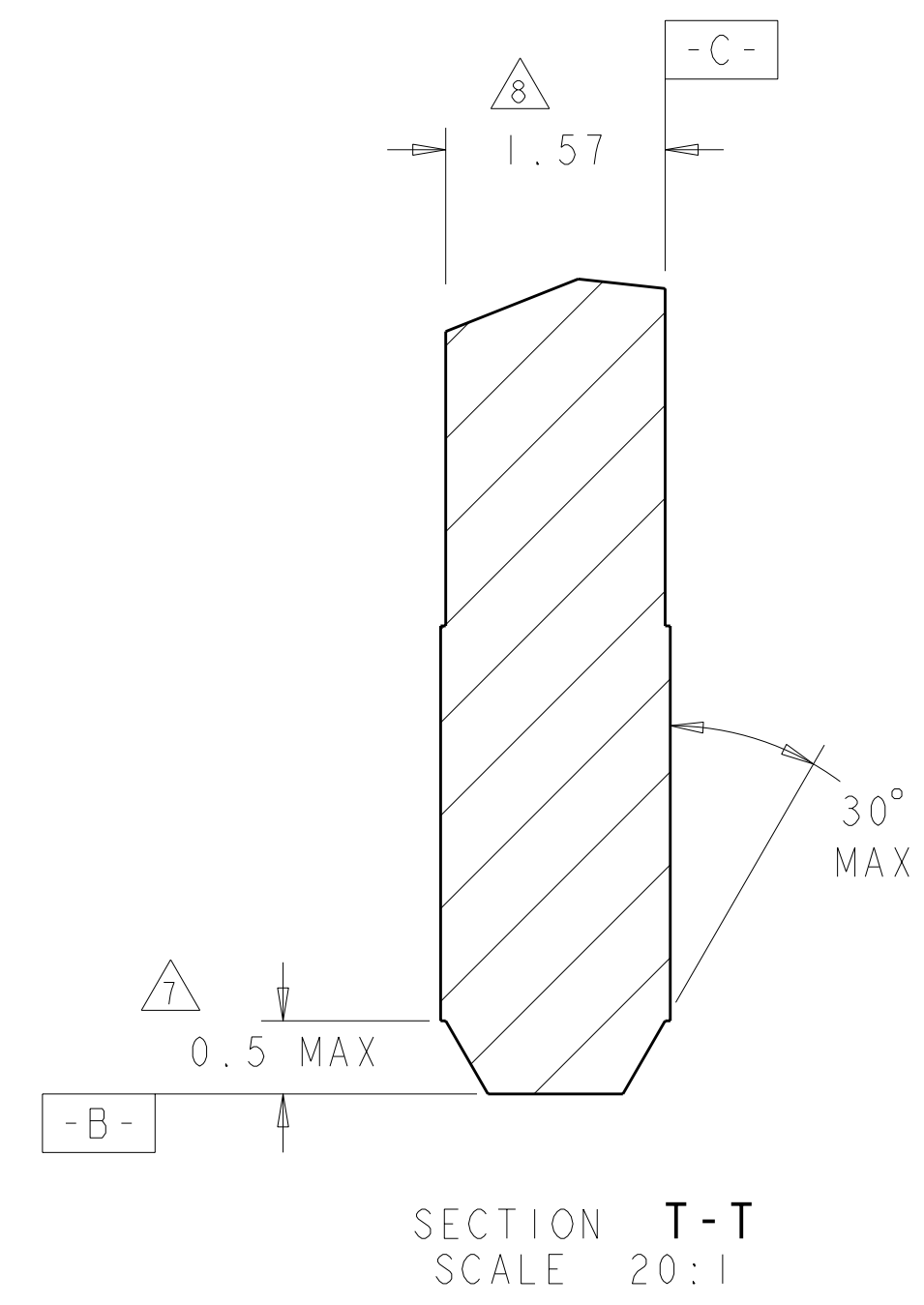
REVISIONS		DATE	BY	APPD
1	SEE SHEET 1			



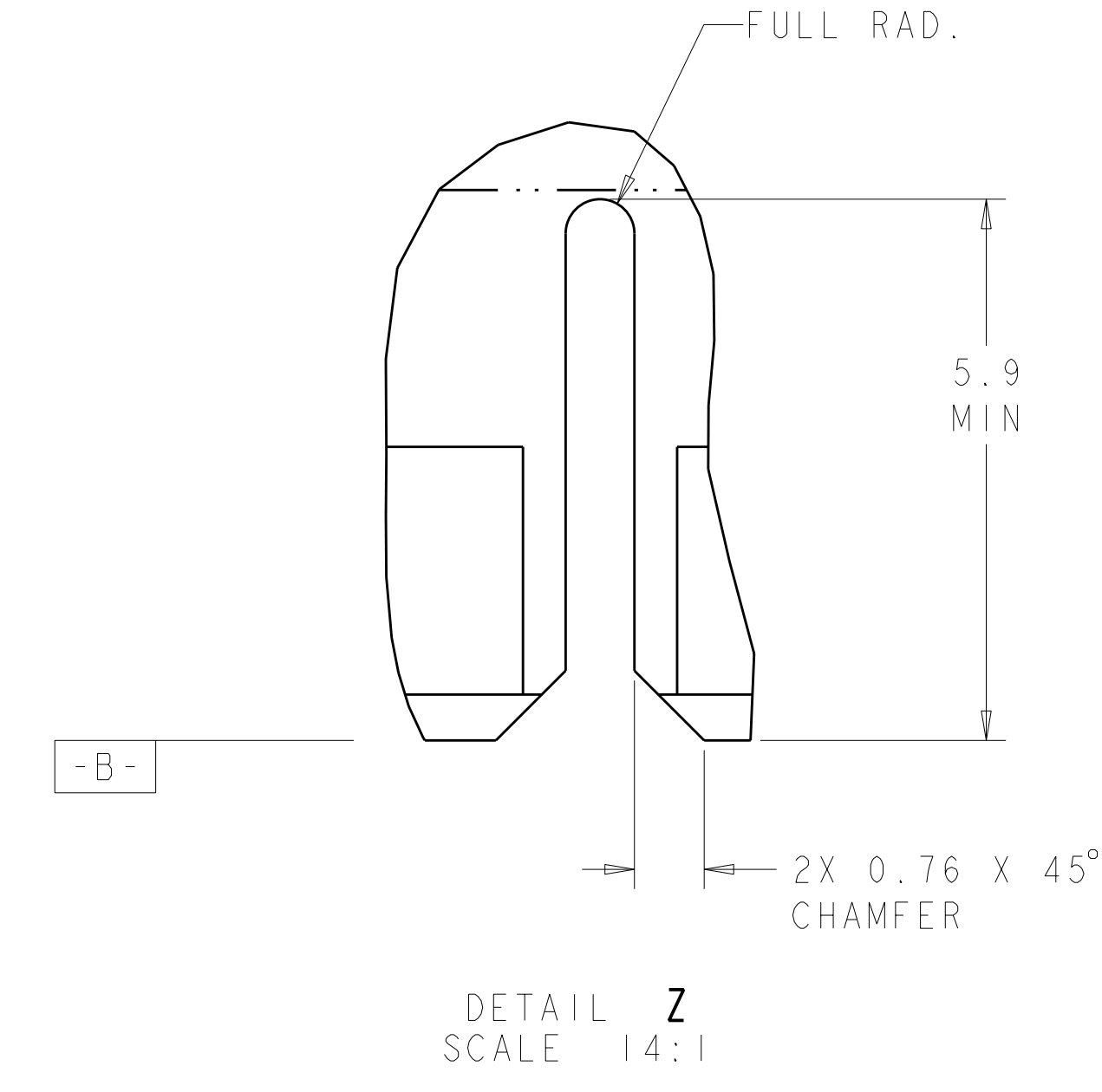
RECOMMENDED SOLDER LAND GUIDELINE
 AS VIEWED FROM THE CONNECTOR SIDE
 SCALE 6:1



RECOMMENDED MATING BOARD
 SCALE 6:1



SECTION T-T
 SCALE 20:1



DETAIL Z
 SCALE 14:1

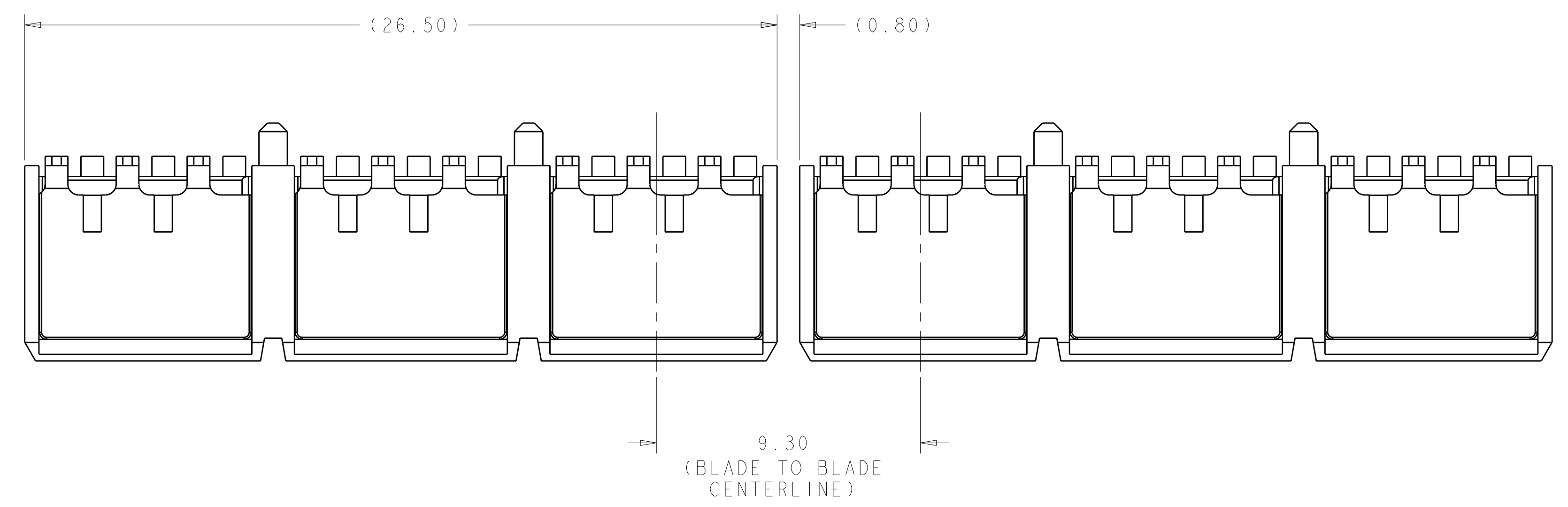
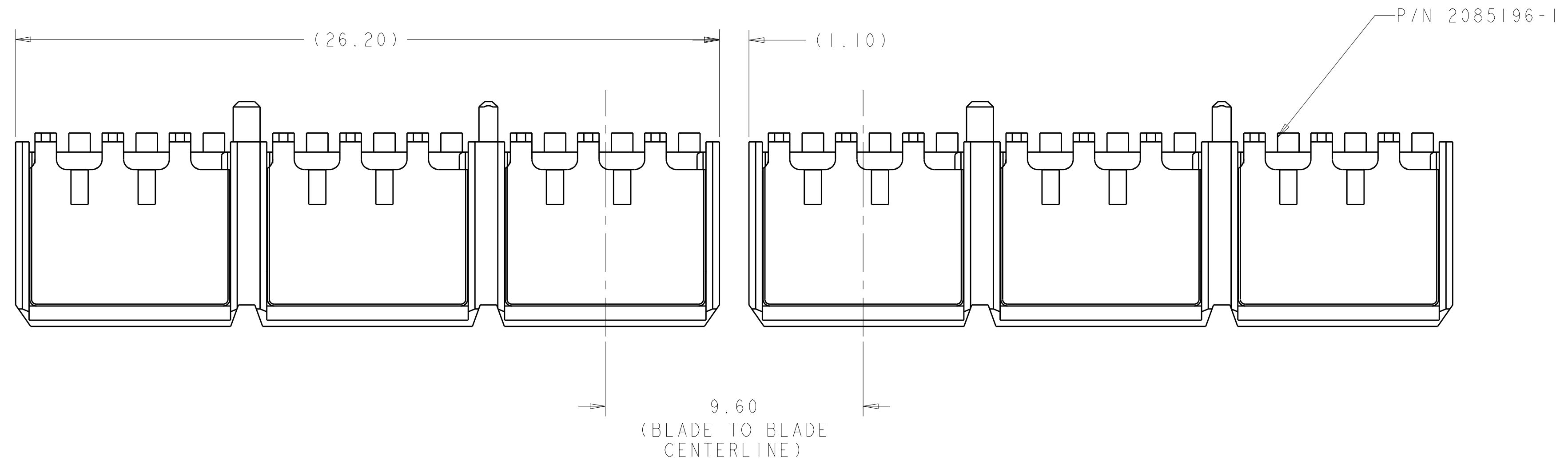
DIMENSIONS:		TOLERANCES UNLESS OTHERWISE SPECIFIED:		MATERIAL:		FINISH:		WEIGHT:		CUSTOMER DRAWING:	
mm	9 PLC	±.5									
	1 PLC	±.5									
	2 PLC	±.25									
	3 PLC	±.25									
	4 PLC	±.25									
	5 PLC	±.25									
	6 PLC	±.25									
	7 PLC	±.25									
	8 PLC	±.25									
	9 PLC	±.25									
	ANGLES	±.5									

DATE	BY	APPD	NAME	SIZE	CAGE CODE	DRAWING NO	RESTRICTED TO
11MAR2008	R. GRZYBOWSKI						
11MAR2008	P. DAMATO						
11MAR2008	S. FLICKINGER						

TYCO ELECTRONICS	TYCO ELECTRONICS
Harrisburg, PA 17105-3608	Harrisburg, PA 17105-3608

PRODUCT SPEC	APPLICATION SPEC	SCALE	SHEET	OF	REV
SOCKET CONNECTOR ASSEMBLY	6 POWER, MINI CROWN EDGE	6:1	2	3	A1

LOC	DIST	REVISIONS			
P	LTB	DESCRIPTION	DATE	DWN	APVD
GP	00	SEE SHEET 1	-	-	-



BLADE CONNECTOR (SURFACE MOUNT)
LAYOUT

<small>THIS DRAWING IS UNPUBLISHED. RELEASED FOR PUBLICATION BY TYCO ELECTRONICS CORPORATION. IT IS SUBJECT TO CHANGE WITHOUT NOTICE AND WITHOUT OBLIGATION. SHOULD BE CONTACTED FOR THE LATEST REVISION.</small>		DWN: R. GRZYBOWSKI CHK: P. DAMATO APVD: S. FLICKINGER	TYPICAL DIMENSIONS 9 PLC ±.5 7 PLC ±.5 5 PLC ±.25 4 PLC ±.5 ANGLES ±.5 FINISH -	DIMENSIONS: mm TOLERANCES UNLESS OTHERWISE SPECIFIED:	TYPICAL DIMENSIONS 9 PLC ±.5 7 PLC ±.5 5 PLC ±.25 4 PLC ±.5 ANGLES ±.5 FINISH -	DWN: R. GRZYBOWSKI CHK: P. DAMATO APVD: S. FLICKINGER NAME: SOCKET CONNECTOR ASSEMBLY SMT PRODUCT SPEC: 6 POWER, MINI CROWN EDGE APPLICATION SPEC: - WEIGHT: - CUSTOMER DRAWING	Tyco Electronics Harrisburg, PA 17105-3608 SIZE: A 00779 C=1926793 SCALE: 6:1 SHEET: 3 OF 3 REV: A1
-------------------------------------------------------------------------------------------------------------------------------------------------------------------------------------------------------------------	--	-------------------------------------------------------------	---------------------------------------------------------------------------------------------------	----------------------------------------------------------	---------------------------------------------------------------------------------------------------	------------------------------------------------------------------------------------------------------------------------------------------------------------------------------------------------------	----------------------------------------------------------------------------------------------------------------------

Mouser Electronics

Authorized Distributor

Click to View Pricing, Inventory, Delivery & Lifecycle Information:

[TE Connectivity:](#)

[1926793-2](#)