

LOC		DIST		REVISIONS					
HP		00		P	LTR	DESCRIPTION	DATE	DWN	APVD
				B		RELEASE PER ECO-11-015160	22JUL11	JS	JS

D

C

B

A

D

C

B

A

WARRANTY LABEL

PLUNGER & GROMMET
 MATERIAL: PLASTIC
 COLOR: BLACK
 2 PLC

- LC PORT #1
- LC PORT #2
- LC PORT #3
- LC PORT #4
- LC PORT #5
- LC PORT #6

28.83
 [1.135]

129.54
 [5.100]

114.30
 [4.500]

106.17
 [4.180]

117.98
 [4.645]

SEE DETAIL C

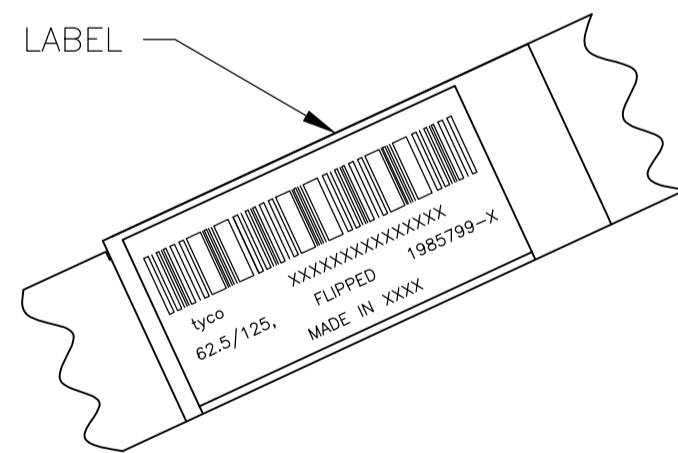
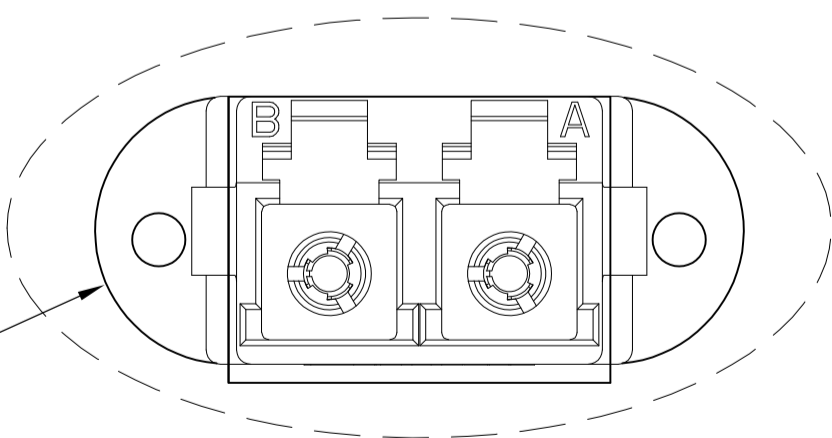
CASSETTE TRAY AND LID
 MATERIAL: ALUMINUM ALLOY
 FINISH COLOR: BLACK

CASSETTE ASSY TRACE LABEL

MPO COUPLING RECEPTACLE
 COLOR: SEE CHART

LC DUPLEX ADAPTER
 HOUSING COLOR: SEE CHART
 6 PLC

DETAIL C
 TYP. 6 PLC.



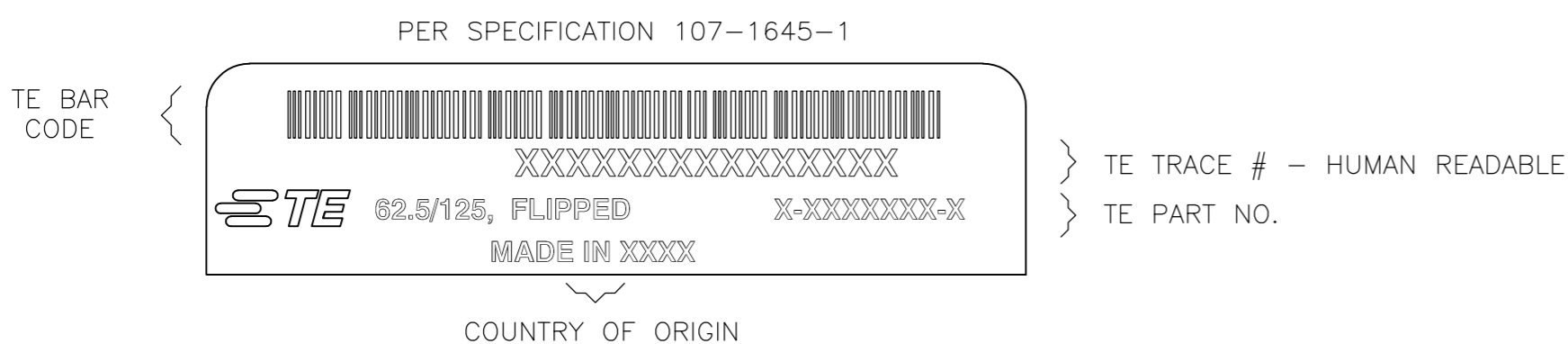
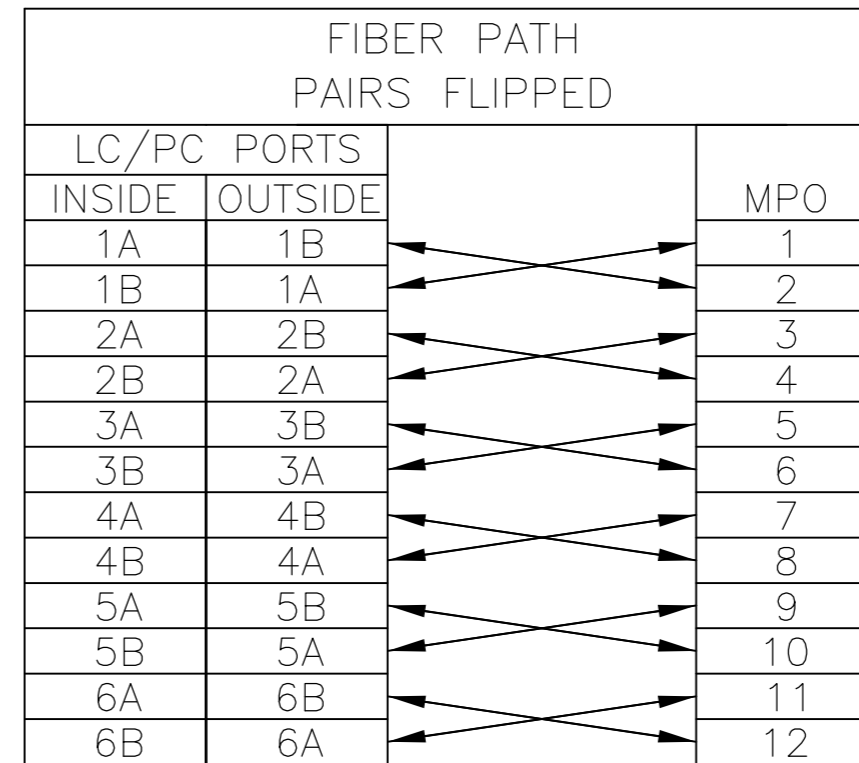
THIS DRAWING IS A CONTROLLED DOCUMENT.		DWN	J. SHIPE	08JUL2011	TE Connectivity
DIMENSIONS:		CHK	J. SHIPE	08JUL2011	
TOLERANCES UNLESS OTHERWISE SPECIFIED:		APVD	J. SHIPE	08JUL2011	
mm				NAME	
0 PLC ± - 1 PLC ± - 2 PLC ± - 3 PLC ± - 4 PLC ± - ANGLES ± ± - FINISH -		PRODUCT SPEC		CASSETTE, 6 PORT, 62.5/125um, MPO TO LC, PAIRS FLIPPED	
MATERIAL		APPLICATION SPEC		SIZE CAGE CODE DRAWING NO RESTRICTED TO A2 00779 C-1985799 -	
		WEIGHT		CUSTOMER DRAWING SCALE NTS SHEET 1 OF 2 REV B	

1985799

THIS DRAWING IS UNPUBLISHED. RELEASED FOR PUBLICATION
 © COPYRIGHT - By - ALL RIGHTS RESERVED.

LOC	DIST	REVISIONS			
P	LTR	DESCRIPTION	DATE	DWN	APVD
HP	00	SEE SHEET 1	-	-	-

1. MAXIMUM CABLE ASSEMBLY INSERTION LOSS IS 1.25dB WHEN TESTED AT 1300nm.
2. PRODUCT AND PROCESSING MUST MEET REQUIREMENTS OF TE STANDARD TEC-138-702
3. WHITE MARKING ON MPO TO BE FACING TOWARD TOP OF CONNECTOR MODULE. WHITE MARK INDICATES FIBER 1 SIDE
4. SEE TRACE LABEL DETAIL
5. A COPY OF CASSETTE ASSEMBLY LOSS TEST DATA WILL BE PLACED INSIDE OR WITH THE UNIT PACKAGE. CASSETTES WILL BE TESTED AT 1300nm WAVELENGTH.



4 TRACE LABEL DETAIL

BLACK STANDARD	AQUA SECURE	1-1985799-1
BLACK STANDARD	SLATE SECURE	1-1985799-0
BLACK STANDARD	ROSE SECURE	1985799-9
BLACK STANDARD	VIOLET SECURE	1985799-8
BLACK STANDARD	BROWN SECURE	1985799-7
BLACK STANDARD	ORANGE SECURE	1985799-6
BLACK STANDARD	YELLOW SECURE	1985799-5
BLACK STANDARD	BLUE SECURE	1985799-4
BLACK STANDARD	GREEN SECURE	1985799-3
BLACK STANDARD	RED SECURE	1985799-2
BLACK STANDARD	BEIGE STANDARD	1985799-1
MPO COUPLING BUSHING COLOR & TYPE	LC ADAPTER COLOR & TYPE	PART NUMBER

THIS DRAWING IS A CONTROLLED DOCUMENT.		DWN J. SHIPE 08JUL2011	STE TE Connectivity	
DIMENSIONS: mm		CHK J. SHIPE 08JUL2011		
TOLERANCES UNLESS OTHERWISE SPECIFIED:		APVD J. SHIPE 08JUL2011	NAME CASSETTE, 6 PORT, 62.5/125um, MPO TO LC, PAIRS FLIPPED	
0 PLC ± - 1 PLC ± - 2 PLC ± - 3 PLC ± - 4 PLC ± - ANGLES ± -		PRODUCT SPEC -		
MATERIAL	FINISH	WEIGHT	SIZE A2	CAGE CODE 00779
-	-	-	DRAWING NO C=1985799	RESTRICTED TO -
CUSTOMER DRAWING			SCALE NTS	SHEET 2 OF 2
			REV B	