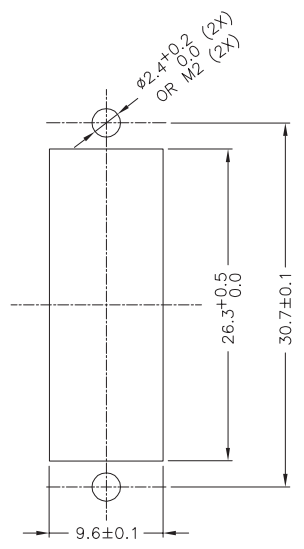
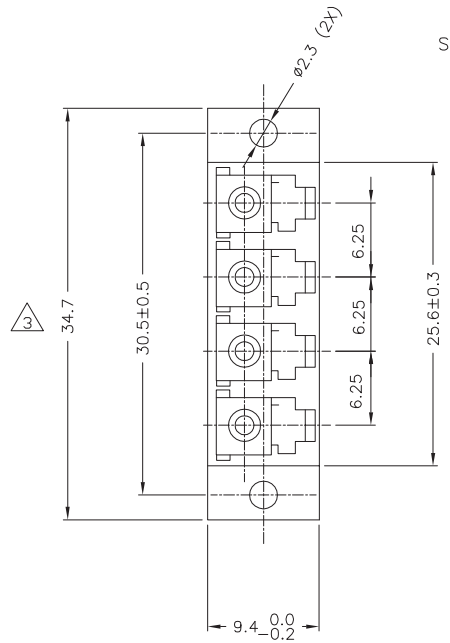
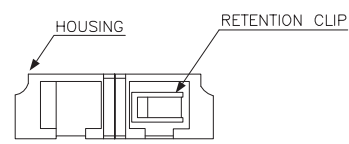


THIS DRAWING IS UNPUBLISHED. 2016 Commscope, INC. **Confidential** NOTICE: These drawings and specifications are the proprietary property of COMMSCOPE, INC. and may be used only for the specific purpose authorized in writing by COMMSCOPE, INC.

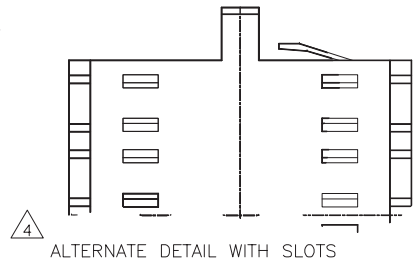
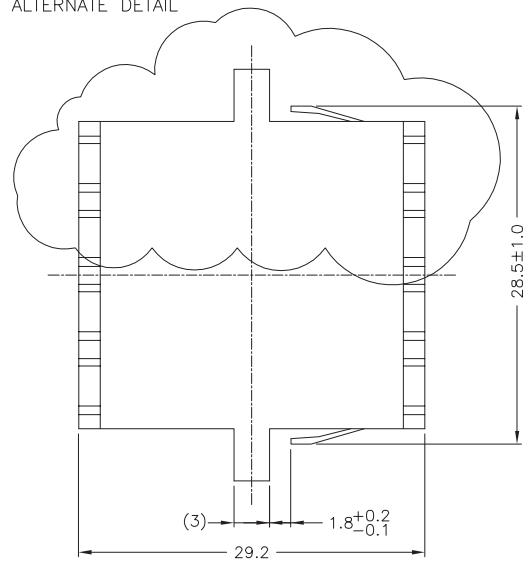
LOC		DIST		REVISIONS				DATE	OWN	APVD
P	LTR	DESCRIPTION		DATE		OWN	APVD			
H		ECN 8000017777-REBRANDING		11-28-16	SC	JV				



RECOMMENDED PANEL CUT-OUT
MAX PANEL THICKNESS 1.7
(INFORMATIVE REFERENCE)



SEE ALTERNATE DETAIL



- NOTES:
- 1 MATERIAL:
HOUSING: THERMOPLASTIC, UL 94-V0
ALIGNMENT SLEEVES: SEE TABLE
RETENTION CLIP: SST
 - 2 DUST PLUGS ARE SUPPLIED, NOT SHOWN.
 - 3 FLANGELESS VERSION HAS AN OVERALL WIDTH OF 28.5 ±0.5mm
 - 4 ALTERNATE DETAIL WITH SLOTS

SLEEVE MAT'L	HOUSING COLOR	DESCRIPTION	PART NUMBER
CERAMIC	VIOLET	FLANGELESS	1-1695790-5
CERAMIC	VIOLET	FLANGED	1-1695790-4
CERAMIC	BLACK	FLANGED	1-1695790-3
CERAMIC	BLACK	FLANGELESS	1-1695790-2
CERAMIC	AQUA	FLANGELESS	1-1695790-1
CERAMIC	AQUA	FLANGED	1-1695790-0
METAL	AQUA	FLANGED	1695790-9
CERAMIC	BEIGE	FLANGED	1695790-8
METAL	BEIGE	FLANGELESS	1695790-7
CERAMIC	GREEN	FLANGED	1695790-6
METAL	BEIGE	FLANGED	1695790-5
CERAMIC	BLUE	FLANGED	1695790-4
CERAMIC	GREEN	FLANGELESS	1695790-3
CERAMIC	BEIGE	FLANGELESS	1695790-2
CERAMIC	BLUE	FLANGELESS	1695790-1

THIS DRAWING IS A CONTROLLED DOCUMENT. DWN 22 SEP 05
CHK A GIRIYAPPA M
APVD A HENGELMOLEN 30 JUN 06
NAME A HENGELMOLEN

COMMSCOPE, INC.

FOAC LC QUAD ADAPTER

SIZE A2 CASE CODE - DRAWING NO. C-1695790
MATERIAL - FINISH 1

CUSTOMER DRAWING SCALE NTS SHEET 1 of 1 REV H

Mouser Electronics

Authorized Distributor

Click to View Pricing, Inventory, Delivery & Lifecycle Information:

[TE Connectivity:](#)

[1695790-7](#)