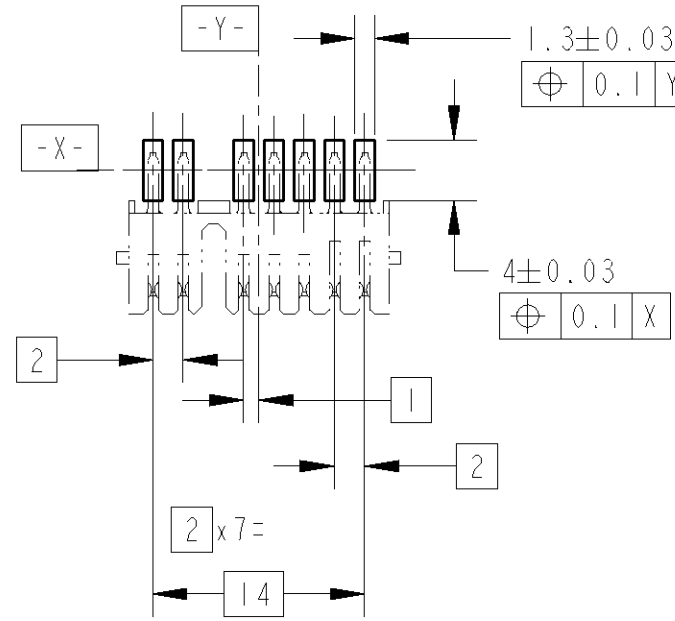
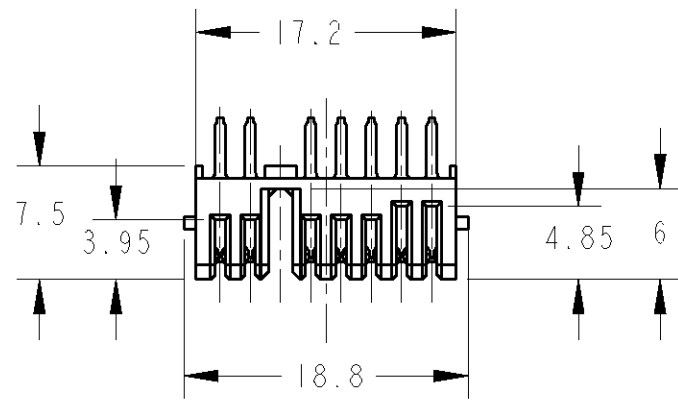


THIS DRAWING IS UNPUBLISHED. RELEASED FOR PUBLICATION 20
 © COPYRIGHT 20 BY TYCO ELECTRONICS CORPORATION. ALL RIGHTS RESERVED.

LOC	DIST	REVISIONS					
		P	LTR	DESCRIPTION	DATE	DWN	APVD
J	-		A	RELEASED	24APR06	T.K	K.K



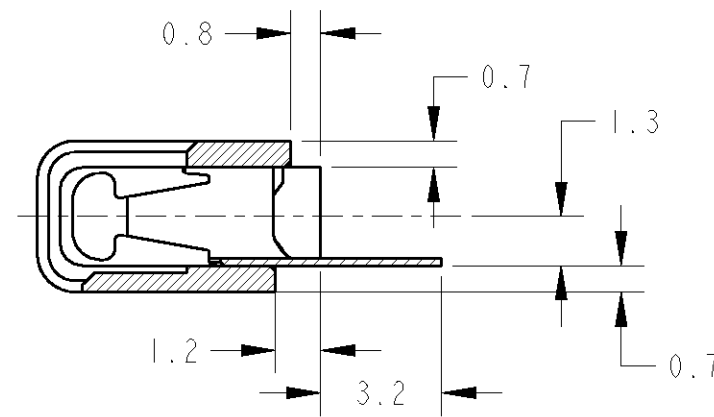
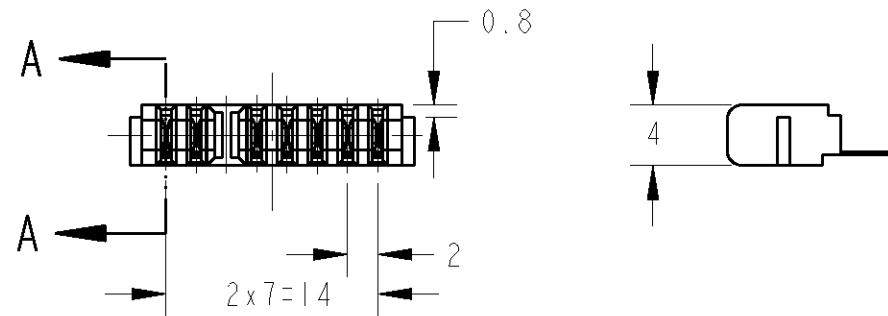
参考基板取付寸法
 REFERENCE P.C BOARD LAYOUT
 P.C. BOARD THK. 0.8~1.2
 (VIEW FROM CONNECTOR MOUNTING SIDE)

1 材料
 コンタクト: 銅合金
 ハウジング: 熱可塑性樹脂, UL 94V-0, 黒

2 仕上げ
 コンタクト: ニッケル下地めっき
 接点部 金めっき
 半田付け部: 錫めっき

1 MATERIAL
 CONTACT: COPPER ALLOY
 HOUSING: THERMOPLASTIC RESIN UL94V-0, BLACK

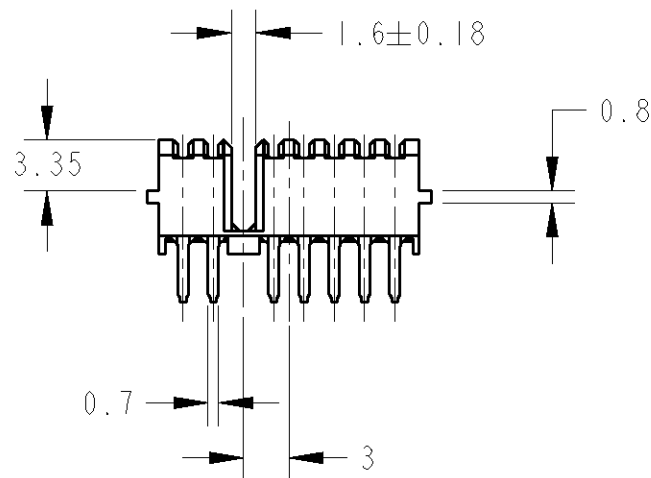
2 FINISH
 CONTACT: NICKEL ALL OVER UNDER PLATING,
 GOLD PLATING AT CONTACT AREA,
 TIN PLATING AT LEAD AREA,



A-A
 SCALE 5:1

SMT TYPE

1939229-1: AS SHOWN



THIS DRAWING IS A CONTROLLED DOCUMENT FOR TYCO ELECTRONICS CORPORATION IT IS SUBJECT TO CHANGE AND THE CONTROLLING ENGINEERING ORGANIZATION SHOULD BE CONTACTED FOR THE LATEST REVISION.		DWN T. KATANO 24APR06	Tyco Electronics AMP K.K. Kawasaki, Japan	
DIMENSIONS: 単位: 概 mm		CHK K. KODAIRA 24APR06		
TOLERANCES UNLESS OTHERWISE SPECIFIED: 一般公差 ±0.3		APVD K. KODAIRA 24APR06	NAME 名称 RECEPTACLE ASSEMBLY 7POS. 2mm PITCH BATTERY CONNECTOR	
0-PLC ±		PRODUCT SPEC 製品規格 108-78292	RESTRICTED TO	
1-PLC ±0.1		APPLICATION SPEC 取付適用規格	SIZE A3	CAGE CODE 00779
2-PLC ±0.01		WEIGHT 0.7g	DRAWING NO 1939229	SCALE 2:1
3-PLC ±0.001		CUSTOMER DRAWING	SHEET 1	OF 2
4-PLC ±0.0001			REV A	
ANGLES ±3				
MATERIAL 材料	FINISH 仕上			

4

3

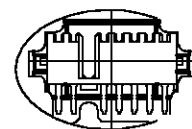
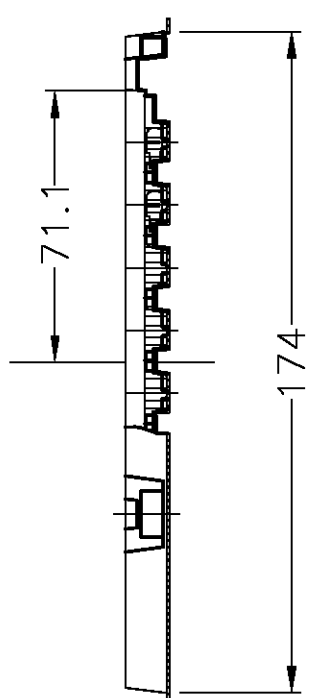
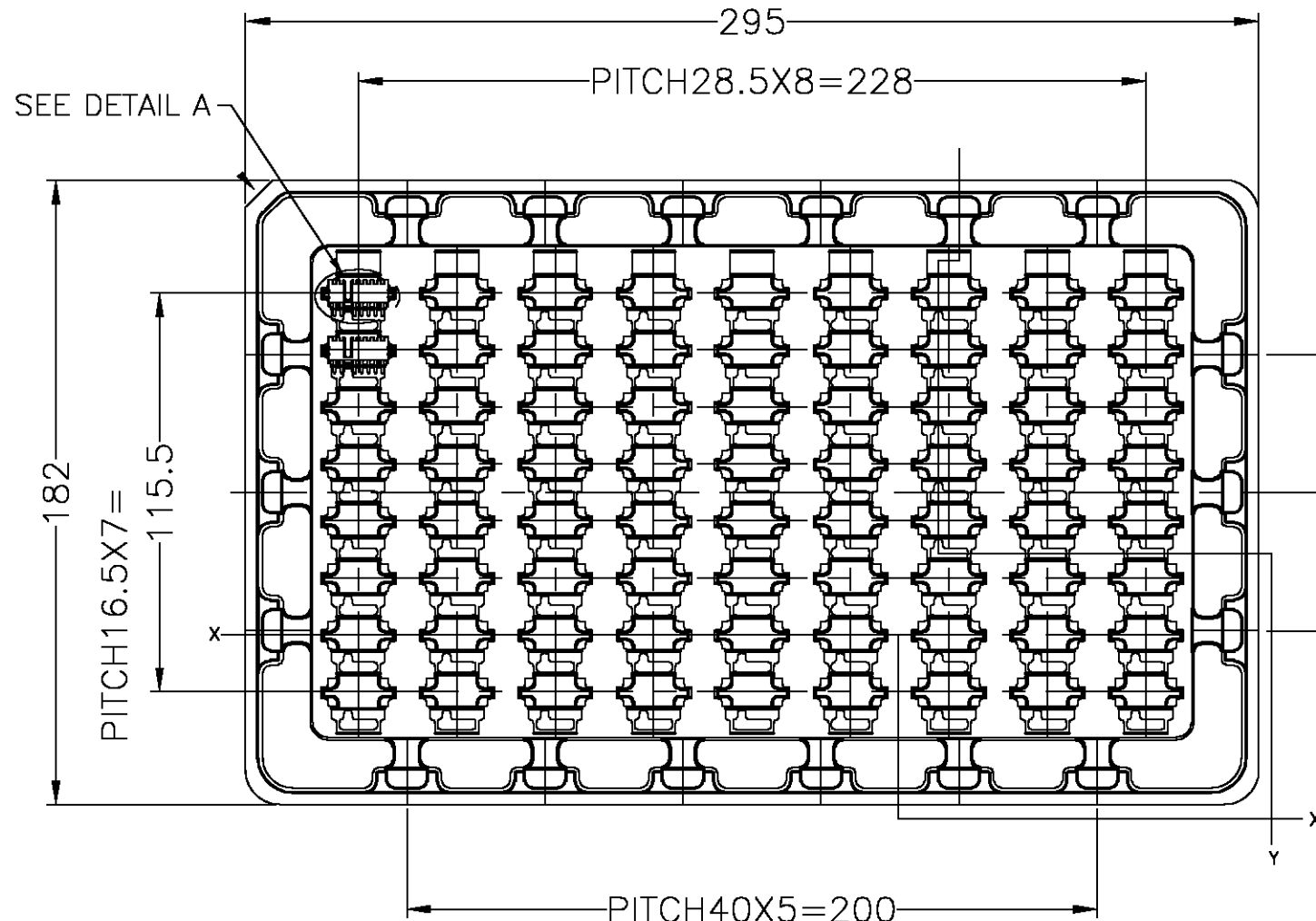
2

1

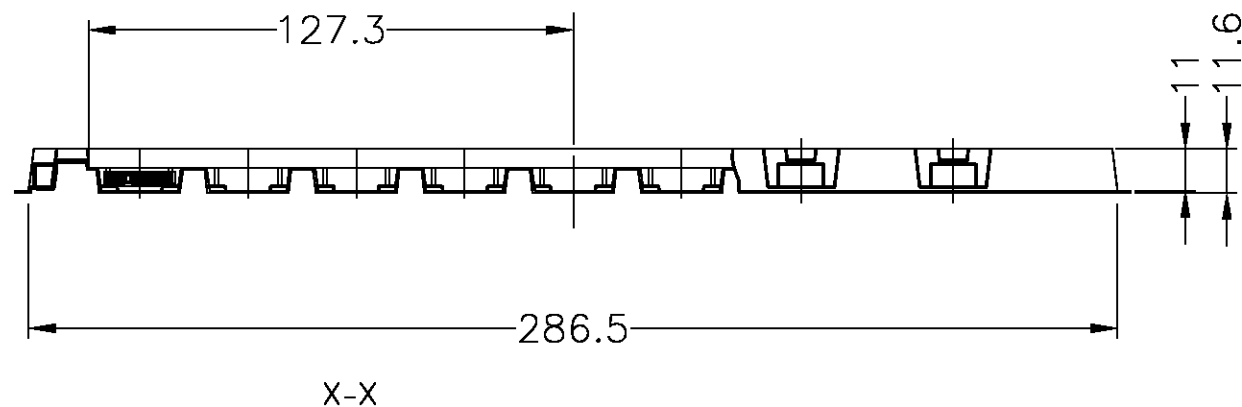
THIS DRAWING IS UNPUBLISHED. RELEASED FOR PUBLICATION
COPYRIGHT 2005 BY TYCO ELECTRONICS CORPORATION. ALL RIGHTS RESERVED.

LOC	DIST	REVISIONS					
J	-	P	LTR	DESCRIPTION	DATE	DWN	APVD
		-		SEE SHEET 1	-	-	-

AS SHOWN: 1939229-1



DETAIL A SCALE 1:1



1. 72PCS/TRAY

THIS DRAWING IS A CONTROLLED DOCUMENT.		DWN T.KATANO 24APR06	Tyco Electronics AMP K.K. Kawasaki, Japan				
DIMENSIONS: 単位: 概 mm		CHK K.KODAIRA 24APR06					
TOLERANCES UNLESS OTHERWISE SPECIFIED: 一般公差		APVD K.KODAIRA 24APR06	NAME 名称 RECEPTACLE ASSEMBLY 7POS. 2mm PITCH BATTERY				
0 PLC ± 2 1 PLC ± 1 2 PLC ± - 3 PLC ± - 4 PLC ± - ANGLES ± -		PRODUCT SPEC 製品規格	SIZE A3	CAGE CODE 00779	DRAWING NO 番号 C-1939229	RESTRICTED TO -	
MATERIAL 材料 -		FINISH 仕上 -	WEIGHT -		SCALE 尺度 1:2	SHEET 2 OF 2	REV A
CUSTOMER DRAWING							