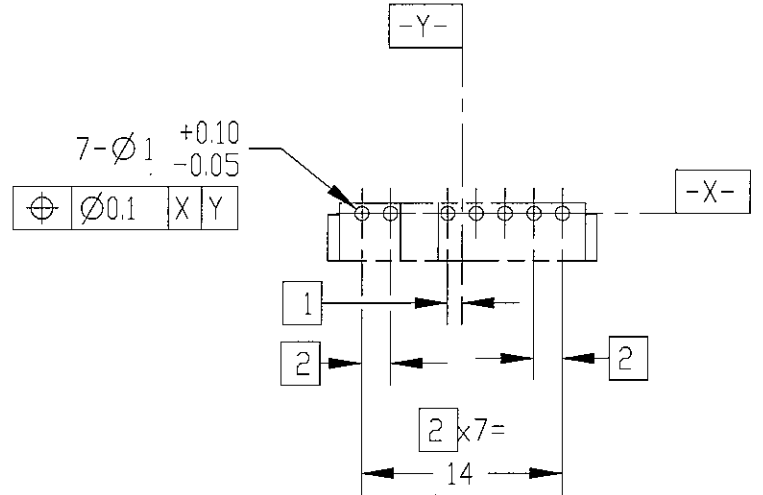
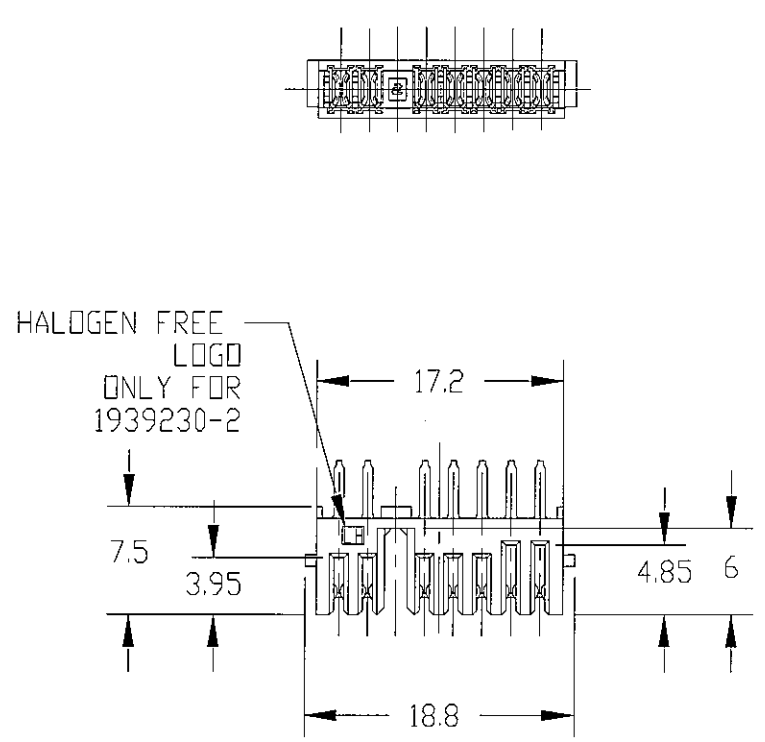


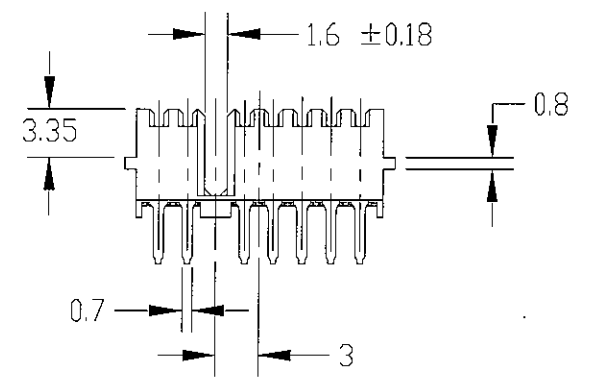
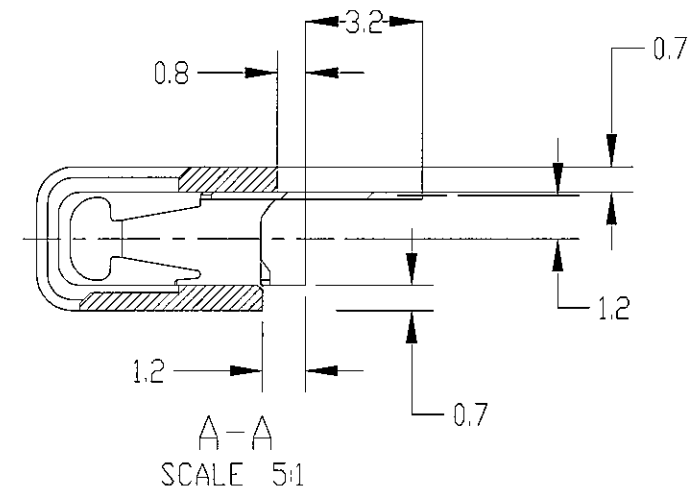
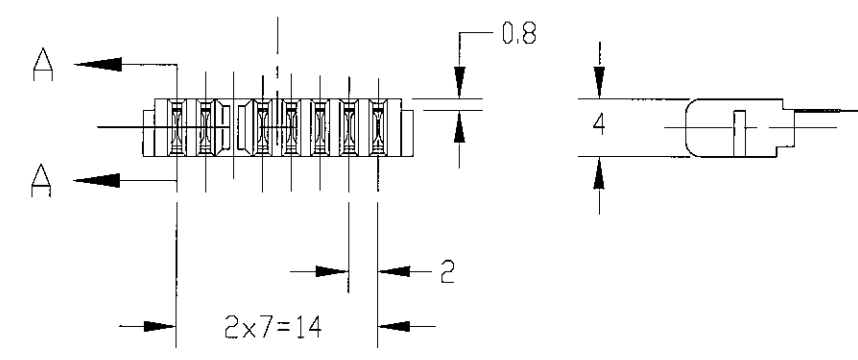
LDC	DIST	REVISIONS					
		P	LTR	DESCRIPTION	DATE	DWN	APVD
ES	-	A		RELEASED	24APR06	T.K	K.K
		A2		REVISED PER ECR-09-000157	08JAN2009	S.W	S.Y
		B		REVISED	06JAN2012	Y.W	S.K
		C		REVISED	24FEB2012	Y.W	S.K



REFERENCE P.C BOARD LAYOUT
 P.C.BOARD THK. 0.8~1.2
 (VIEW FROM CONNECTOR MOUNTING SIDE)

- 1 MATERIAL
 CONTACT: COPPER ALLOY
 HOUSING: THERMOPLASTIC RESIN UL94V-0.BLACK
- 2 FINISH
 CONTACT: NICKEL ALL OVER UNDER PLATING,
 GOLD PLATING AT CONTACT AREA,
 TIN PLATING AT LEAD AREA.

DIP TYPE

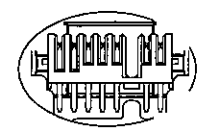
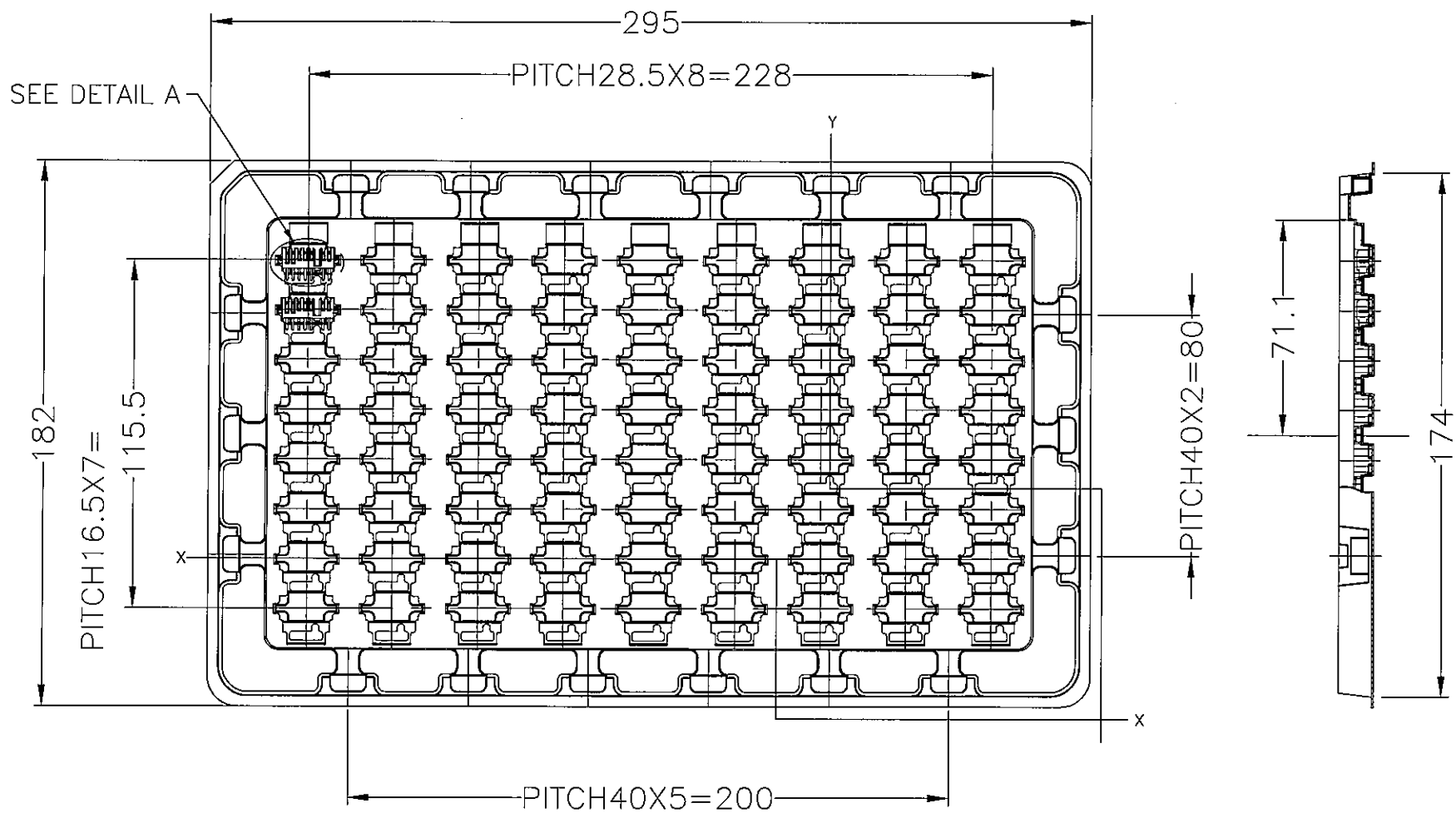


HALOGEN FREE	1-1939230-2
HALOGEN FREE	1939230-2
HALOGEN	1939230-1
HOUSING MATERIAL	P/N

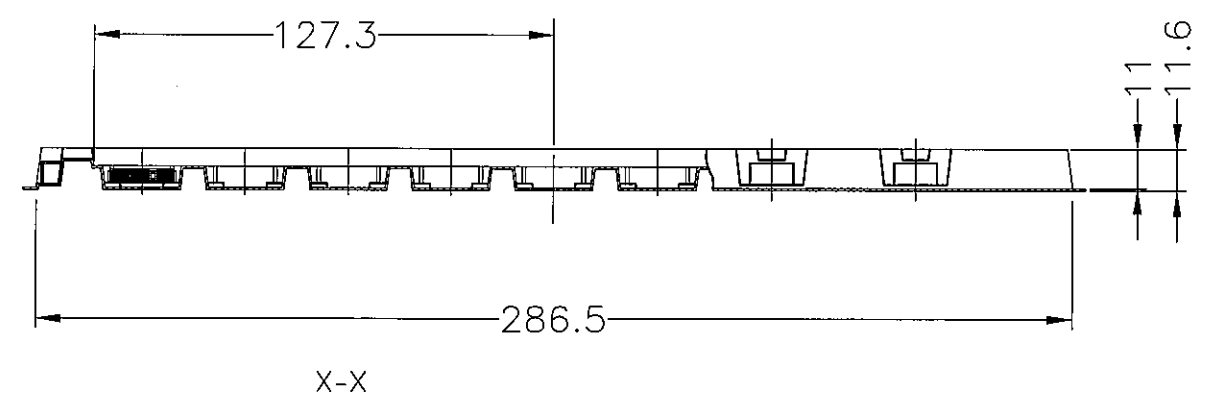
THIS DRAWING IS A CONTROLLED DOCUMENT FOR TYCO ELECTRONICS CORPORATION IT IS SUBJECT TO CHANGE AND THE CONTROLLING ENGINEERING ORGANIZATION SHOULD BE CONTACTED FOR THE LATEST REVISION.		DWN	T.KATANO	24APR06	TE Connectivity	NAME RECEPTACLE ASSEMBLY 7POS. REVERSE TYPE 2mm PITCH BATTERY CONNECTOR	RESTRICTED TO			
DIMENSIONS: mm		CHK	K.KODAIRA	24APR06						
TOLERANCES UNLESS OTHERWISE SPECIFIED: ±0.3		APVD	K.KODAIRA	24APR06						
0-PLC ± 1-PLC ±0.1 2-PLC ±0.01 3-PLC ±0.001 4-PLC ±0.0001 ANGLES ±3		PRODUCT SPEC	108-78292	APPLICATION SPEC						
MATERIAL	1	WEIGHT	0.7g	SIZE	A3	CAGE CODE	00779	DRAWING NO	C=1939230	
FINISH	2	CUSTOMER DRAWING		SCALE	2:1	SHEET	1	OF	2	
									REV	C

THIS DRAWING IS UNPUBLISHED. RELEASED FOR PUBLICATION
 © COPYRIGHT 2005 By Tyco Electronics Japan G.K. ALL RIGHTS RESERVED.

LOC	DIST	REVISIONS					
		P	LTR	DESCRIPTION	DATE	DWN	APVD
J	-	-	-	SEE SHEET 1	-	-	-



DETAIL A
SCALE 1:1



1. 72PCS/TRAY

THIS DRAWING IS A CONTROLLED DOCUMENT.		DWN T.KATANO	24APR06	TE TE Connectivity	
DIMENSIONS: 単位: 種 mm		CHK K.KODAIRA	24APR06		
TOLERANCES UNLESS OTHERWISE SPECIFIED: 一般公差 ±0.3		APVD K.KODAIRA	24APR06	NAME 名称	
0-PLC ±2 1-PLC ±1 2-PLC ± 3-PLC ± 4-PLC ± ANGLES ±3		PRODUCT SPEC 製品規格		RECEPTACLE ASSEMBLY 7POS. REVERSE TYPE 2mm PITCH BATTERY CONNECTOR	
MATERIAL 材料		FINISH 仕上		SIZE	RESTRICTED TO
				A3	
				CAGE CODE	DRAWING NO
				00779	1939230
				SCALE 尺度	SHEET
				1:2	2 of 2
				REV	C
				CUSTOMER DRAWING	