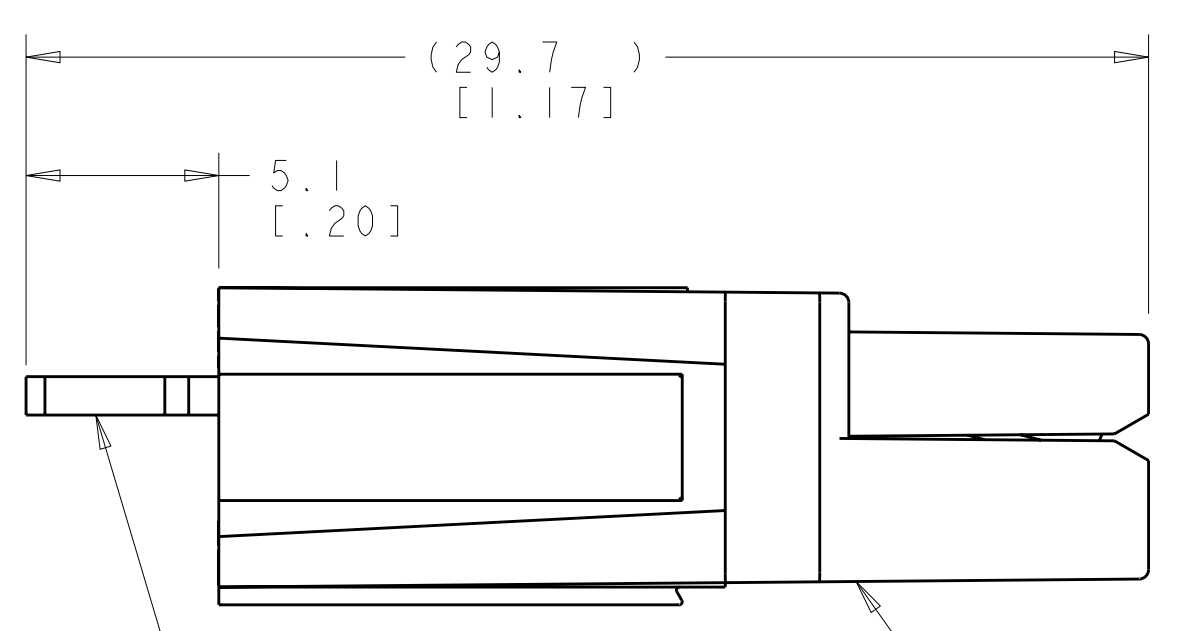
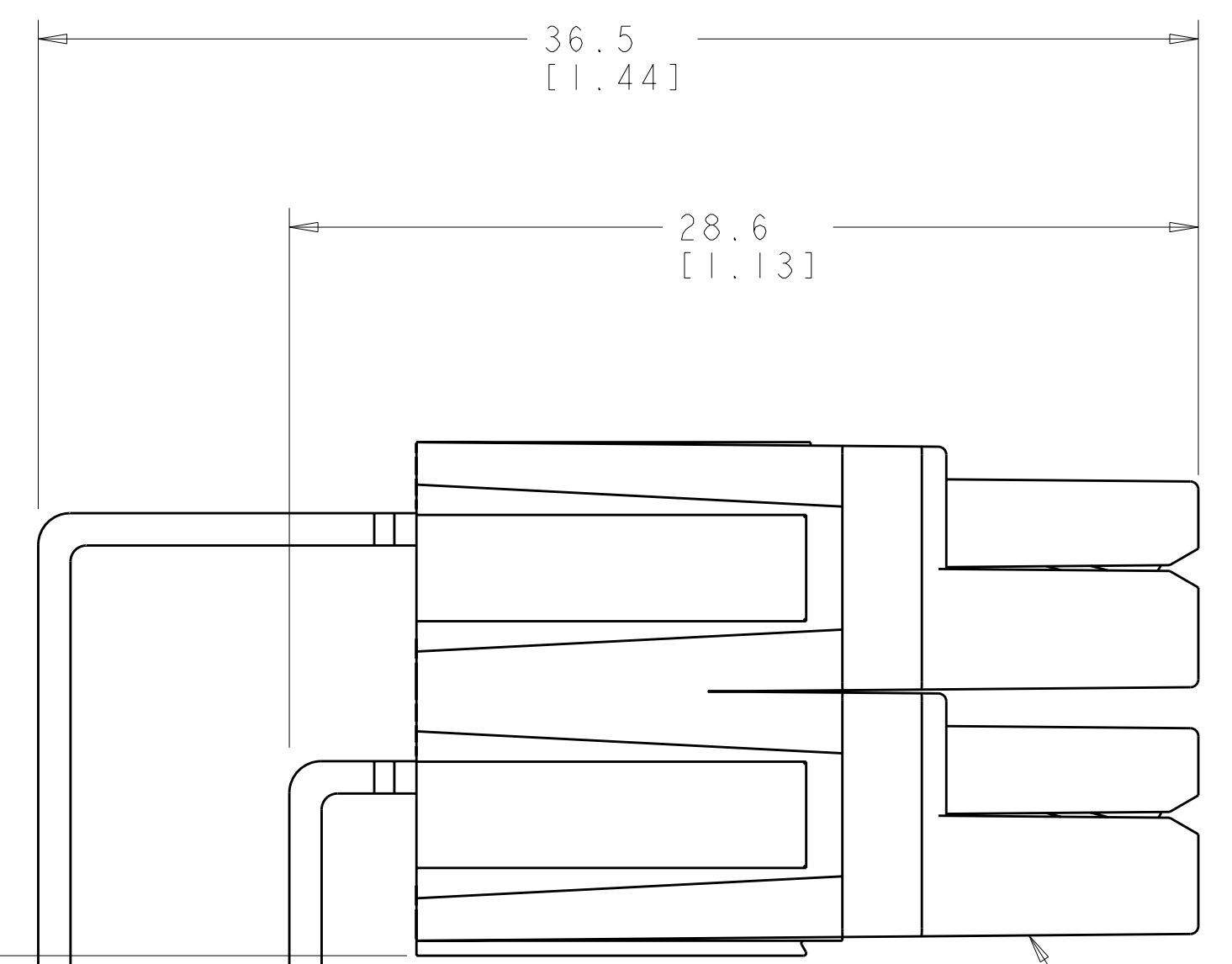
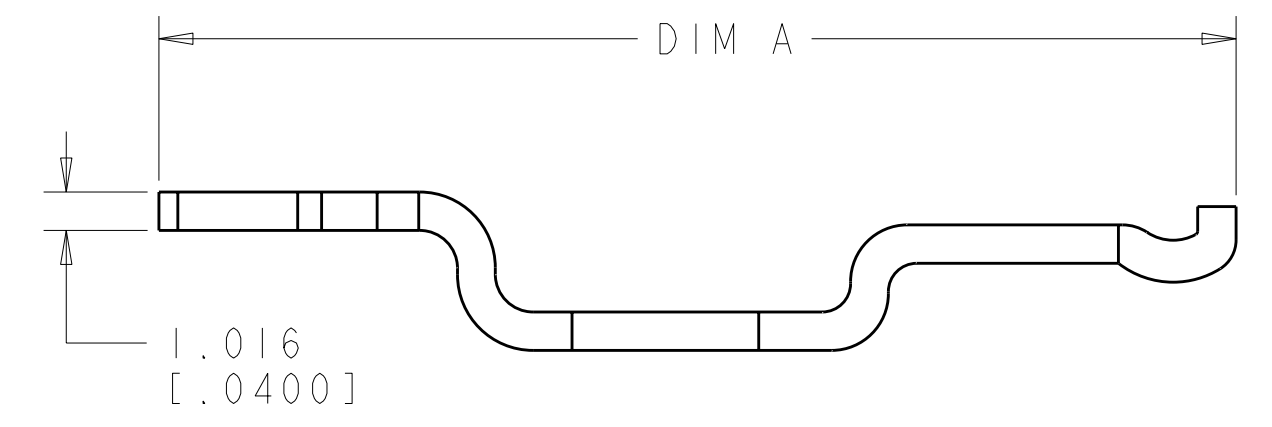
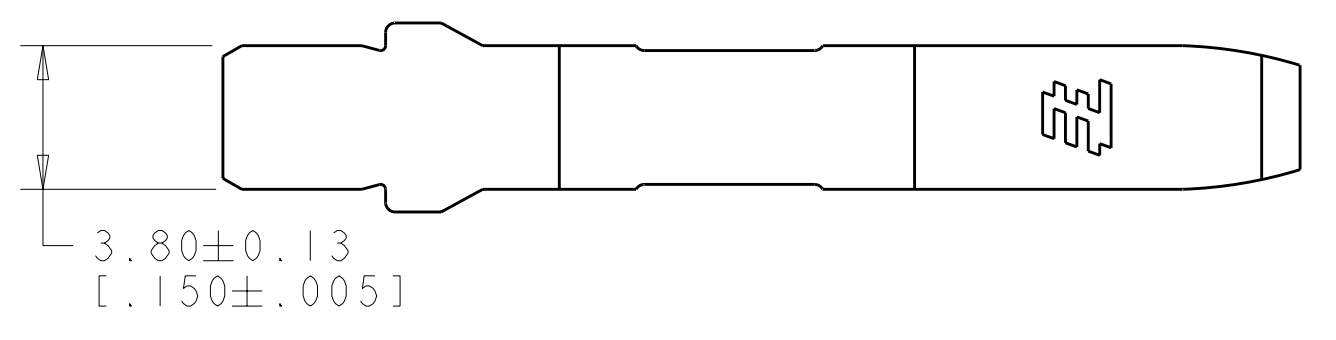
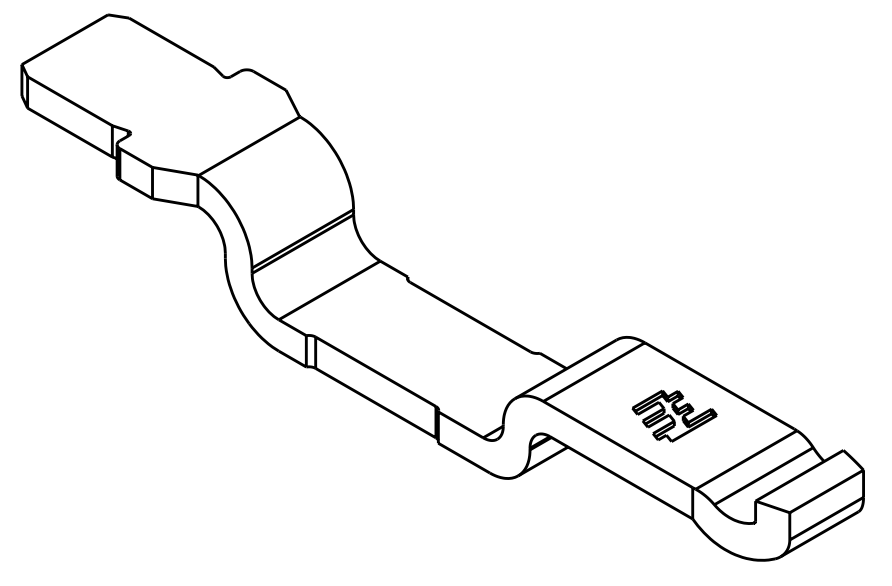


LOC		DIST		REVISIONS			
CM	00	P	LTR	DESCRIPTION	DATE	DWN	APVD
		A		REVISED PER ECO-11-018956	27SEP2011	KH	DY



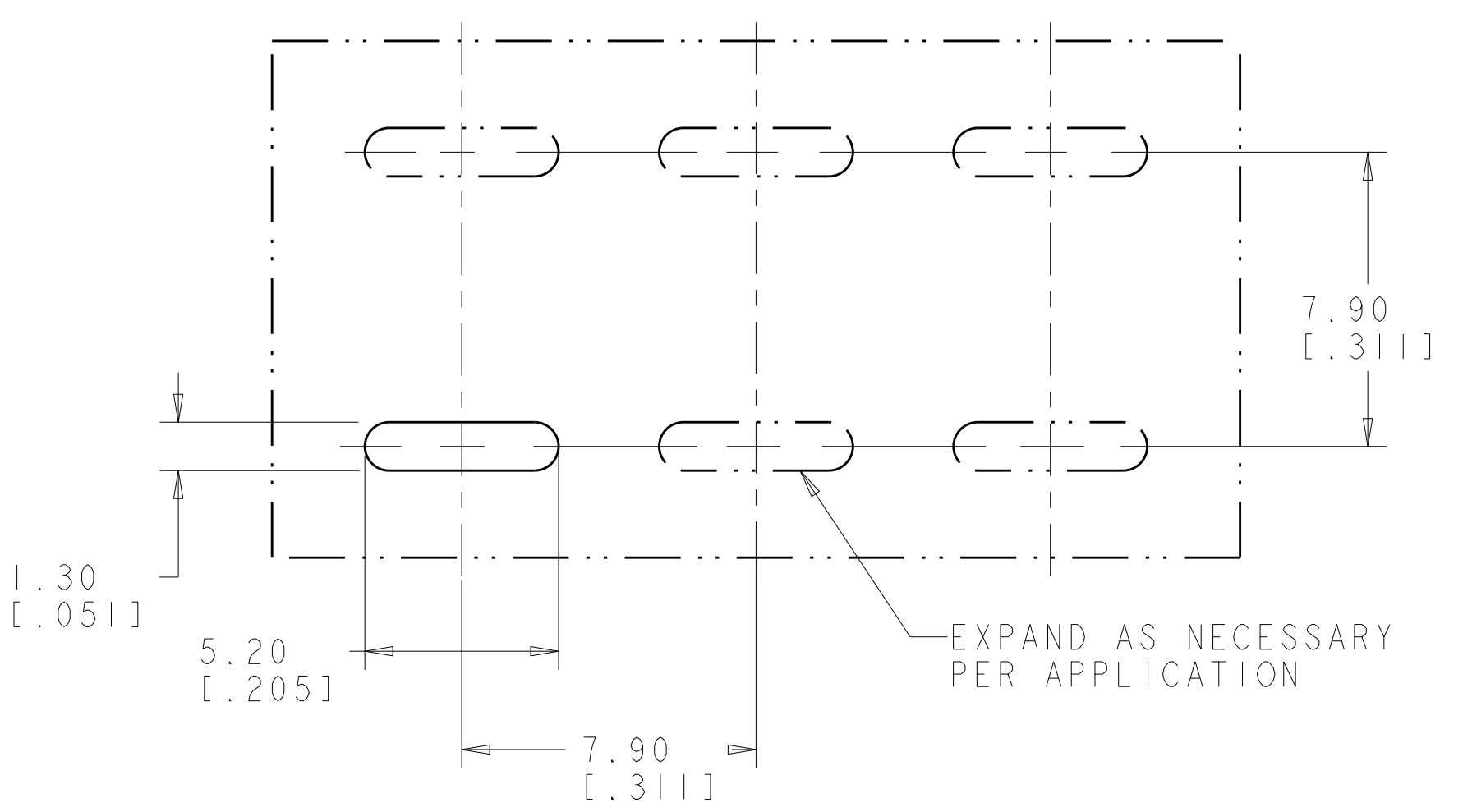
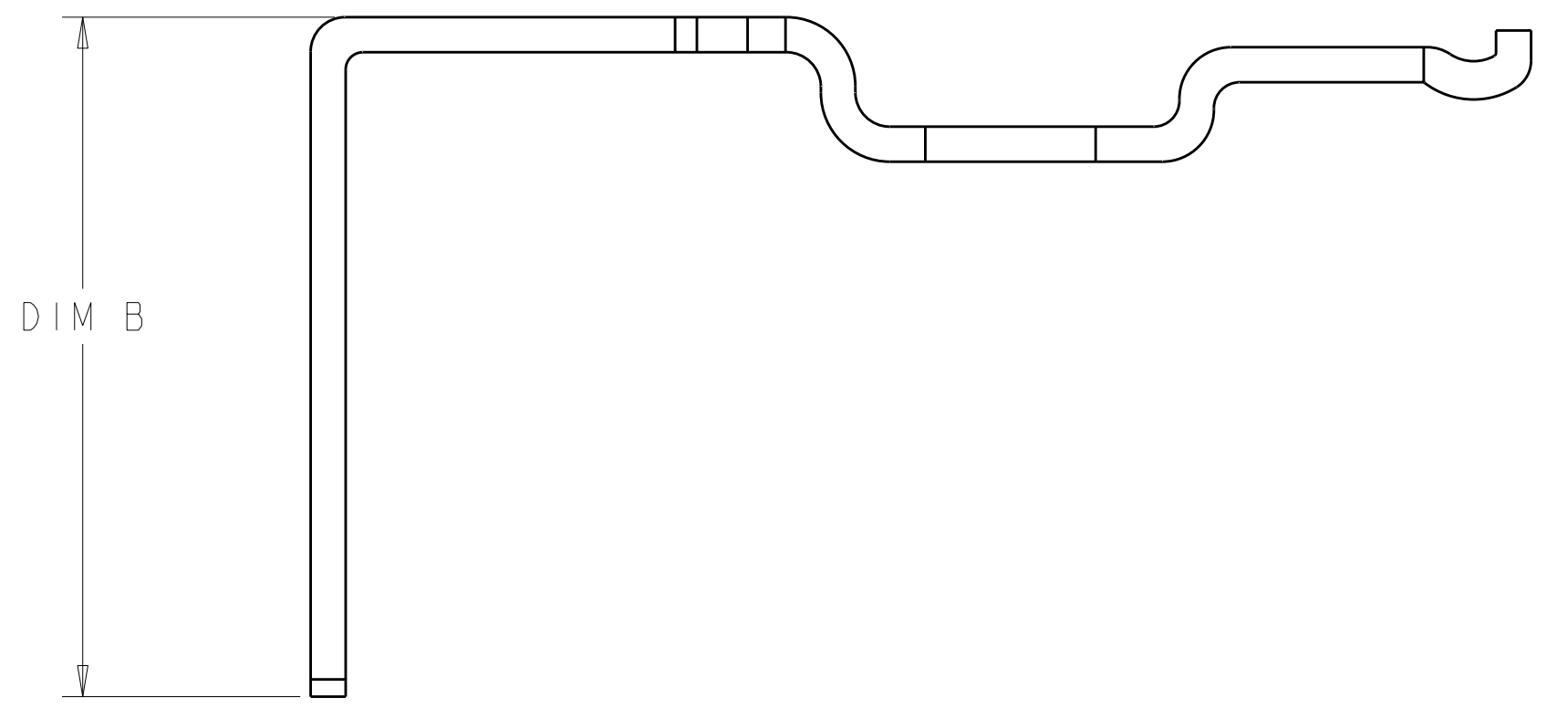
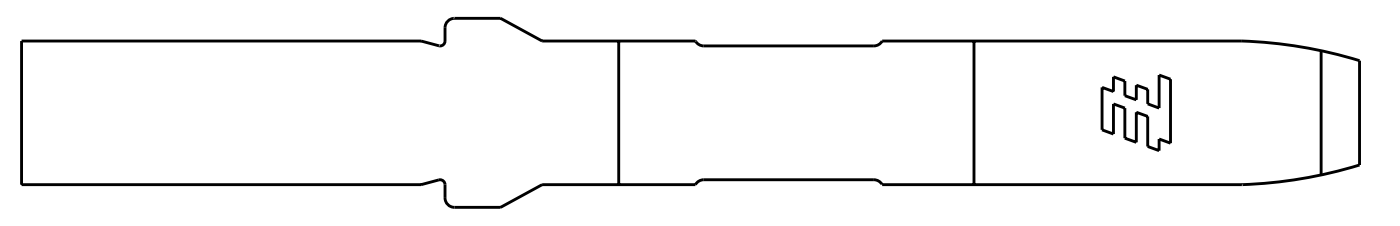
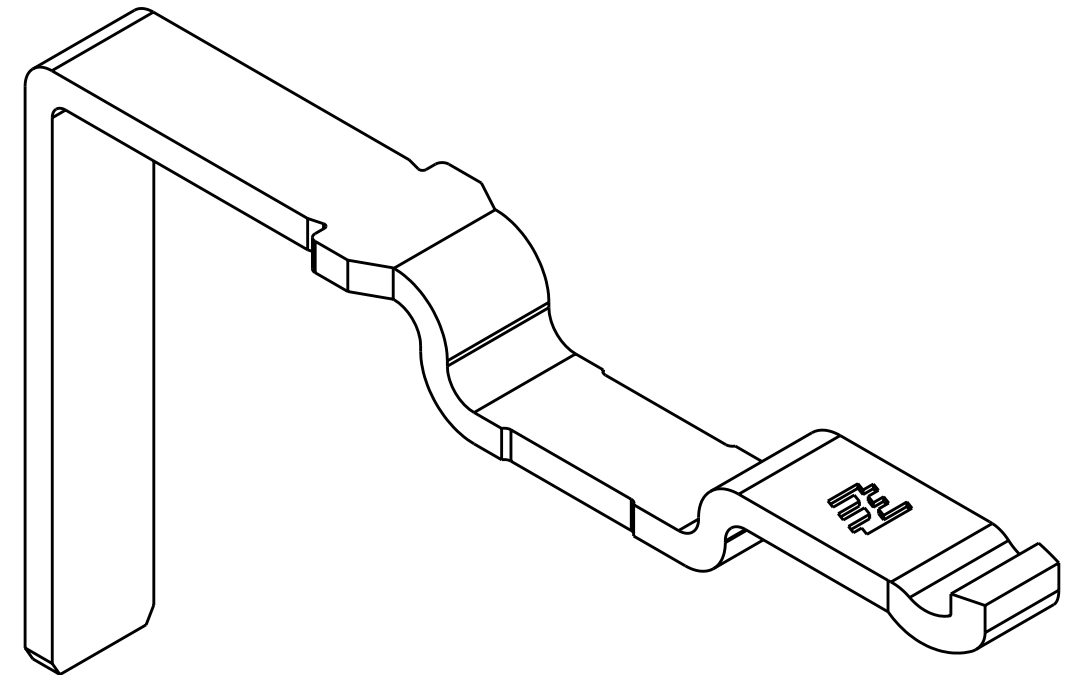
1744340-1

HOUSING 1445957, (NOT INCLUDED)



1744340-2

HOUSINGS 1445957, STACKED VERTICALLY (NOT INCLUDED)



RECOMMENDED BOARD LAYOUT

EXPAND AS NECESSARY PER APPLICATION

565.23 [0.876]	19.70 [0.776]	35.40 [1.394]	1744340-3
414.01 [0.642]	11.90 [0.469]	27.50 [1.083]	1744340-2
320.94 [0.497]	0.00 [0.000]	28.50 [1.122]	1744340-1
SURFACE AREA	DIM B	DIM A	PART NUMBER

THIS DRAWING IS A CONTROLLED DOCUMENT.		DWN: R. WHITAKER 22JUL2008	TE Connectivity
DIMENSIONS: mm [INCHES]		CHK: D. BOSSI 22JUL2008	
TOLERANCES UNLESS OTHERWISE SPECIFIED:		APVD: D. BOSSI 22JUL2008	
9 PLC ±.5 [.020]	5 PLC ±0.13 [0.005]	4 PLC ±.13 [0.005]	NAME: PCB CONTACT, HIGH POWER, POWER SERIES
ANGLES ±°	FINISH: BRIGHT TIN	WEIGHT: -	SIZE: CAGE CODE: DRAWING NO: A100779 C=1744340
MATERIAL: COPPER	RESTRICTED TO: -	CUSTOMER DRAWING	SCALE: 6:1 SHEET 1 OF 1 REV A



Mouser Electronics

Authorized Distributor

Click to View Pricing, Inventory, Delivery & Lifecycle Information:

[TE Connectivity:](#)

[1744340-1](#)