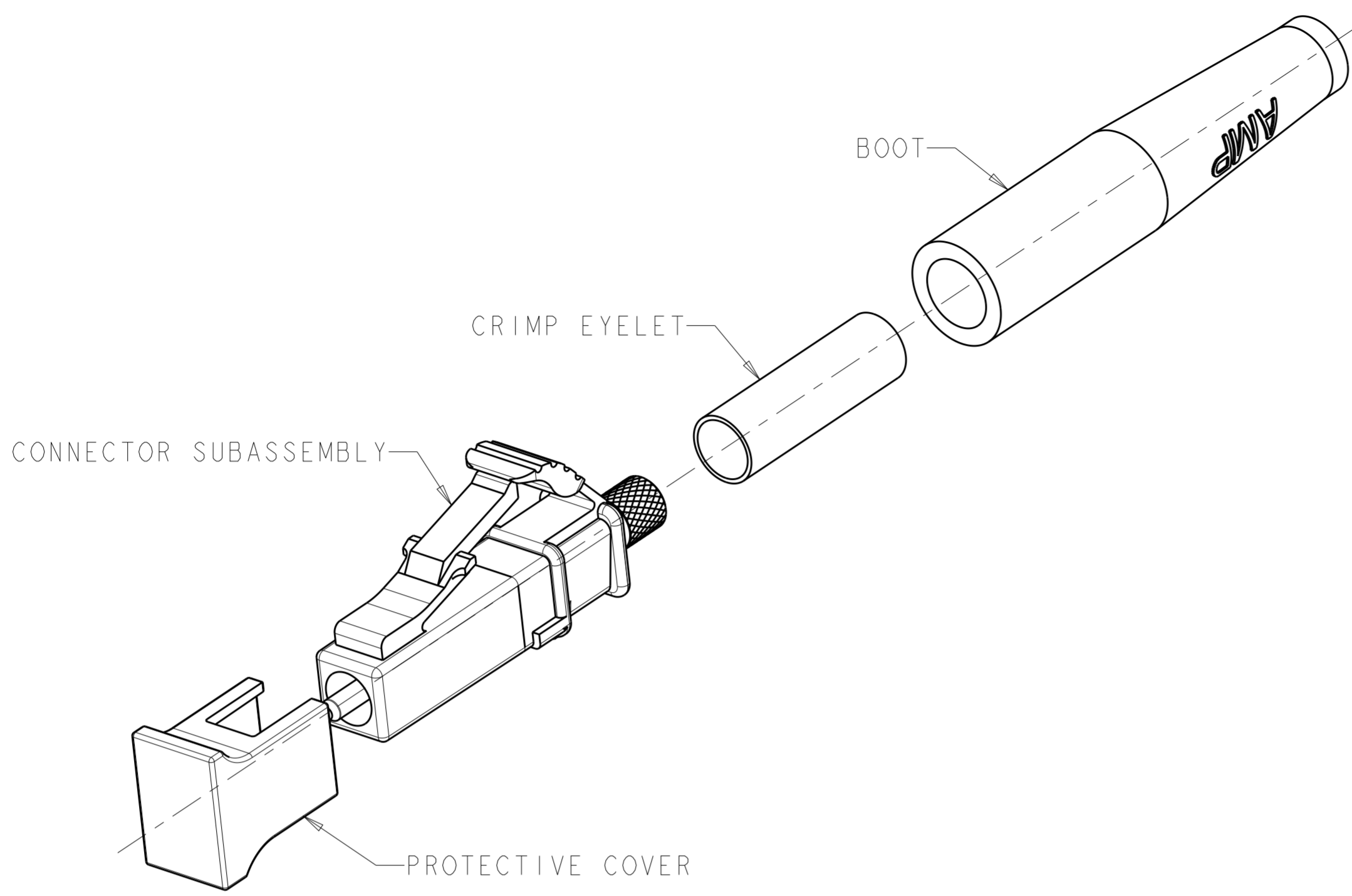


THIS DRAWING IS UNPUBLISHED. RELEASED FOR PUBLICATION  
© COPYRIGHT - BY TYCO ELECTRONICS CORPORATION. ALL INTERNATIONAL RIGHTS RESERVED.

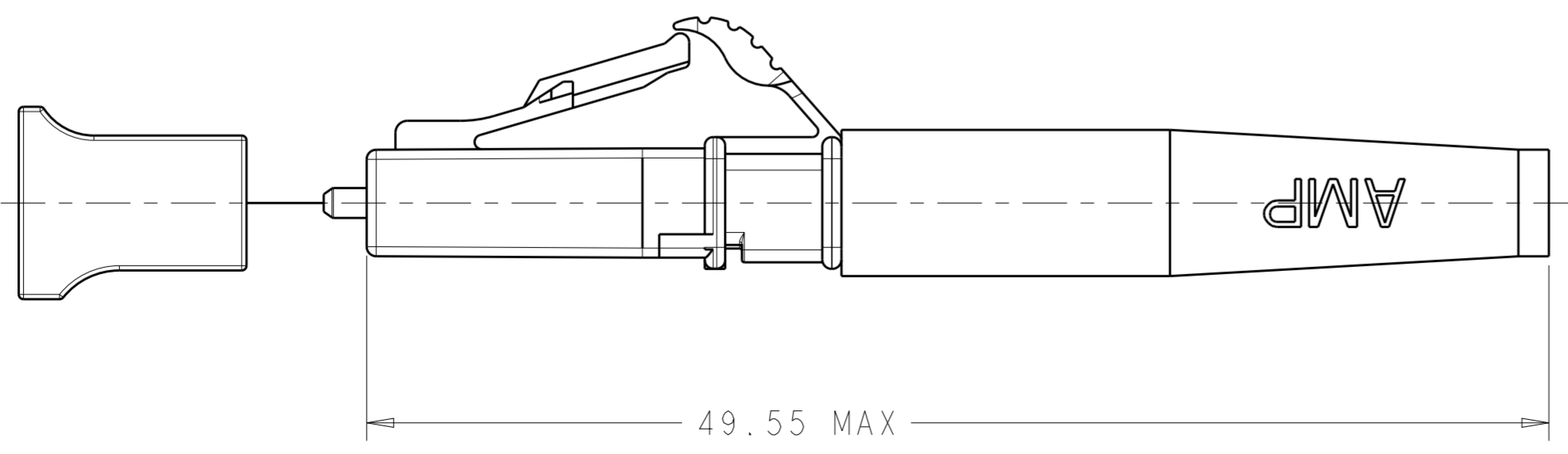
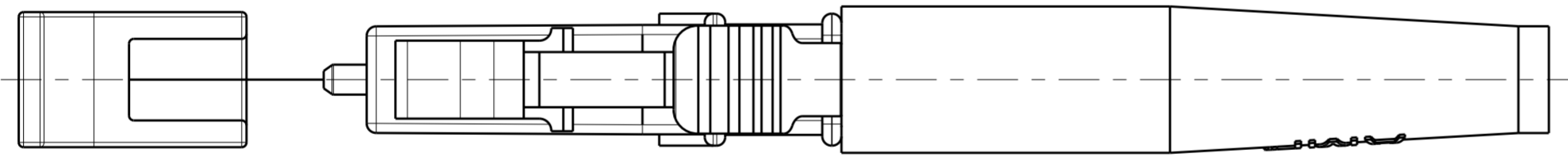
LOC	DIST	REVISIONS			
P	LTR	DESCRIPTION	DATE	DWN	APVD
HG	-	B2	REVISE NOTE 3	16MAR2009	BB SB
		C	REV PER ECR-10-009660	03JUN2010	IL CT
		D	REV PER ECO-13-009908	13JUN2013	JM TE



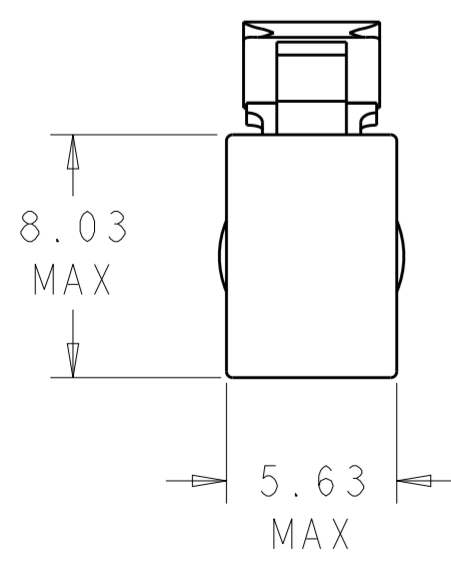
- 1 MATERIAL  
 PROTECTIVE COVER: PP, COLOR: WHITE, UL94 HB\*  
 FERRULE SUBASSEMBLY: ZIRCONIA/METAL  
 COMPRESSION SPRING: STAINLESS STEEL  
 FRONT HOUSING: PEI, COLOR: BEIGE, UL94 V-0\*  
 INNER TUBING: PTFE, COLOR: CLEAR, UL VW-1  
 REAR BODY: METAL  
 BOOT: TPE, UL94 V-0\*, SEE TABLE FOR COLOR  
 CRIMP EYELET: NICKEL PLATED BRASS  
 \*RATED AT QUALIFYING THICKNESS.

2 BULK PACKAGE.

3. INSTRUCTION SHEET: 408-8675 AVAILABLE FOR DOWNLOAD AT  
[www.tycoelectronics.com/documents](http://www.tycoelectronics.com/documents) OR  
[www.ampnetconnect.com/foguide](http://www.ampnetconnect.com/foguide).



2	BLACK	1918375-6
2	AQUA	1918375-5
	BLACK	1918375-4
	AQUA	1918375-3
2	BEIGE	1918375-2
	BEIGE	1918375-1
	BOOT COLOR	PART NUMBER



THIS DRAWING IS A CONTROLLED DOCUMENT FOR TYCO ELECTRONICS CORPORATION IT IS SUBJECT TO CHANGE AND THE CONTROLLING ENGINEERING ORGANIZATION SHOULD BE CONTACTED FOR THE LATEST REVISION.		DWN B. BRIGGS 25APR2006	Tyco Electronics Corporation Shanghai, China	
DIMENSIONS: mm		CHK D. ROHDE 25APR2006	NAME KIT, CONNECTOR, LC SIMPLEX, MM, 3.0mm JACKET	
TOLERANCES UNLESS OTHERWISE SPECIFIED:		APVD D. BAECHTLE 25APR2006	RESTRICTED TO	
0 PLC ±		PRODUCT SPEC	-	
1 PLC ±		APPLICATION SPEC	-	
2 PLC ±		WEIGHT	-	
3 PLC ±		SCALE	A2	
4 PLC ±		CUSTOMER DRAWING	-	
ANGLES ±		SIZE	-	
FINISH		CAGE CODE	-	
-		DRAWING NO	G-1918375	
-		SCALE	4:1	
-		SHEET	1 OF 1	
-		REV	D	

# Mouser Electronics

Authorized Distributor

Click to View Pricing, Inventory, Delivery & Lifecycle Information:

[TE Connectivity:](#)

[1918375-6](#)