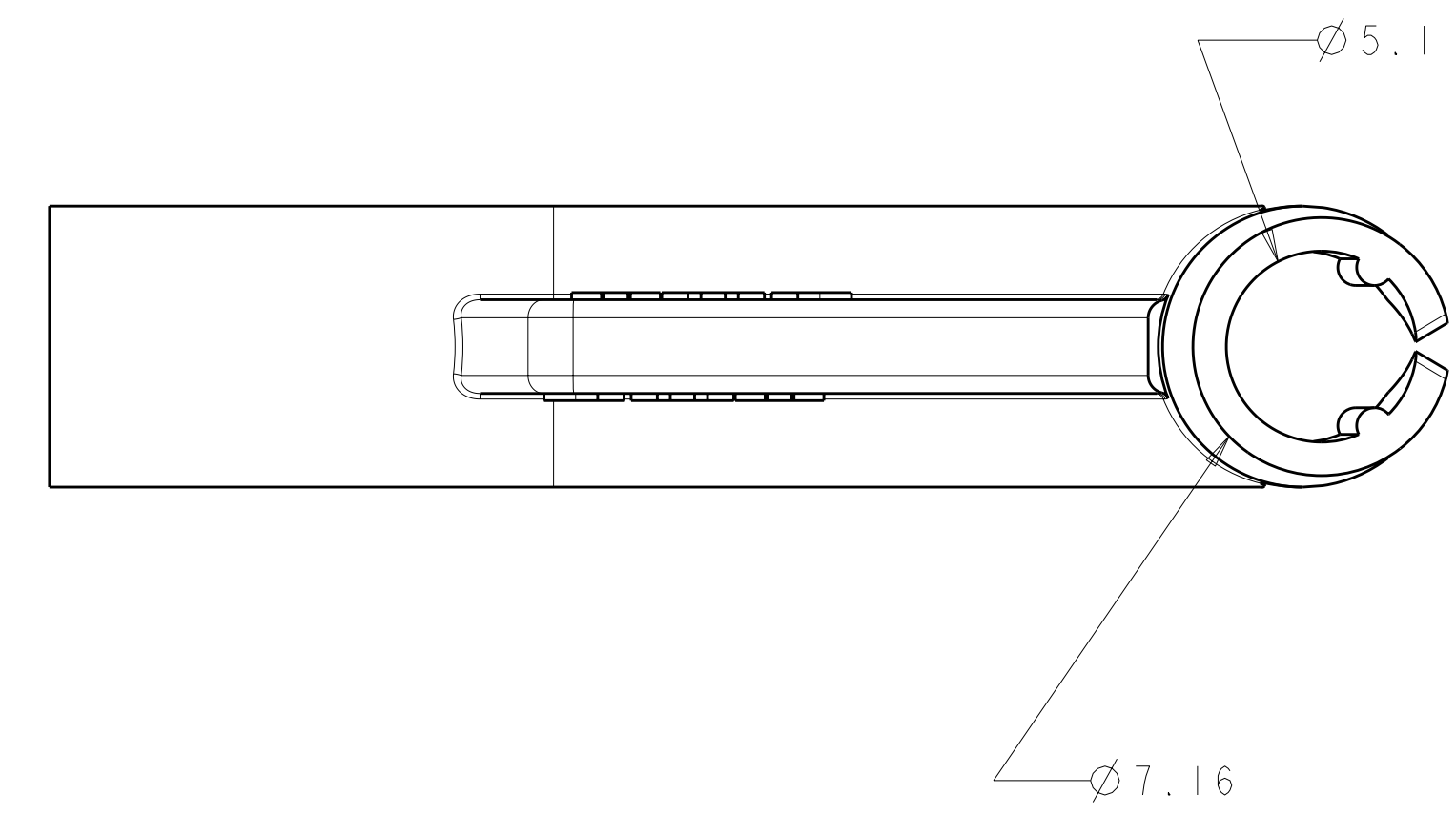
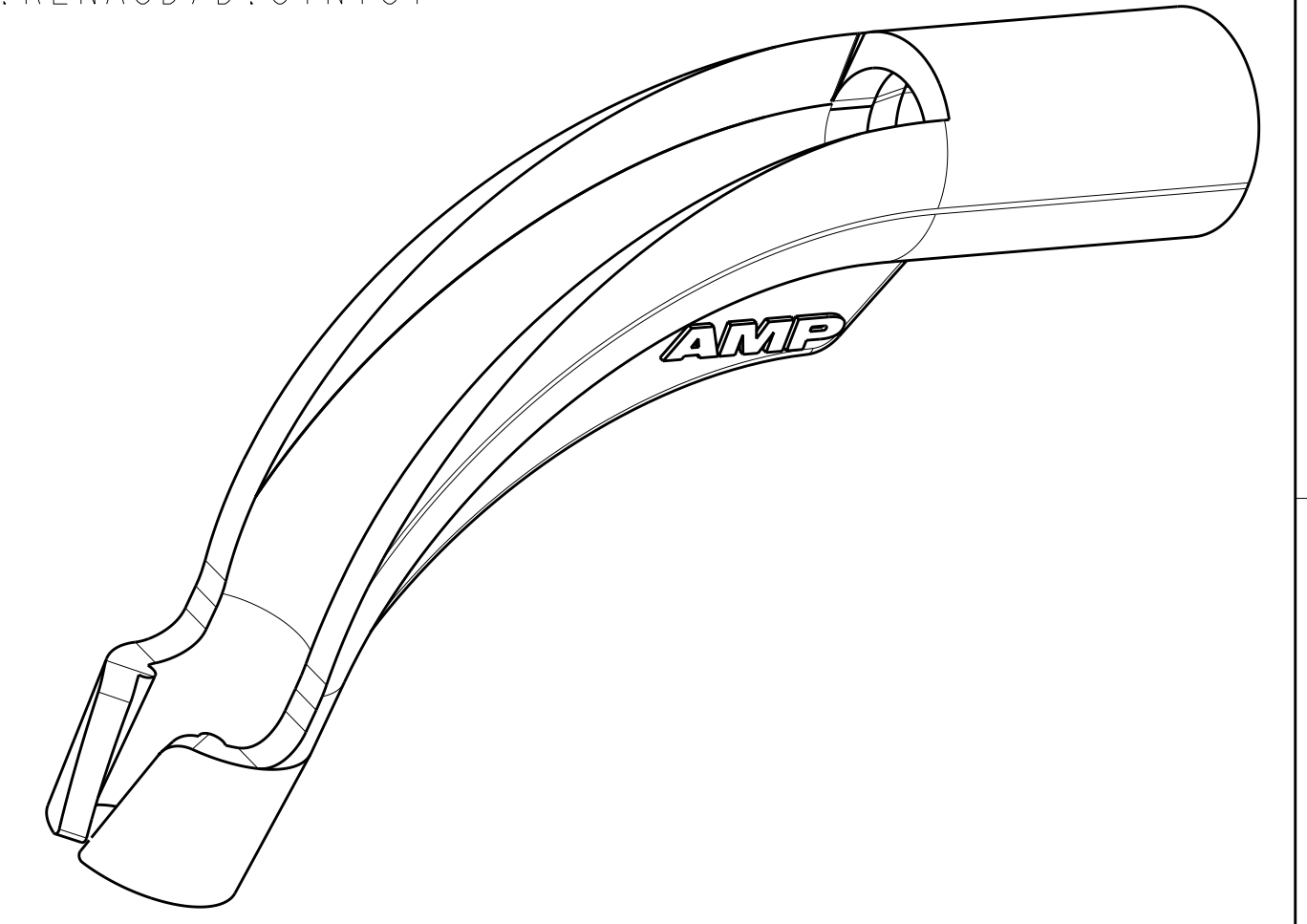
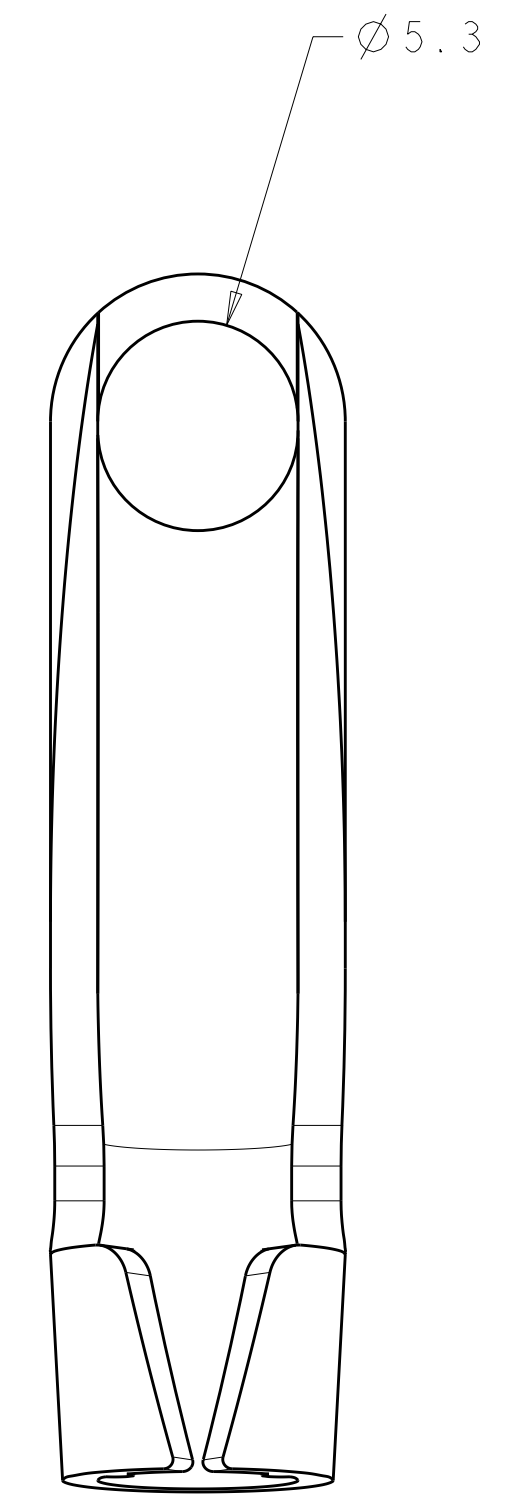
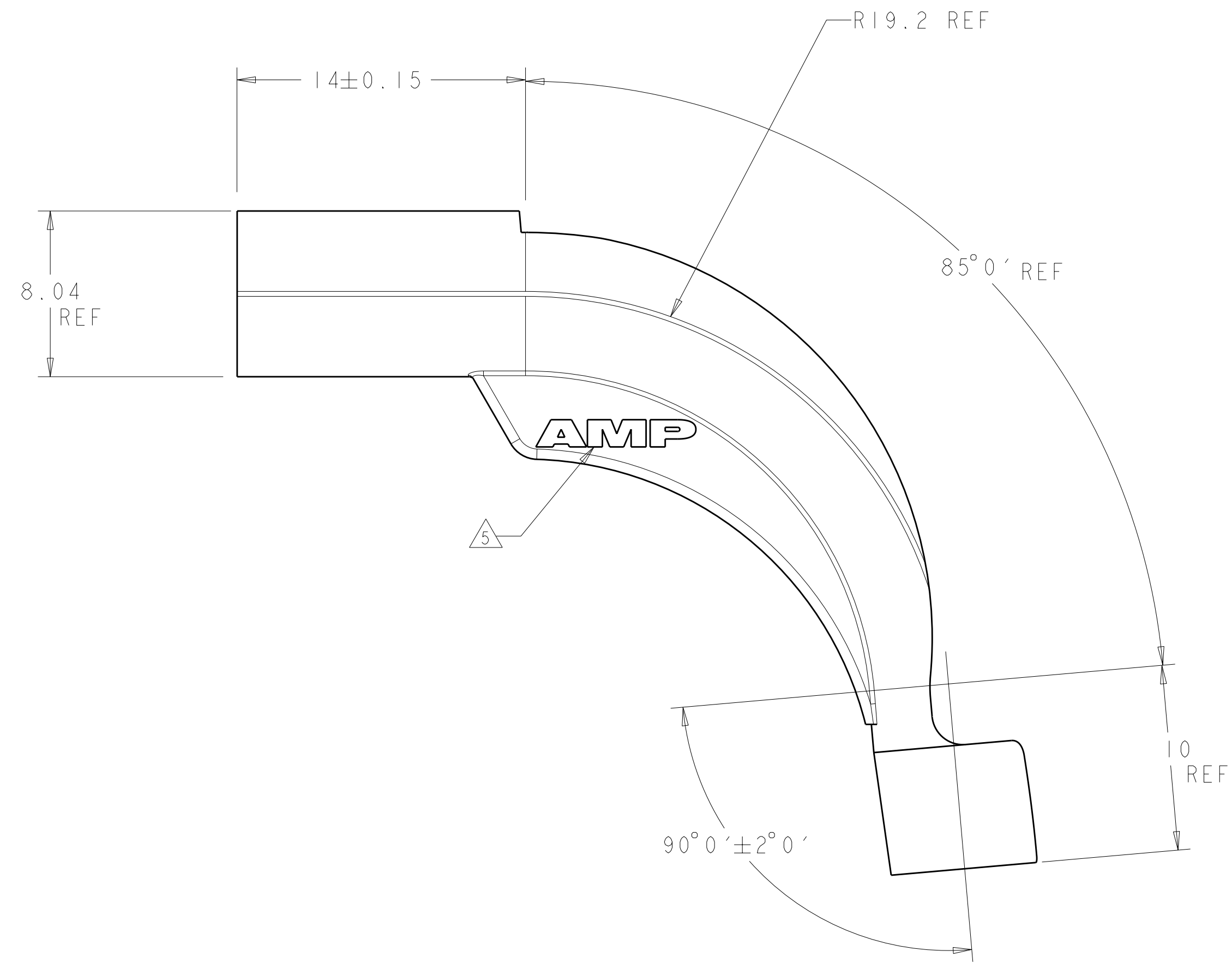
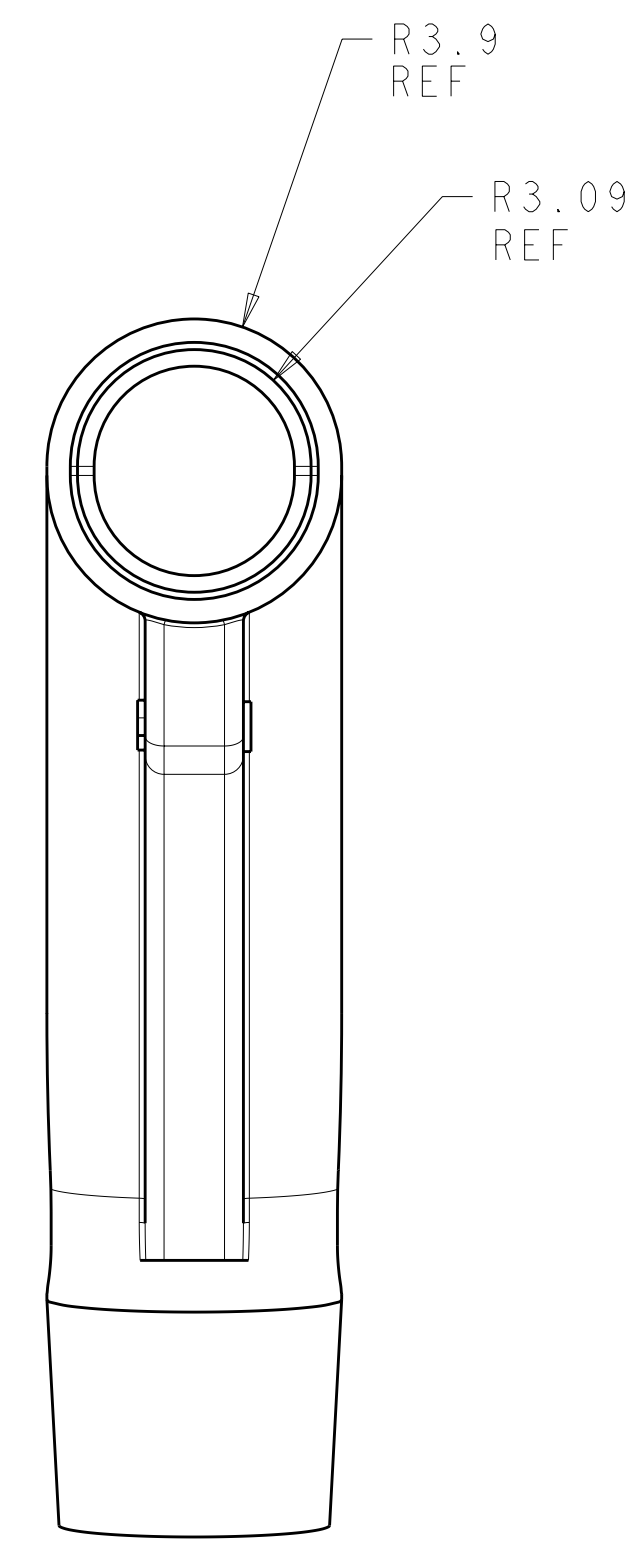


LOC	DIST	REV	DATE	BY	CHK	APPD
CE	16	0	9JUL2000	LM	SH	
		A	16AUG2000	SH	LM	
		B	01AUG2001	LM	SH	
		B1	10DEC2009	KK	AEQ	

- 1 MATERIAL: THERMOPLASTIC, COLOR:BLACK.
- 2 MATERIAL: THERMOPLASTIC, COLOR:GREEN.
- 3 MATERIAL: THERMOPLASTIC, COLOR:BLUE.
- 4 MATERIAL: THERMOPLASTIC, COLOR:RED.
- 5 MOLDED IN AMP LOGO FOR -1 THRU -4
- 6 OBSOLETE PARTS: OBSOLETE CIS STREAMLINING PER D.RENAUD/D.SINISI



AMP LOGO	COLOR	MATERIAL	PART NUMBER
OBSOLETE 6	NO	RED	1374703-8
	NO	BLUE	1374703-7
	NO	GREEN	1374703-6
	NO	BLACK	1374703-5
	YES	RED	1374703-4
	YES	BLUE	1374703-3
OBSOLETE 6	YES	GREEN	1374703-2
	YES	BLACK	1374703-1

DIMENSIONS: mm TOLERANCES UNLESS OTHERWISE SPECIFIED: 9 PLC ±0.25 3 PLC ±0.2 5 PLC ±0.13 4 PLC ± ANGLES ± FINISH ±		DWN: 2 MAY 2000 CHK: MORNINGSTAR S. HILKER APPD: 01 JUL 2000 F. ARENDSCHEIN		Tyco Electronics Harrisburg, PA 17105-3608	
MATERIAL: - FINISH: -		PRODUCT SPEC: - APPLICATION SPEC: - WEIGHT: -		NAME: OPEN DIRECTOR LIGHTRAY MPX SIZE: A1 CAGE CODE: C- DRAWING NO: 1374703 RESTRICTED TO: -	
CUSTOMER DRAWING				SCALE: 5:1	SHEET 1 OF 1

# Mouser Electronics

Authorized Distributor

Click to View Pricing, Inventory, Delivery & Lifecycle Information:

[TE Connectivity:](#)

[1374703-4](#)