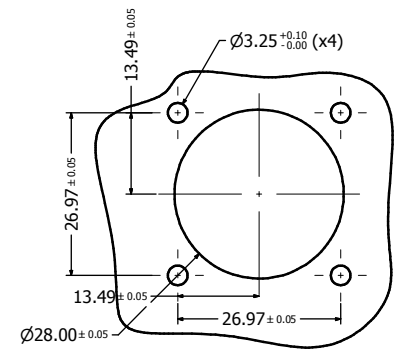
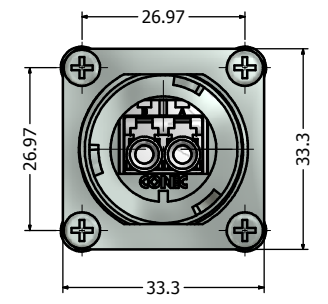
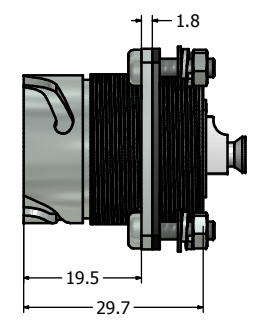
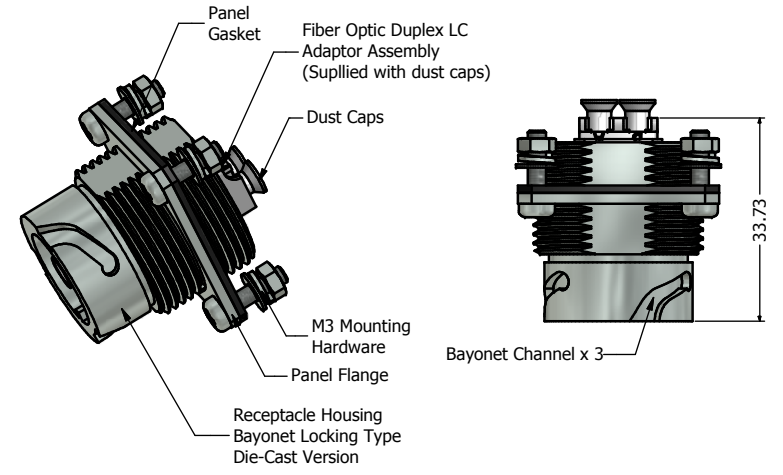


Recommended Double-D Panel Cutout



Recommended Round Panel Cutout



- Notes:**
- Material and Finish:
    - Receptacle Housing & Protective Cover: Die-Cast, Nickel Plated
    - Panel Gasket: NBR, Color: Black
    - M3 Mounting Hardware: Stainless Steel includes 4 x (screw + nut + flat washer + spring lock washer)
    - Cover Gasket: Silicon, Color: White
    - Ball Chain Assembly, Copper Alloy and Stainless steel, Nickel Plated
  - Connector can be front or rear mounted to a maximum panel thickness of 3.2mm.
  - IP67 rated when covered or fully mated with the appropriate mating connector
  - Hardware shipped unassembled

Description	Part Number
Nickel Plated Die-Cast Duplex LC Single Mode Receptacle + Cover Assembly	17-300700
Nickel Plated Die-Cast Duplex LC Multi Mode Receptacle Cover Assembly	17-300710
Nickel Plated Die-cast Duplex LC APC Single Mode Receptacle Cover Assembly	17-300720

Directive 2002/95/EC RoHS Compliant

THIS DRAWING MAY NOT BE COPIED OR REPRODUCED IN ANY MANNER AND MAY NOT BE PASSED ON TO A THIRD PARTY WITHOUT WRITTEN PERMISSION. OWNERSHIP AND COPYRIGHT OF CONEC CORPORATION.	Customer:		Tolerance Unless otherwise specified			Scale:	Dim. in mm	
	Name	Title	Approval Date	0 PLC ±0.30 1 PLC ±0.20 2 PLC ±0.10 3 PLC ±0.05 ANGLES ±1°		Autodesk Inventor	Material: See Notes	
				2012	Date	Name	Title: IP67 Industrial Duplex LC Receptacle (with Flange) + Cover Kit Nickel Plated Zinc Die-Cast Version	
				Draw.	Apr. 17	Vincent Ke		
			Appd.	Apr. 17	J. Chaudry			
						Drawing No.: 17K1A327		
						Part No.: SEE PART NUMBER TABLE		
						DIN A3		
						Sheet 1/1		



# Mouser Electronics

Authorized Distributor

Click to View Pricing, Inventory, Delivery & Lifecycle Information:

[CONEC:](#)

[17-300710](#) [17-300720](#) [17-300700](#)