

High Frequency Ceramic Solutions

1.8GHz 1:4 RF Balun with DC-Feed Option for For DCS/PCS/ UMTS/CDMA/LTE

P/N 1800BL18B200

Detail Specification 5/22/2013

Page 1 of 3

General Specifications

Differential Balanced Imped.	200 Ω	Reel Quantity	3,000
Unbalanced Single Ended Imp.	50 Ω		
Operating Frequency 1 (MHz)	1700 - 1900	Recommended Storage Conditions	+5~+35°C, 18 mos. max. Humidity 45~75%RH
Insertion Loss 1 (-40 to +85°C)	0.8 dB max.		
Operating Frequency 2 (MHz)	1700 - 2200	Operating Temperature	-40 to +85°C
Insertion Loss 2 (-40 to +85°C)	0.85 dB max.		
Return Loss (1&2)	11 dB min.		
Phase Difference (deg.)	180 ± 10		
Amplitude Difference	2 dB max.		
Power Capacity	2W max. (CW)		
Case Size	EIA 1206		



Mechanical Dimensions

	In	mm
L	0.13 ± 0.01	3.2 ± 0.15
W	0.06 ± 0.01	1.6 ± 0.15
T	0.04 ± 0.00	1.0 ± 0.10
a	0.02 ± 0.01	0.6 ± 0.15
b	0.01 ± 0.01	0.4 ± 0.15
c	0.01 +0.004/-0.008	0.3 +0.1/-0.2
g	0.02 ± 0.01	0.4 ± 0.15
p	0.04 ± 0.00	1.0 ± 0.10

Terminal Configuration

No.	Function	No.	Function
1	GND or DC feed + RF GND	4	Balanced Port (OUT1)
2	Unbalanced Port (IN)	5	NC
3	GND or DC feed + RF GND	6	Balanced Port (OUT2)

Mounting Considerations

With DC Feed

Without DC Feed

Solder Resist
 Land
 Through-hole (φ 0.3)

* Line width should be designed to match 50Ω characteristic impedance, depending on PCB material and thickness.
 ** By-pass capacitors should be connected when feeding DC power.

Johanson Technology, Inc. reserves the right to make design changes without notice.
 All sales are subject to Johanson Technology, Inc. terms and conditions.



High Frequency Ceramic Solutions

1.8GHz 1:4 RF Balun with DC-Feed Option For DCS/PCS/ UMTS/CDMA/LTE

P/N 1800BL18B200

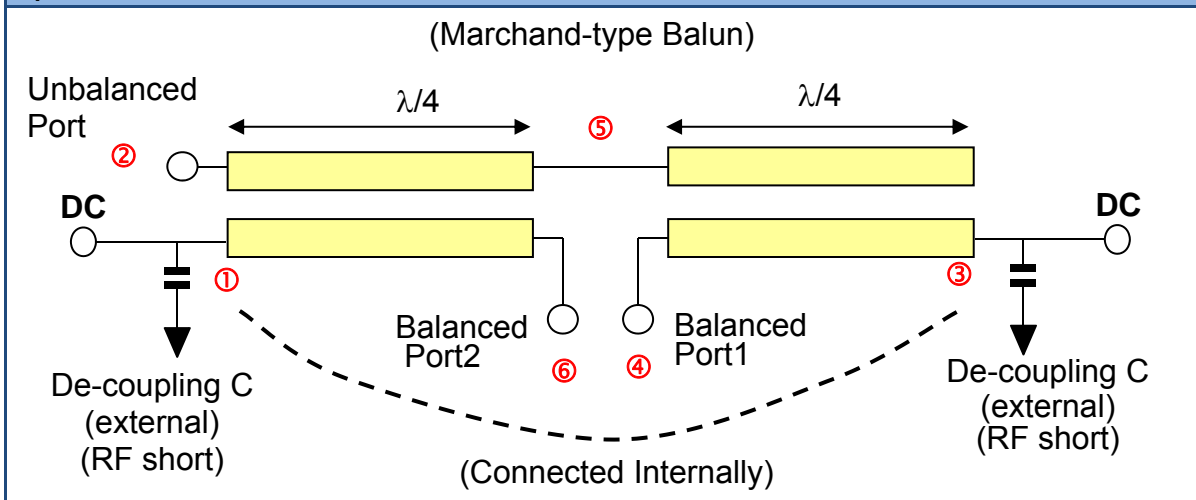
Detail Specificatic 5/22/2013

Page 1 of 3

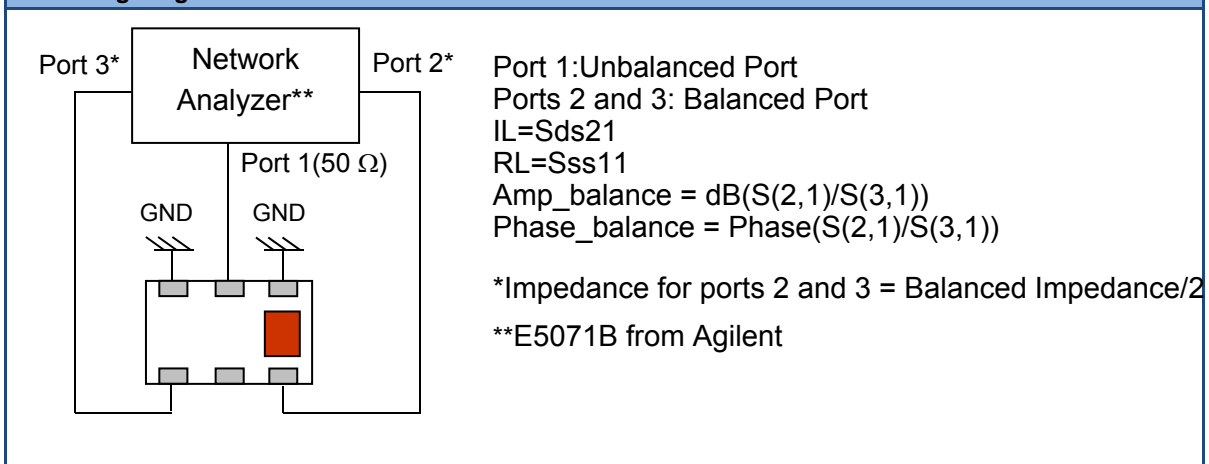
Part Number Explanation

P/N Suffix	Packing Style	Bulk	Suffix = S	eg. 1800BL18B200S
		T & R	Suffix = E	eg. 1800BL18B200E
Evaluation Board				1800BL18B200-EB2SMA

Equivalent Circuit



Measuring Diagram



Johanson Technology, Inc. reserves the right to make design changes without notice.

All sales are subject to Johanson Technology, Inc. terms and conditions.

High Frequency Ceramic Solutions

1.8GHz 1:4 RF Balun with DC-Feed Option for For DCS/PCS/ UMTS/CDMA/LTE

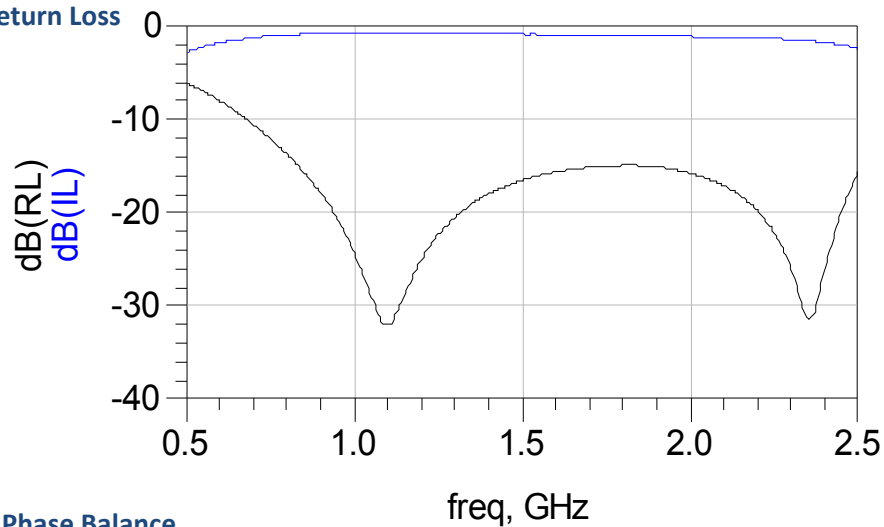
P/N 1800BL18B200

Detail Specificatic 5/22/2013

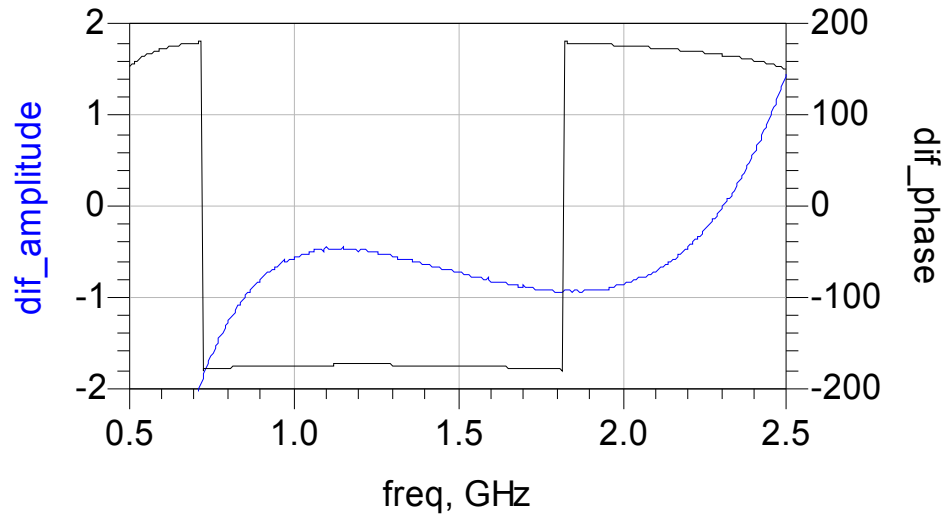
Page 3 of 3

Typical Electrical Performance (T=25°C)

Insertion and Return Loss



Amplitude and Phase Balance



Tape & Reel Specifications

<http://www.johansontechnology.com/ipcpackaging.html>

Soldering Profile

<http://johansontechnology.com/ipcsoldering-profile>

Johanson Technology, Inc. reserves the right to make design changes without notice.

All sales are subject to Johanson Technology, Inc. terms and conditions.



www.johansontechnology.com

4001 Calle Tecate • Camarillo, CA 93012 • TEL 805.389.1166 FAX 805.389.1821

Ver. 1.1

2013 Johanson Technology, Inc. All Rights Reserved

Mouser Electronics

Authorized Distributor

Click to View Pricing, Inventory, Delivery & Lifecycle Information:

[Johanson:](#)

[1800BL18B200E](#)