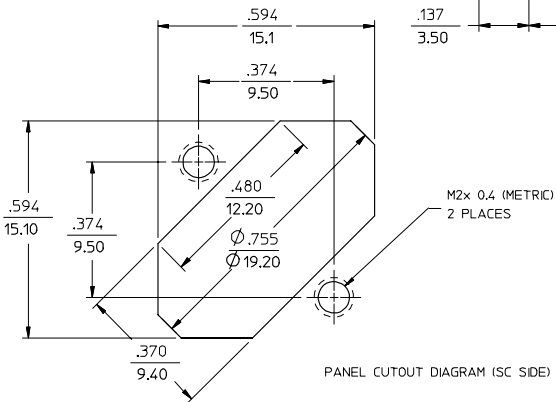
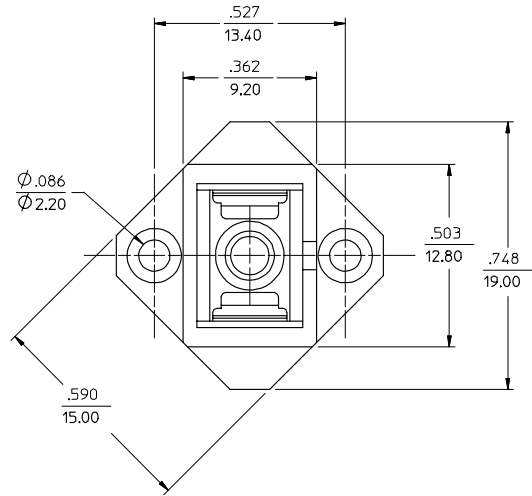
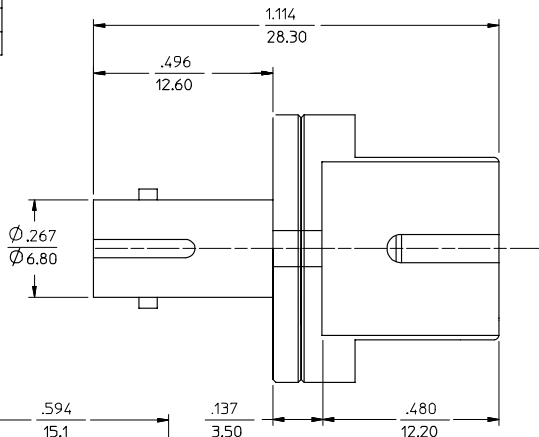


MOLEX P/N	MATERIAL OF SLEEVE
106160-0980	PHOSPHOR BRONZE
106161-0980	ZIRCONIA



PANEL CUTOUT DIAGRAM (SC SIDE)

ENTER DESCRIPTION EC NO: MF2006-0260 DRAWN/RPACIFICI 2005/11/18 CHKD: 2005/11/18 APPR: GDMIN 2005/11/18	QUALITY SYMBOLS ▽=0 ▽=0	GENERAL TOLERANCES (UNLESS SPECIFIED)		DIMENSION STYLE IN/MM	SCALE 4:1	DESIGN UNITS INCH	THIRD ANGLE PROJECTION		
		4 PLACES ± --- ± ---	3 PLACES ± --- ± ---	DRAWN BY RPACIFICI	DATE 2005/10/13	TITLE ST/SC METAL ADAPTER SQUARE FLANGE			
		2 PLACES ± --- ± ---	1 PLACE ± --- ± ---	CHECKED BY	DATE				
		ANGULAR ±1/2°		APPROVED BY	DATE	MOLEX MOLEX INCORPORATED	MATERIAL NO.	DOCUMENT NO. SD-10616X-0980	SHEET NO. 1 OF 01
DRAFT WHERE APPLICABLE MUST REMAIN WITHIN DIMENSIONS		SIZE B	THIS DRAWING CONTAINS INFORMATION THAT IS PROPRIETARY TO MOLEX INCORPORATED AND SHOULD NOT BE USED WITHOUT WRITTEN PERMISSION						