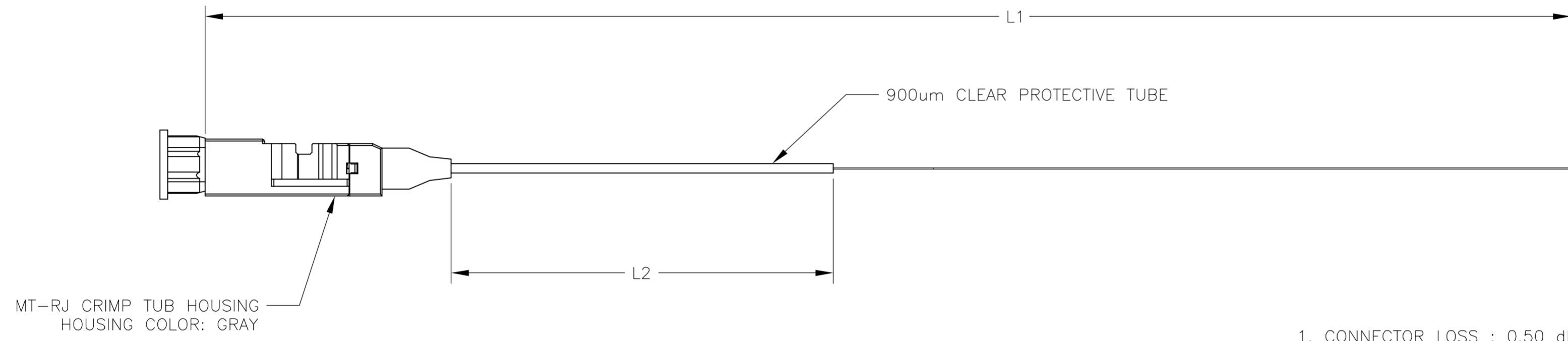
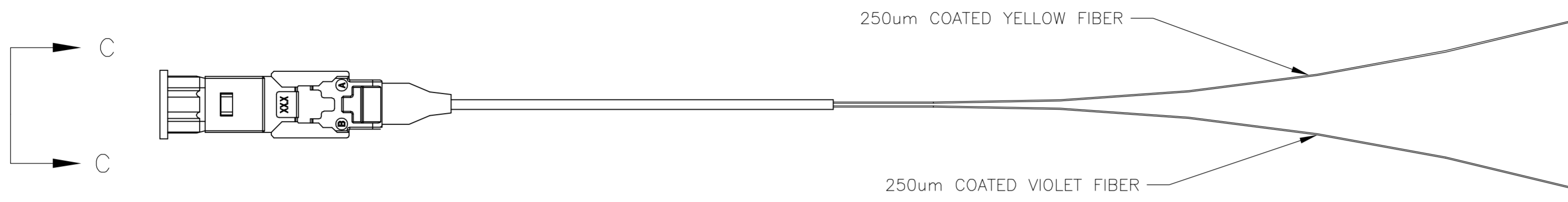


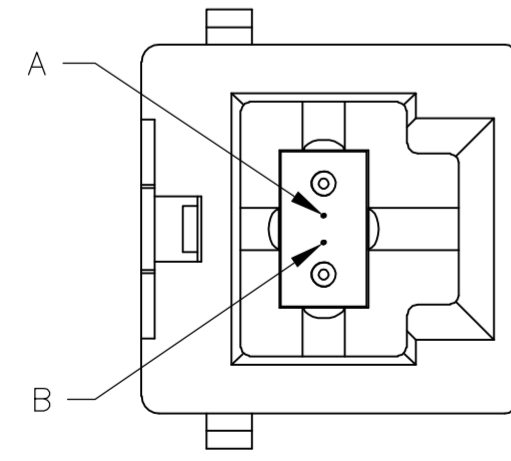
THIS DRAWING IS UNPUBLISHED. RELEASED FOR PUBLICATION  
 © COPYRIGHT BY TYCO ELECTRONICS CORPORATION. ALL RIGHTS RESERVED.

LOC	DIST	REVISIONS					
CE	16	P	LTR	DESCRIPTION	DATE	OWN	APVD
		A		RELEASED	24MAR06	JWD	DF



MT-RJ CRIMP TUB HOUSING  
 HOUSING COLOR: GRAY

- CONNECTOR LOSS : 0.50 dB MAX.
- PRODUCT AND PROCESSING MUST MEET REQUIREMENTS OF TYCO ELECTRONICS STANDARD 230-702



FIBER COLOR	MT-RJ JACK POSITION
YELLOW	A
VIOLET	B

2.5±0.05	3.00±0.08	1938008-3
1.5±0.05	2.00±0.05	1938008-2
0.5±0.03	1.00±0.05	1938008-1
L2	L1	PART NUMBER

THIS DRAWING IS A CONTROLLED DOCUMENT.		DWN J.W.DAVIS 24MAR06	Tyco Electronics Corporation Harrisburg, PA 17105-3608	
DIMENSIONS: METERS		CHK D.FENNELL 24MAR06	NAME D.CARTER	
		APVD D.CARTER 24MAR06	PRODUCT SPEC	
TOLERANCES UNLESS OTHERWISE SPECIFIED:		APPLICATION SPEC		
0 PLC ± -		WEIGHT		
1 PLC ± -		SIZE A2		
2 PLC ± -		CAGE CODE 00779		
3 PLC ± -		DRAWING NO C-1938008		
4 PLC ± -		RESTRICTED TO		
ANGLES ± -		CUSTOMER DRAWING		
FINISH -		SCALE NTS		
		SHEET 1 OF 1		
		REV A		

1938008

# Mouser Electronics

Authorized Distributor

Click to View Pricing, Inventory, Delivery & Lifecycle Information:

[TE Connectivity:](#)

[1938008-1](#)