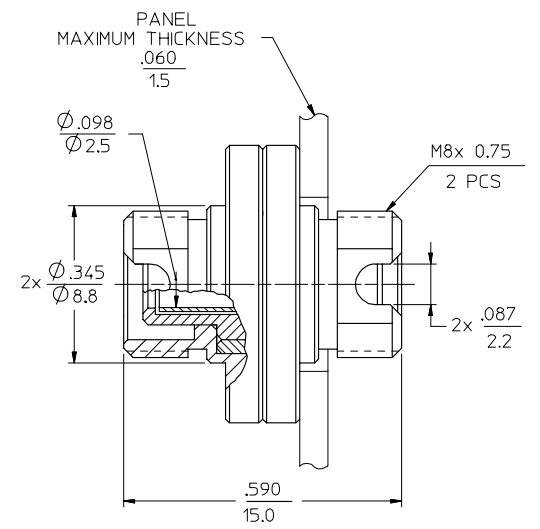
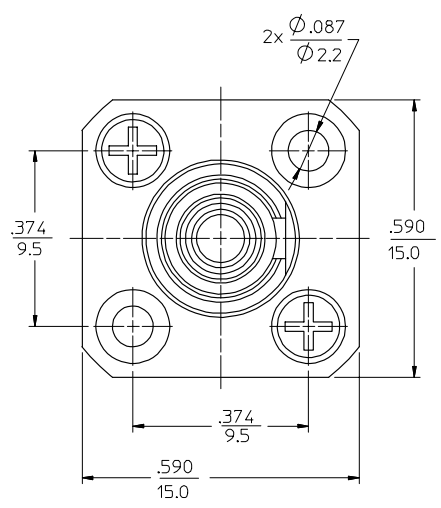
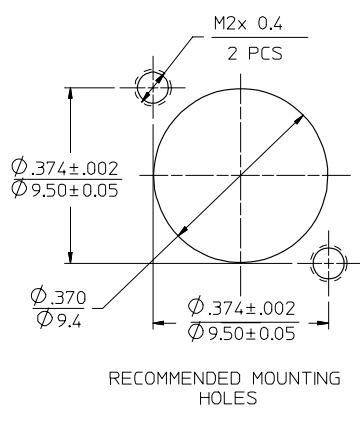


10	9	8	7	6	5	4	3	2	1
P/N OF ADAPTER	MATERIAL OF SLEEVE								
106152-0000	CERAMIC								
106156-0000	PHOSPHOR BRONZE								



NOTE:  
1. DUST CAPS ARE INCLUDED, BUT NOT SHOWN

ENTER DESCRIPTION EC NO: MF2006-0270 DRAWN: PGIBLIN 2005/10/06 CHKD: 2005/10/06 APPR: GIBLIN 2005/10/06 REV: A	QUALITY SYMBOLS	GENERAL TOLERANCES (UNLESS SPECIFIED)	DIMENSION STYLE	SCALE	DESIGN UNITS	THIRD ANGLE PROJECTION															
	$\nabla=0$ $\sphericalangle=0$	<table border="1"> <tr> <th></th> <th>mm</th> <th>INCH</th> </tr> <tr> <td>4 PLACES</td> <td>± ---</td> <td>± .0002</td> </tr> <tr> <td>3 PLACES</td> <td>± 0.005</td> <td>± .005</td> </tr> <tr> <td>2 PLACES</td> <td>± 0.13</td> <td>± .01</td> </tr> <tr> <td>1 PLACE</td> <td>± 0.25</td> <td>± ---</td> </tr> </table>		mm	INCH	4 PLACES	± ---	± .0002	3 PLACES	± 0.005	± .005	2 PLACES	± 0.13	± .01	1 PLACE	± 0.25	± ---	IN/MM	5:1	INCH	
		mm	INCH																		
	4 PLACES	± ---	± .0002																		
3 PLACES	± 0.005	± .005																			
2 PLACES	± 0.13	± .01																			
1 PLACE	± 0.25	± ---																			
DRAFT WHERE APPLICABLE MUST REMAIN WITHIN DIMENSIONS	<table border="1"> <tr> <td>DRAWN BY</td> <td>DATE</td> </tr> <tr> <td>PGIBLIN</td> <td>2005/10/25</td> </tr> <tr> <td>CHECKED BY</td> <td>DATE</td> </tr> <tr> <td>APPROVED BY</td> <td>DATE</td> </tr> </table>	DRAWN BY	DATE	PGIBLIN	2005/10/25	CHECKED BY	DATE	APPROVED BY	DATE	TITLE	FC TYPE ADAPTER										
DRAWN BY	DATE																				
PGIBLIN	2005/10/25																				
CHECKED BY	DATE																				
APPROVED BY	DATE																				
		MATERIAL NO.	DOCUMENT NO.	MOLEX INCORPORATED																	
		SEE TABLE	SD-10615X-0000	STEEY NO. 1 OF 01																	
		THIS DRAWING CONTAINS INFORMATION THAT IS PROPRIETARY TO MOLEX INCORPORATED AND SHOULD NOT BE USED WITHOUT WRITTEN PERMISSION																			