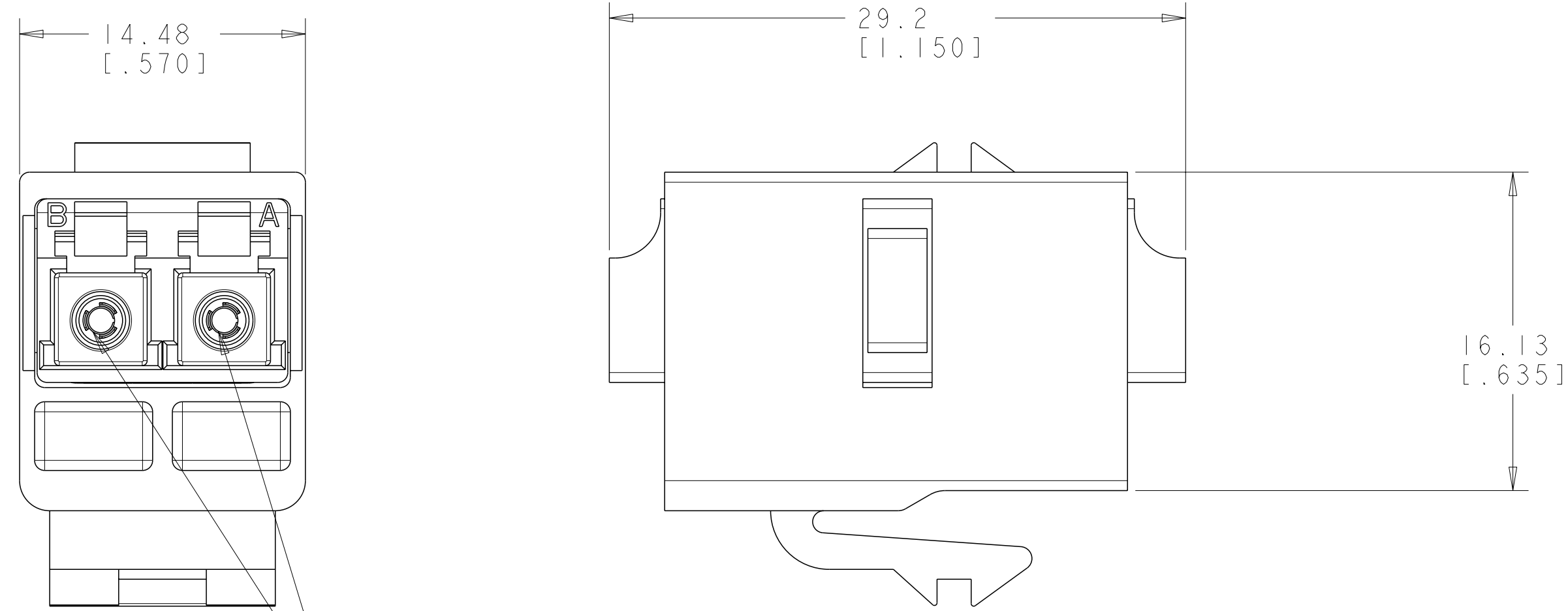


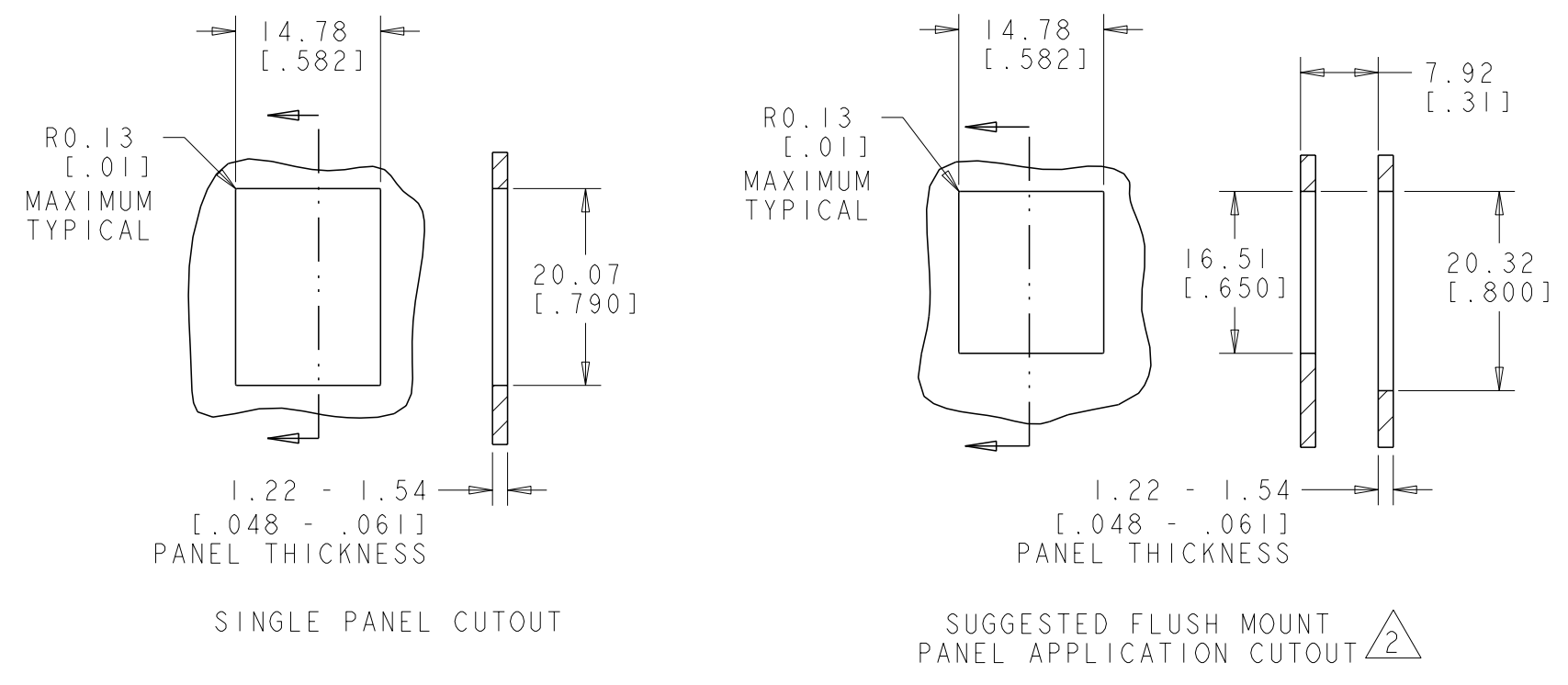
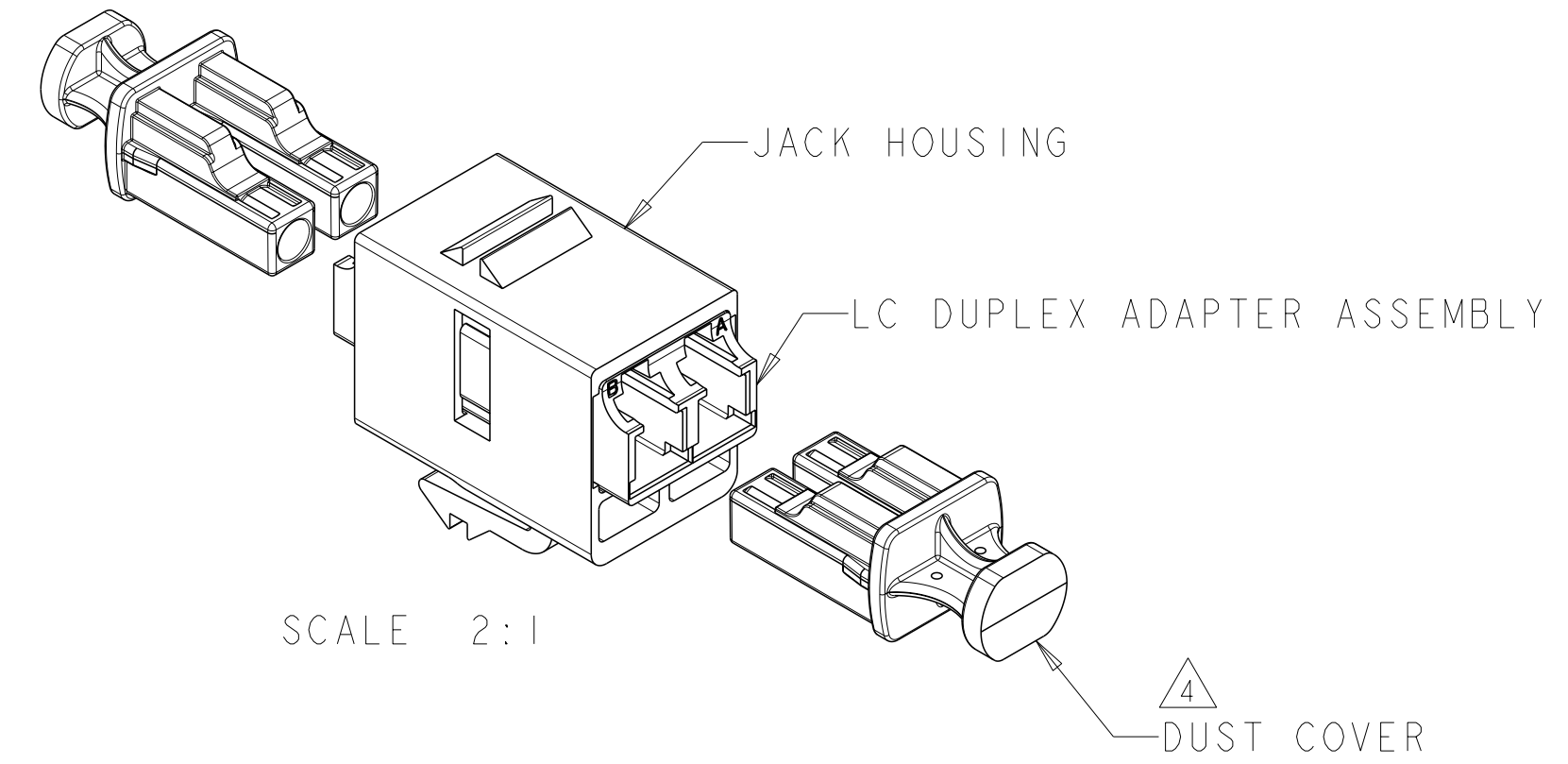
THIS DRAWING IS UNPUBLISHED. RELEASED FOR PUBLICATION 20
 © COPYRIGHT 20 BY - ALL RIGHTS RESERVED.

REVISIONS				
P	LTR	DESCRIPTION	DATE	APVD
B		REV; 40026011MCO	04MAR2016	GG TE



- 1 MATERIAL: JACK HOUSING - POLYPHENYLENE OXIDE, 94V-0 RATED. SEE TABLE FOR COLOR. LC DUPLEX ADAPTER ASSEMBLY - ULTEM 1010R. SEE TABLE FOR COLOR.
- 2 THESE TWO SUGGESTED CUTOUT OPENINGS ARE USED IN TANDEM WITH DUAL FRONT AND BACK CUTOUTS.
- 3 PACKAGED ONE ASSEMBLY PER POLYBAG.
- 4 DUST COVERS SHOWN NOT ASSEMBLED BUT SHIPPED ASSEMBLED TO DUPLEX LC ADAPTER.

ALIGNMENT SLEEVE, BRONZE
 QUANTITY 2



3	BEIGE	BEIGE	1-2111342-2
	BEIGE	GREEN	2111342-3
	BEIGE	RED	2111342-1
PACKAGE	ADAPTER COLOR	HOUSING COLOR	PART NUMBER
THIS DRAWING IS A CONTROLLED DOCUMENT.		DWN G. GARRETT 25OCT2010	 TE Connectivity
DIMENSIONS: MM [INCHES]		CHK R. ASHBY 25OCT2010	
TOLERANCES UNLESS OTHERWISE SPECIFIED:		APVD R. ASHBY 25OCT2010	
0 PLC ± 1 PLC ± 2 PLC ± 3 PLC ± 4 PLC ± ANGLES ± FINISH -		NAME DUPLEX, LC ADAPTER, MM, SL HOUSING SIZE A2 CAGE CODE - DRAWING NO G-2111342 RESTRICTED TO -	
MATERIAL	1	WEIGHT -	SCALE 4:1 SHEET 1 OF 1 REV B
CUSTOMER DRAWING			

Mouser Electronics

Authorized Distributor

Click to View Pricing, Inventory, Delivery & Lifecycle Information:

[TE Connectivity:](#)

[1-2111342-2](#)