

FK3 MAXI® STYLE BLADE FUSE RATED 32V

RoHS



Description

The FK3 32V automotive standard fuse link in MAXI® size. Three part construction with copper contacts for excellent reliability in harsh environment conditions with low voltage drop. Current ratings 20A thru 100A. With see-through cover for easy detection of blown fuses.

Specifications

Insulating Body:	Out of thermoplastic (UL 94-V0, heat-resistant)
Cover:	Out of thermoplastic (UL 94-V0, heat-resistant)
Terminals:	Blade contacts Copper alloy, gal. Sn Edge-protected
Interrupting Rating:	1000 A @32 VDC
Complies with:	SAE J 1888 ISO 8820-3:2002(E) UL 248 Special Purpose Fuses

Ordering Information

Part Number	Package Size
169.6885.xxx2	1000
169.6885.xxx1	10

Time-Current Characteristics

% of Rating	Opening Time Min / Max (s)
100	360,000 s / -
135	60 s / 1,800 s
200	2 s / 60 s
350	0.20 s / 7 s
600	0.040 s / 1 s

Ratings

Part Number	Current Rating	Housing Color	Typ. Voltage Drop Littelfuse max.	Cold Resistance	I ² t
169.6885.520_	20 A	Yellow	95 mV	3.80 mΩ	1,900 A ² s
169.6885.525_	25 A*	Grey	100 mV	2.80 mΩ	2,300 A ² s
169.6885.530_	30 A	Green	80 mV	2.10 mΩ	6,000 A ² s
169.6885.535_	35 A*	Dark Green	100 mV	1.70 mΩ	8,400 A ² s
169.6885.540_	40 A	Orange	85 mV	1.60 mΩ	12,000 A ² s
169.6885.550_	50 A	Red	80 mV	1.20 mΩ	26,000 A ² s
169.6885.560_	60 A	Blue	85 mV	0.90 mΩ	45,000 A ² s
169.6885.570_	70 A	Brown	90 mV	0.80 mΩ	70,000 A ² s
169.6885.580_	80 A	White	75 mV	0.72 mΩ	94,000 A ² s
169.6885.610_	100 A*	Purple	95 mV	0.50 mΩ	140,000 A ² s

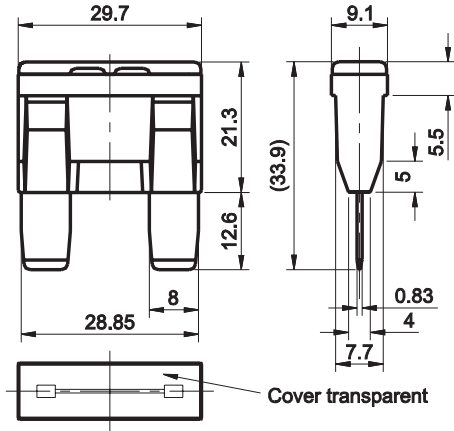
* Not mentioned in the standards
Corresponding holder see Section "Fuse Holders."

FK3 MAXI[®] STYLE BLADE FUSE RATED 32V

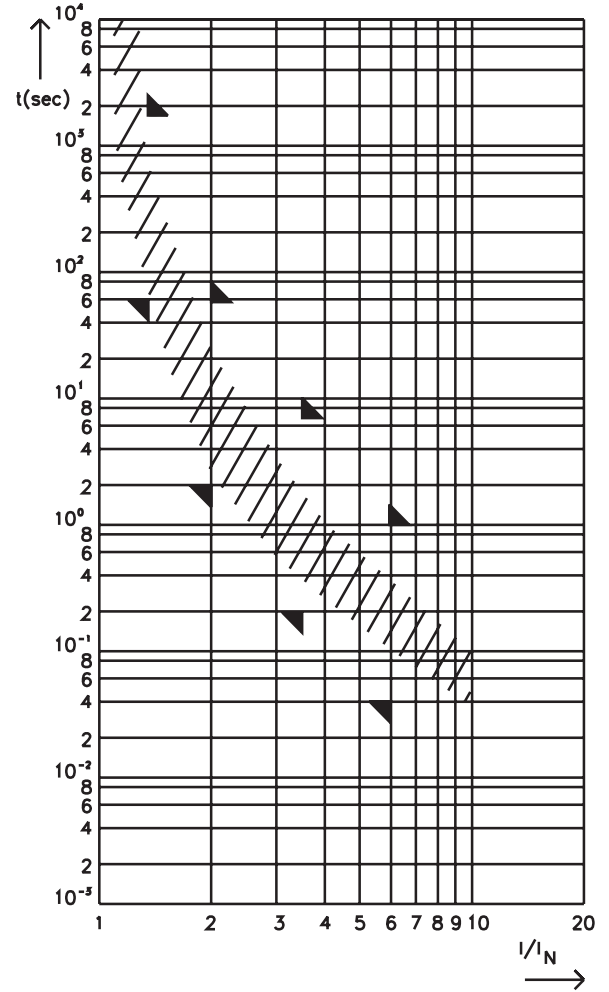


Dimensions

Dimensions in mm



Pre-Arcing Time-Limits



FI = 1.33 (max. operating current: $0.75 \times I_{\text{rat}}$ at 23°C)

Mouser Electronics

Authorized Distributor

Click to View Pricing, Inventory, Delivery & Lifecycle Information:

Littelfuse:

[169.6885.5502](#) [169.6885.6102](#) [169.6885.5402](#) [169.6885.5352](#) [169.6885.5202](#) [169.6885.5802](#) [169.6885.5602](#)
[169.6885.5702](#) [169.6885.5252](#) [169.6885.5302](#) [169.6885.5201](#) [169.6885.5801](#) [169.6885.5601](#) [169.6885.6101](#)
[169.6885.5401](#) [169.6885.5301](#) [169.6885.5501](#) [169.6885.5701](#)