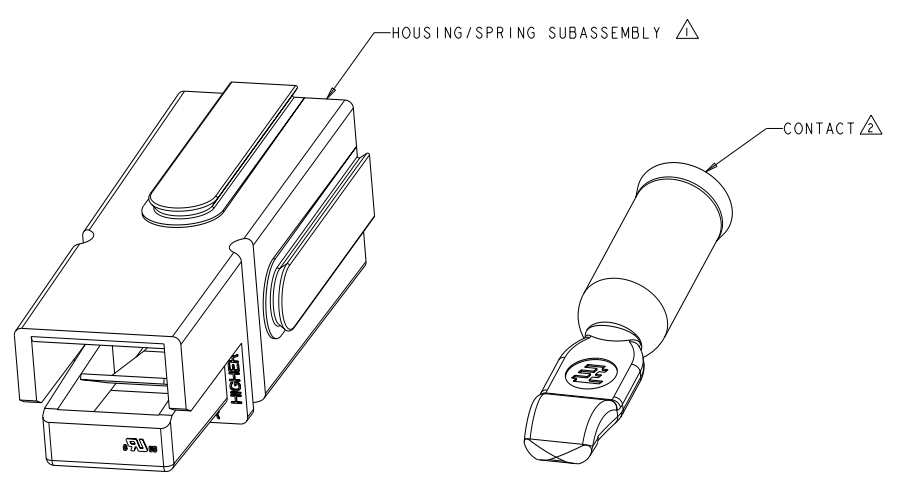


REV	DATE	BY	APP'D
01	200412010	HMR	JR



- △ HOUSING MATERIAL: POLYCARBONATE UL94V0.
 - △ CONTACT MATERIAL: COPPER
PLATING: SILVER
3. THIS PRODUCT HAS PASSED VERIFICATION AND AGENCY APPROVALS TESTING AND IS COMPONENT RECOGNIZED PER UL 1977 AND CSA 22.2. TYCO ELECTRONICS PRODUCT QUALIFICATION TESTING IS NOT YET COMPLETED.

1445995-1	1604001-5 (RED)	1604002-5
1445995-1	1604001-4 (GREEN)	1604002-4
1445995-1	1604001-3 (WHITE)	1604002-3
1445995-1	1604001-2 (BLACK)	1604002-2
1445995-1	1604001-1 (BLUE)	1604002-1
△ CONTACT	△ HOUSING/SPRING SUBASSEMBLY	PART NUMBER



DIMENSIONS: mm TO DIMENSIONS UNLESS OTHERWISE SPECIFIED:		QN 28NOV01 CH 28NOV01 CAR 28NOV01 APP 28NOV01	Tyco Electronics Harrisburg, PA 17105-3608
0 PLC ±0.13 1 PLC ±0.13 2 PLC ±0.13 3 PLC ±0.13 4 PLC ±0.13 ANGLES ±°	PRODUCT SPEC - APPLICATION SPEC - WEIGHT - FINISH -	NAME KIT, AMP POWER SERIES 120, 2 AWG SHEET A2 CASE CODE 00779 DRAWING NO 1604002 RESTRICTED TO -	CUSTOMER DRAWING SCALE 3:1 SHEET 1 OF 1 REV 01