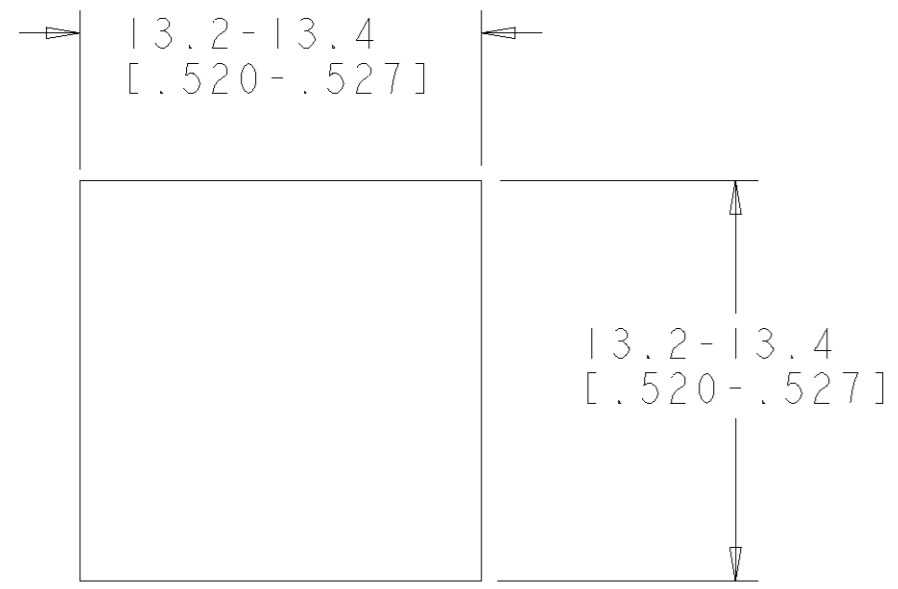
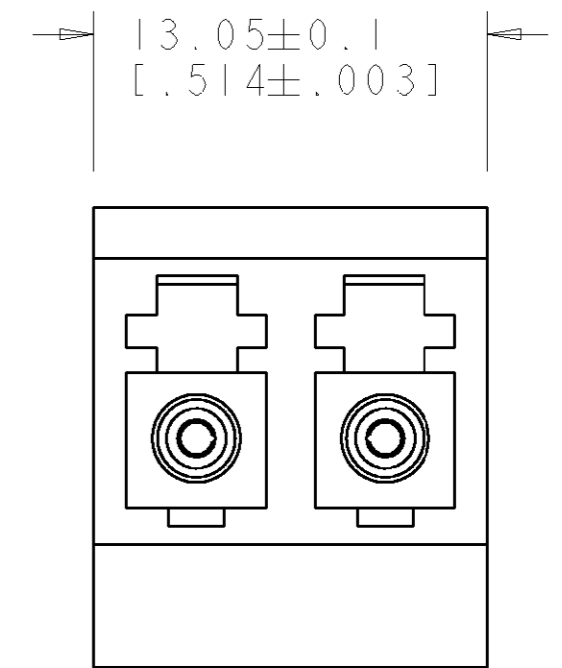
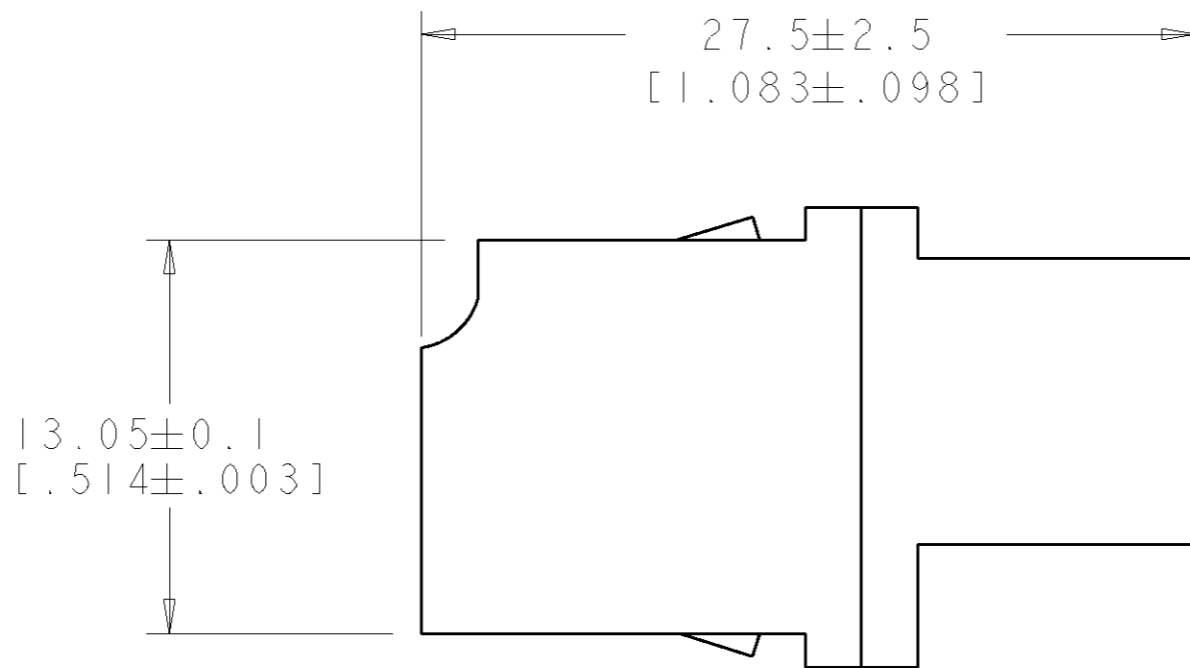
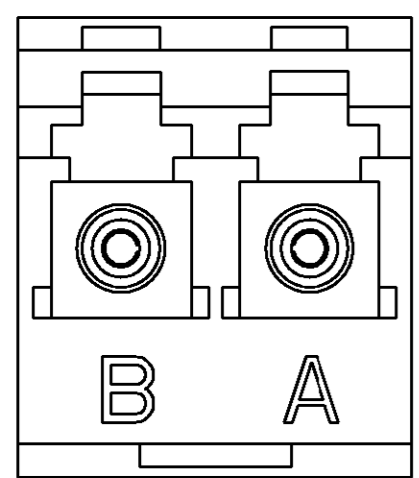
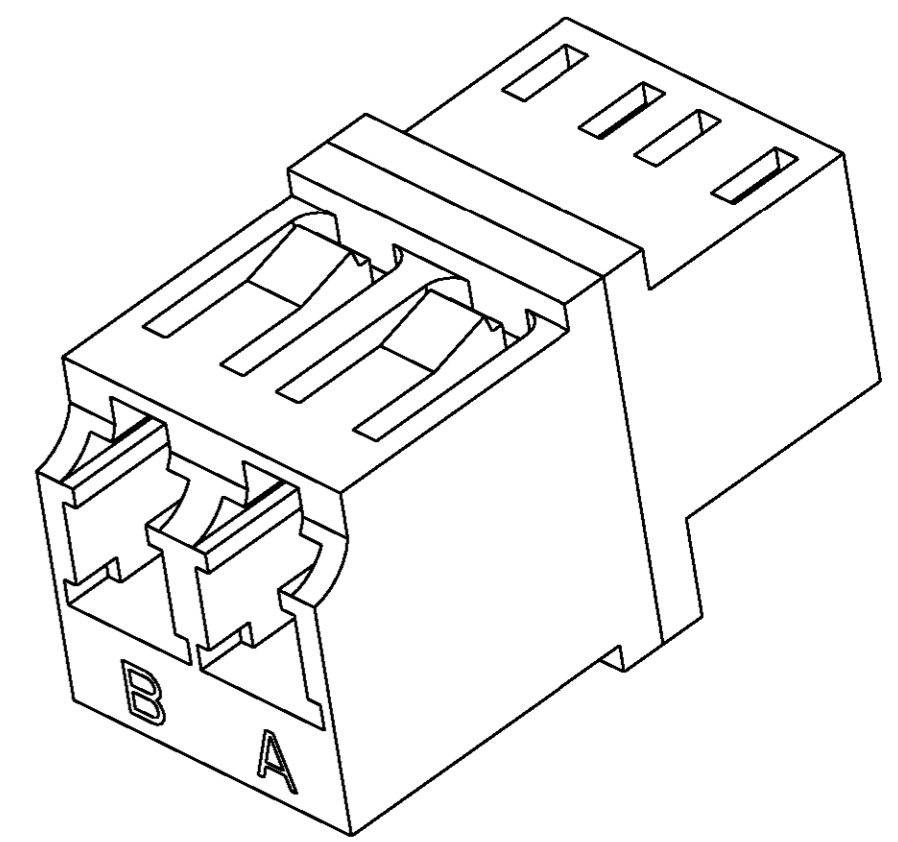


THIS DRAWING IS UNPUBLISHED. RELEASED FOR PUBLICATION .19
 © COPYRIGHT 19 BY AMP INCORPORATED. ALL RIGHTS RESERVED.

LOC	DIST	REVISIONS					
CE	16	P	LTR	DESCRIPTION	DATE	DWN	APVD
		D		REV PER 0A00-0560-03	12NOV2003	EJH	MG
		E		REV PER 0A00-0023-05	14JAN2005	DHR	DHR

⚠ MATERIAL:
 HOUSING: PEI, UL 94 V-0 RATED AT QUALIFYING THICKNESS.
 DUST COVERS: PP, COLOR: WHITE, UL 94 HB RATED AT QUALIFYING THICKNESS.
 ALIGNMENT SLEEVE: SEE TABLE.

2. FOUR DUST COVERS INCLUDED, NOT SHOWN.



RECOMMENDED PANEL CUTOUT
 PANEL THICKNESS: 1.2/1.7 [.047/.067]

GREEN	CERAMIC	1374352-3
BEIGE	CERAMIC	1374352-2
BLUE	CERAMIC	1374352-1
COLOR	SLEEVE MAT'L	PART NUMBER

<small>THIS DRAWING IS A CONTROLLED DOCUMENT FOR AMP INCORPORATED. IT IS SUBJECT TO CHANGE AND THE CONTROLLING ENGINEERING ORGANIZATION SHOULD BE CONTACTED FOR THE LATEST REVISION.</small>		DWN I. ALEXANDER 27 JUN00 CHK S. MILLER 30 JUN00 APVD S. BUCHTER 30 JUN00	AMP AMP Incorporated Harrisburg, PA 17105-3608
DIMENSIONS: mm [INCHES]	TOLERANCES UNLESS OTHERWISE SPECIFIED: 0 PLC ± 1 PLC ±0.1 [.004] 2 PLC ± 3 PLC ± 4 PLC ± ANGLES ± FINISH -	NAME ADAPTER, DUPLEX, LC PRODUCT SPEC - APPLICATION SPEC - WEIGHT -	SIZE A2 CAGE CODE 00779 DRAWING NO. 1374352
MATERIAL -		CUSTOMER DRAWING	
		SCALE 4:1	SHEET 1 OF 1 REV F