

## VS-TO-RO-MCBK-F1420/1420

Order No.: 1404317

Terminal outlet 2xSCRJ




<http://eshop.phoenixcontact.de/phoenix/treeViewClick.do?UID=1404317>

Terminal outlet SCRJ IP65/67, 2 slots version 6, with protective plugs, 2 cable entries

### Ethernet

#### Commercial data

GTIN (EAN)	 4 046356 305419
sales group	D551
Pack	1 pcs.
Customs tariff	85369085
Catalog page information	Page 220 (PC-2009)

#### Product notes

WEEE/RoHS-compliant since:  
07/25/2007



<http://www.download.phoenixcontact.com>  
Please note that the data given here has been taken from the online catalog. For comprehensive information and data, please refer to the user documentation. The General Terms and Conditions of Use apply to Internet downloads.

#### Technical data

##### Mechanical characteristics

Number of positions	2
Number of slots	2
Connection profile	SCRJ according to DIN EN 50377-6-1
Fiber type	GOF, HCS, POF
Ferrule diameter	2.50 mm

Insertion/withdrawal cycles	≥ 500
Color	black
Ambient temperature (operation)	-40 °C ... 70 °C

**Material data**

Housing material	Aluminum cast alloy, powder-coated
Ferrule material	Zirconia ceramics
Degree of protection	IP65/67

**Accessories**

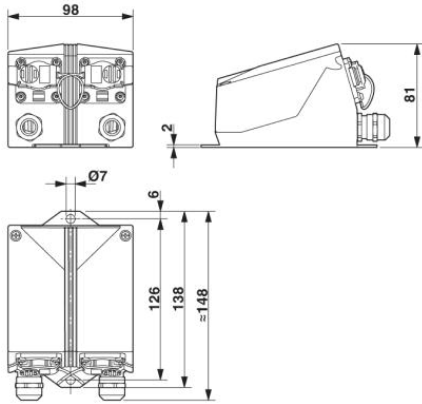
Item	Designation	Description
<b>General</b>		
1657070	VS-SCRJ-GOF-FA-IP20	SCRJ fiber optic connector, IP20, duplex, with fast connection technology, for glass fiber multi-mode 50/125 µm, for individual wire diameter 2.9 mm
1657083	VS-SCRJ-GOF-FA-IP67	SCRJ fiber optic connector, IP67, duplex, with fast connection technology, for glass fiber multi-mode 50/125 µm, for individual wire diameter 2.9 mm, for cable cross section 5.0 mm ... 8.5 mm
1654866	VS-SCRJ-HCS-FA-IP20	SCRJ fiber optic connector, IP20, duplex, with fast connection technology, for HCS fiber 200/230 µm, for individual wire diameter 2.9 mm
1657012	VS-SCRJ-HCS-FA-IP67	SCRJ fiber optic connector, IP67, duplex, with fast connection technology, for HCS fiber 200/230 µm, for individual wire diameter 2.9 mm, for cable cross section 5.0 mm ... 8.5 mm
1654879	VS-SCRJ-POF-FA-IP20	SCRJ fiber optic connector, IP20, duplex, with fast connection technology, for polymer fiber 980/1000 µm, for individual wire diameter 2.2 mm
1657009	VS-SCRJ-POF-FA-IP67	SCRJ fiber optic connector, IP67, duplex, with fast connection technology, for polymer fiber 980/1000 µm, for individual wire diameter 2.2 mm, for cable cross section 5.0 mm ... 8.5 mm

**Tools**

2708876	PSM-HCS-KONFTOOL/SC-RJ	HCS assembly kit for SCRJ quick mounting connectors, including stripping blade, stripping pliers, aramide yarn scissors, fiber stripper, microscope, fiber cleaving tool for standard HCS and HCS GI fibers, and documentation
1658228	VS-GOF-FA-KONFTOOL-EU	Assembly tool set for glass fiber, for the field assembly of SCRJ and SC-duplex connectors, with fast connection technology, with charger for 230 V
1657096	VS-SCRJ-POF-KONFTOOL-CUT	SCRJ cutting tool set, for polymer fiber, for field assembly of SCRJ/IP20 and SCRJ/IP67 Push-Pull connectors with fast connection technology, consisting of stripping tool, aramid scissors, SCRJ cutting tool, microscope, 2x SCRJ connectors IP20

## Diagrams/Drawings

### Dimensioned drawing



Terminal outlet 2xSCRJ

**Address**

PHOENIX CONTACT Inc., USA  
586 Fulling Mill Road  
Middletown, PA 17057, USA  
Phone (800) 888-7388  
Fax (717) 944-1625  
<http://www.phoenixcon.com>



© 2011 Phoenix Contact  
Technical modifications reserved;