
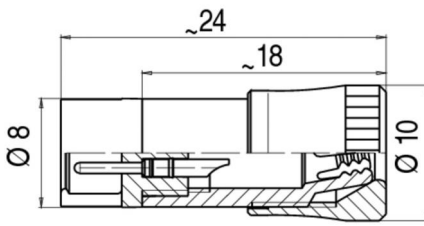
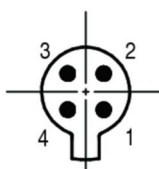


Product **Contacts: 4, cable plug connector with strain relief, max. cable outlet 4 mm**
 Area **Snap-in IP40 Series 719**
 Article number **09 9767 70 04**

Illustration	Scale drawing	Contact Arrangement															
		 <table border="1" data-bbox="1273 593 1484 761"> <thead> <tr> <th></th> <th>X</th> <th>Y</th> </tr> </thead> <tbody> <tr> <td>1</td> <td>1,06</td> <td>-1,06</td> </tr> <tr> <td>2</td> <td>1,06</td> <td>1,06</td> </tr> <tr> <td>3</td> <td>-1,06</td> <td>1,06</td> </tr> <tr> <td>4</td> <td>-1,06</td> <td>-1,06</td> </tr> </tbody> </table>		X	Y	1	1,06	-1,06	2	1,06	1,06	3	-1,06	1,06	4	-1,06	-1,06
	X	Y															
1	1,06	-1,06															
2	1,06	1,06															
3	-1,06	1,06															
4	-1,06	-1,06															

You can find the item description on the next page.

Technical data

General features

Connector Design	Cable Connector
Connector locking system	snap
Termination	solder
Wire gauge (mm)	0,25 mm ²
Wire gauge (AWG)	24
Cable outlet	2,5-4 mm
Upper temperature	70 °C
Lower temperature	-25 °C

Electrical parameters

Rated voltage	60 V
Rated impulse voltage	800 V
Pollution degree	1
Overvoltage category	II
Material group	III
Rated current (40°C)	3 A
Volume resistivity	≤ 3 mΩ
EMV compliance	Shielding is not possible
Degree of protection	IP40
Mechanical operation	> 100 Mating cycles

Material

Material of contact	CuZn (Messing)
Contact plating	Au (gold)
Material of contact body	PA

Product **Contacts: 4, cable plug connector with strain relief, max. cable outlet 4 mm**

Area **Snap-in IP40 Series 719**
Article number **09 9767 70 04**

Item description

