

**General Specifications**

- Motor Protection:**  
Auto Restart/Polarity Protection
- Insulation Resistance:**  
10M Ω or over with a DC500V Megger
- Dielectric Withstand Voltage:** AC 700V 1s
- Allowable Ambient Temperature Range:**  
-10°C ~ +60°C (Operating)  
-40°C ~ +70°C (Storage)  
(non-condensing environment)

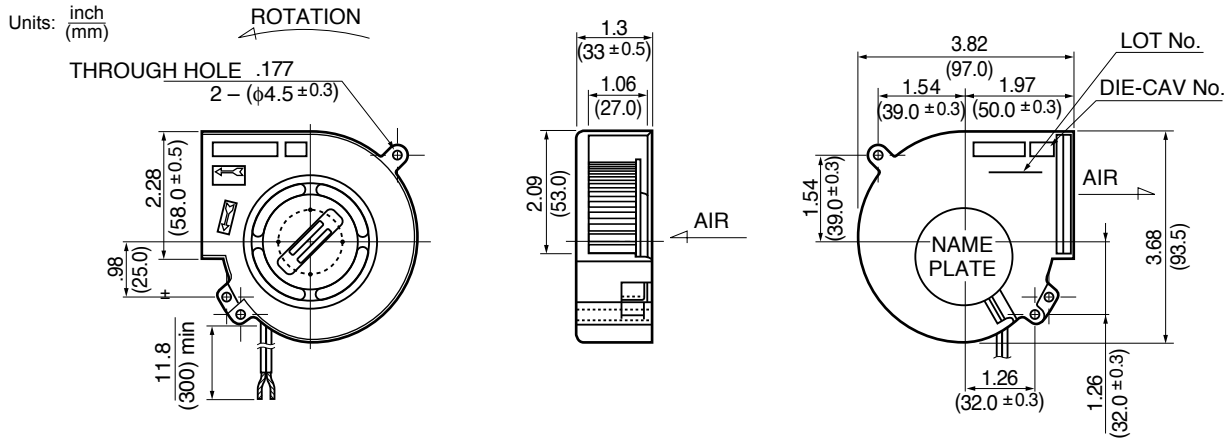
**Expected Life**

**Failure Rate: 10%**  
25°C 100,000 Hours (00)

**Material**

- Casing : Plastic (Black) 94V-0
- Impeller : Plastic (Black) 94V-0
- Bearing : Ball Bearing
- Lead Wire : UL1007, AWG26, +Red, -Black

**Outline**



**Specifications**

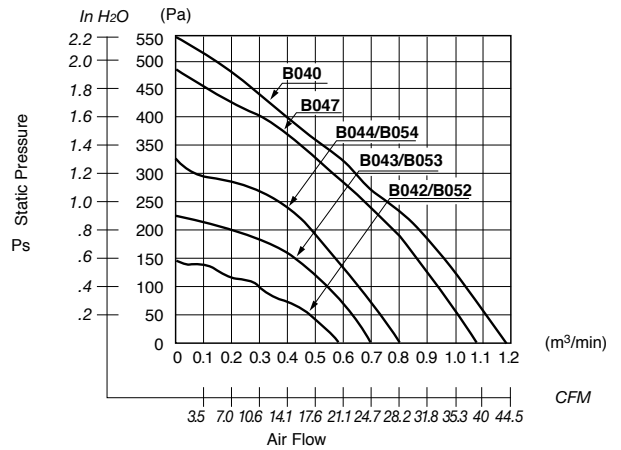
MODEL	Product No.	Rated Voltage	Operating Voltage	Current	Input Power	Speed	Max. Air Flow		Max. Static Pressure		Noise	Mass
		(V)	(V)	(A) <sup>*1</sup>	(W) <sup>*1</sup>	(min <sup>-1</sup> ) <sup>*1</sup>	CFM <sup>*1</sup>	(m <sup>3</sup> /min) <sup>*1</sup>	in H <sub>2</sub> O	(Pa) <sup>*1</sup>	(dB) <sup>*1</sup>	(g)
BG0903-B042-000-	00	12	8 ~ 13.8	0.40	4.80	2700	20.5	0.58	.61	152	47.5	210
BG0903-B043-000-	00	12	8 ~ 13.8	0.64	7.68	3200	24.7	0.70	.90	225	51.5	210
BG0903-B044-000-	00	12	8 ~ 12.6	1.03	12.40	3700	28.6	0.81	1.4	342	54.5	210
BG0903-B052-000-	00	24	10 ~ 27.6	0.21	5.04	2700	20.5	0.58	.61	152	47.5	210
BG0903-B053-000-	00	24	10 ~ 27.6	0.33	7.92	3200	24.7	0.70	.90	225	51.5	210
BG0903-B054-000-	00	24	10 ~ 25.0	0.49	11.80	3700	28.6	0.81	1.4	342	54.5	210
<b>HIGH SPEED</b>												
** BG0903-B040-000-	00	12	10.8 ~ 13.6	2.4	28.90	5700	42.0	1.19	2.2	549	65	210
** BG0903-B047-000-	00	12	10.8 ~ 12.6	1.6	19.20	5200	38.1	1.08	1.9	482	-	210

Rotation: Counterclockwise

\*1: Average Values in Free Air

\*\* Contact NMB for availability

**Characteristic Curves**



# Mouser Electronics

Authorized Distributor

Click to View Pricing, Inventory, Delivery & Lifecycle Information:

## [NMB Technologies:](#)

[09533GA-12M-AA-00](#) [09533GA-24M-AA-00](#) [09533GA-24M-AT-00](#) [09533GA-12Q-AT-00](#) [09533GA-12L-AA-00](#)  
[09533GA-24L-AT-00](#) [09533GA-12L-AL-00](#) [09533GA-24K-AA-00](#) [09533GA-12L-AT-00](#) [09533GA-12K-AT-00](#)  
[09533GA-12M-AL-00](#) [09533GA-12Q-AA-00](#) [09533GA-24L-AL-00](#) [09533GA-24M-AL-00](#) [09533GA-12K-AA-00](#)  
[09533GA-24K-AT-00](#) [09533GA-12Q-AL-00](#) [09533GA-24L-AA-00](#) [09533GA-24K-AL-00](#) [09533GA-12K-AL-00](#)  
[09533GA-12M-AT-00](#)