

## Round Style Analog Panel Meters



- UL Recognized - File # E91015  
Except for the Wattmeters & Frequency Meters
- Glass Window for optimum viewing
- Rugged black plastic case
- Black spade-type pointer for easy distant reading

### Ordering Information

AC Microammeter Rectifier Type Self-Shielding Movement		
Range	Approx. Impedance (Ohms)	Model / Size and Catalog No.
		3 - 1/2" Model 45
0 - 100	3400	04080

AC Milliammeters Iron Vane & Rectified Movement *				
Range	Approx. Impedance (Ohms) @ 60Hz	Model / Size and Catalog No.		
		2 - 1/2" Model 155	3 - 1/2" Model 55	4 - 1/2" Model 45 *
0 - 1	600	< >	< >	06820 *
0 - 5	200	< >	< >	06840 *
0 - 15	887.0	< >	05380	< >
0 - 50	80.0	< >	05400	< >
0 - 100	717.2	< >	05410	< >
0 - 150	8.76	< >	35069	< >
0 - 250	3.1	06080	05420	< >
0 - 500	.9	< >	05430	< >

\* Rectified Models

### Ordering Information


<b>AC Ammeters Iron Vane Movement</b>			
Range	Approx. Impedance (Ohms) @ 60 Hz	Model / Size and Catalog No.	
		2 - 1/2" Model 155	3 - 1/2" Model 55
0 - 1	.213	02100	00950
0 - 1.5	.105	< >	00960
0 - 2	.065	02120	00970
0 - 3	.028	02130	00980
0 - 5	.008	02140	00990
0 - 10	.004	02150	01001
0 - 15	.0025	02160	01010
0 - 25	.002	02170	01020
0 - 30	.0015	02180	01030
0 - 50	.001	02190	01040
0 - 75	.0002	< >	03432
0 - 75	.008	02200 *	< >
0 - 100	.008	02210 *	01060 *
0 - 150	.008	02220 *	01070 *
0 - 200	.008	< >	01080 *
0 - 250	.008	02240 *	01090 *
0 - 300	.008	< >	01100 *
0 - 500	.008	02260 *	01110 *
< > Available on special order			
* These meters require use of an external current transformer			


<b>AC Voltmeters Iron Vane Movement</b>			
Range	Approx. Impedance (Ohms) @ 60 Hz	Model / Size and Catalog No.	
		2 - 1/2" Model 155	3 - 1/2" Model 55
0 - 5	33	< >	08410
0 - 10	133	< >	08420
0 - 15	300	< >	08430
0 - 25	833	< >	08440
0 - 50	3,333	09290	08450
0 - 100	16,166	< >	08460
0 - 150	25,000	09310	08470
0 - 250	41,166	09320	08480
0 - 300	50,000	09330	08490
0 - 500	83,333	09340 *	08500 *
0 - 750	125,000	< >	08510 *
< > Available on special order			
* External multipliers (Model 183) are furnished on AC meters having a range of 500 volts or higher			

### Ordering Information

AC Voltmeter Rectifier Type Self-Shielding Movement		
Range	Approx. Impedance (Ohms) @ 60Hz	Model / Size and Catalog No.
0 - 150	300K	08010

4-20mA Process Meters Dial indicates 0-100 Percent		
Range	Approx. Impedance (Ohms)	Model / Size and Catalog No.
4 - 20	5.0	35022

Wattmeters - Dynamometer Type			Not 
Range	Maximum		Model / Size and Catalog No.
	Volts	Amps	3 - 1/2" Model 75
0 - 300	150	4.0	10600

Frequency Meters Self-Shielding Movement				Not 
Range	Voltage	Model / Size and Catalog No.		
		2 - 1/2" Model 185	3 - 1/2" Model 85	
45 - 55 Hz	120V	35154	35160	
55 - 65 Hz	120V	35156	35162	
380 - 420 Hz	120V	35158	35164	
45 - 55 Hz	240V	35155	35161	
55 - 65 Hz	240V	35157	35163	
380 - 420 Hz	240V	35159	35165	

DC Microammeters Self-Shielding Movement			
Range	Approx. Impedance (Ohms) @ 60Hz	Model / Size and Catalog No.	
		2 - 1/2" Model 125	3 - 1/2" Model 25
0 - 50	1800	04210	03760
0 - 100	1800	04220	03770
0 - 200	1100	04230	03780
0 - 500	90	04240	03790
50-0-50	1800	04194	03810
100-0-100	1100	04196	03820
500-0-500	43	< >	03830
< > Available on special order			

### Ordering Information

<b>DC Taut-Band Microammeters Self-Shielding Movement</b>			
Range	Approx. Impedance (Ohms) @ 60Hz	Model / Size and Catalog No.	
		2 - 1/2" Model 125T	3 - 1/2" Model 25T
0 - 10	4900	04197	< >
0 - 15	1960	< >	03741
0 - 25	1960	04201	03751
0 - 50	960	< >	03761
0 - 100	500	< >	03771
< > Available on special order			

<b>DC Milliammeters Self-Shielding Movement</b>			
Range	Approx. Impedance (Ohms) @ 60Hz	Model / Size and Catalog No.	
		2 - 1/2" Model 125	3 - 1/2" Model 25
0 - 1	43.0	05580	04610
0 - 1.5	43.0	< >	04620
0 - 5	2.0	05610	04640
0 - 10	10.0	05620	04650
0 - 15	6.6	05630	04660
0 - 25	4.0	05650	04680
0 - 50	2.0	< >	04690
0 - 75	1.3	05670	< >
0 - 100	1.0	05680	04710
0 - 150	.66	05690	04720
0 - 200	.5	05700	04730
0 - 250	.5	05710	< >
0 - 300	.33	< >	04750
0 - 500	.2	05730	04760
0 - 1000	.05	< >	04780
< > Available on special order			

### Ordering Information

<b>DC Ammeters Self-Shielding Movement</b>			
Range	Approx. Impedance (Ohms) @ 60Hz	Model / Size and Catalog No.	
		2 - 1/2" Model 125	3 - 1/2" Model 25
0 - 1	.050	01460	00005
0 - 2	.025	< >	00030
0 - 3	.0166	01490	00040
0 - 5	.010	01500	00050
0 - 10	.005	01510	00060
0 - 15	.0033	01520	00070
0 - 25	.002	01530	00080
0 - 30	.0017	01540	00090
0 - 50	.001	01550	00099
0 - 75	10.0	01560 *	00110 *
0 - 100	10.0	01570 *	00120 *
0 - 150	10.0	01580 *	00130 *
0 - 200	10.0	01590 *	00140 *
0 - 250	10.0	< >	00151 *
0 - 300	10.0	01610 *	00160 *
0 - 500	10.0	01620	00170 *
0 - 750	10.0	< >	00177 *
0 - 1000	10.0	< >	00188 *
15-0-15	.0033	< >	00200
30-0-30	.0017	01660	00210
50-0-50	.001	01670	00220
75-0-75	20.0	35066	35037 *
* DC current meters are self-contained for ranges up to and including 50 amperes			
Higher range DC current meters (50 mV) listed above are calibrated for 5' leads and require external shunts			
< > Available on special order			

### Ordering Information

DC Millivoltmeters Self-Shielding Movement			
Range	Approx. Impedance (Ohms) @ 60Hz	Model / Size and Catalog No.	
		2 - 1/2" Model 125	3 - 1/2" Model 25
0 - 50	10.0	06970	06910
0 - 100	20.0	< >	35093
< > Available on special order			

DC Voltmeters Self-Shielding Movement			
Range	Approx. Impedance (Ohms) @ 60Hz	Model / Size and Catalog No.	
		2 - 1/2" Model 125	3 - 1/2" Model 25
0 - 1.5	1000 Ohms Per Volt	08850	< >
0 - 3		< >	07070
0 - 5		08870	07080
0 - 10		08890	07100
0 - 15		08900	07110
0 - 25		08910	07120
0 - 30		08920	07130
0 - 50		08930	07140
0 - 100		08940	07150
0 - 150		08950	07160
0 - 200		08960	07170
0 - 250		08970	07180
0 - 300	2000 Ohms Per Volt	< >	07190
0 - 500		< >	07200
0 - 750		< >	07210
0 - 1000		< >	07220 *
0 - 2000		< >	07240 *
0 - 3000		< >	07260 *
0 - 5000		< >	07280 *
*External multipliers, Model 183, are furnished on 3-1/2" DC meters 1000 volts or higher			
< > Available on special order			

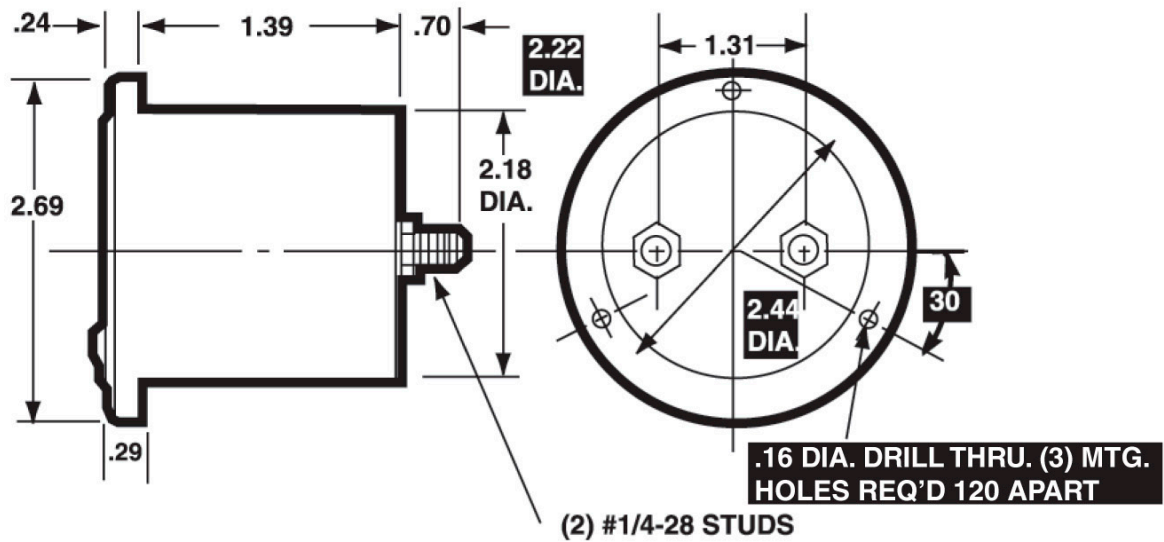
## Round Style Analog Panel Meters

<b>Specifications</b>	
<b>Accuracy</b>	± 2% F.S. (Iron-Vane), ± 3 F.S. (Rectifier)
<b>Frequency models</b>	45-55Hz ±0.3Hz (120V-240V) 55-65Hz ±0.3Hz (120V-240V) 380-420Hz ±1.2Hz (120V-240V)
<b>Wattmeters</b>	+2% F.S.; Compensated Meters: +3% F.S.
<b>Movement</b>	Models 55, 155: Iron-vane, magnetically damped Models 45, 145: Annular, rectifier type Models 85 & 185: small core magnet, self-shielding Models 25, 27, 29, 125: Annular, self-shielding
<b>Tracking</b>	± 3%
<b>Shielding</b>	Calibration is unaffected by magnetic field or panel mounting
<b>Response Time</b>	1.5 seconds maximum
<b>Overload (1 sec.)</b>	10 times F.S.
<b>Overload (Continuous)</b>	1.5 times F.S.
<b>Repeatability</b>	2%
<b>Dial</b>	Sharp clear scale. Each dial arc is calibrated to track the specific type of movement used
<b>Case</b>	High density black plastic
<b>Resistance</b>	± 15%
<b>Operating Temperature</b>	- 4°F to + 149°F (- 20°C to + 65°C)
<b>Pointer</b>	Models 85 & 185: Knife edge, black finish All others: Spade pointer with black matte finish
<b>Scale Length</b>	Model 155 & 185: 1.6" (40.6mm) Models 125 & 145: 1.8" (45.7mm) Model 55: 2.3" (58.4mm) Models 25, 27, 45 & 85: 2.5" (63.5mm) Model 29: 3.80" (96.5mm)
<b>Net Weight</b>	Models 55, 155 & 185: 5oz (0.14kg) Models 85, 125, 145 & 45: 7oz (0.20kg) Models 25 & 27: 8oz (.23kg) Model 29: 11oz. (.31kg)

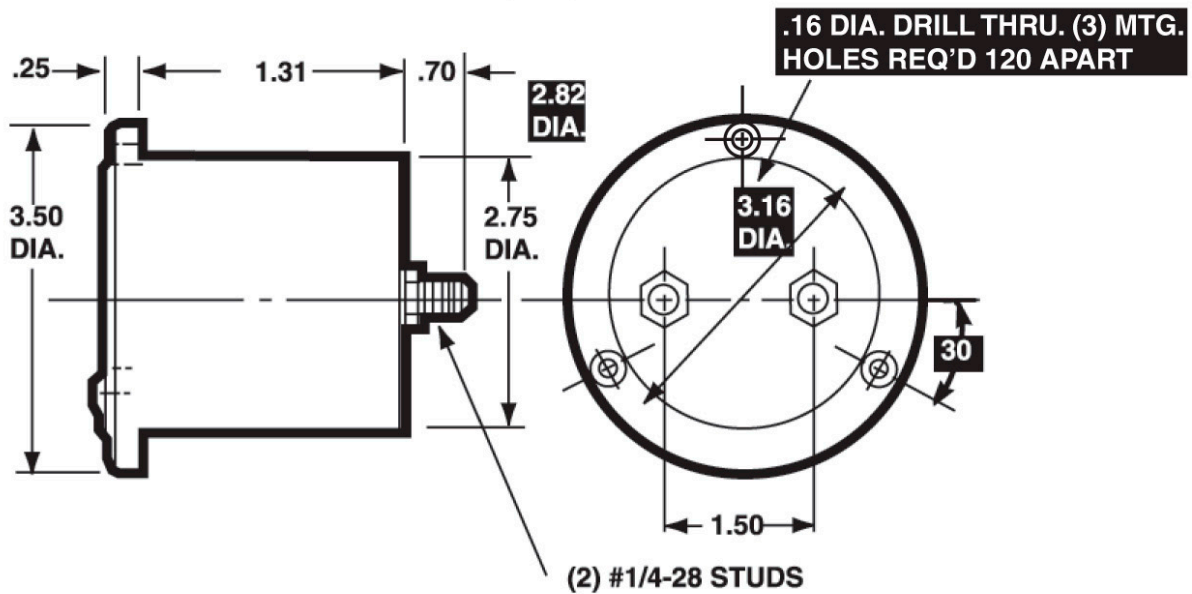
**Round Style  
 Analog Panel Meters**

**Dimensions**

**2 - 1/2" Models 125, 125T, 145, 155 & 185**



**3 - 1/2" Models 25, 25T, 55, 85 & Model 45 Process Meter**

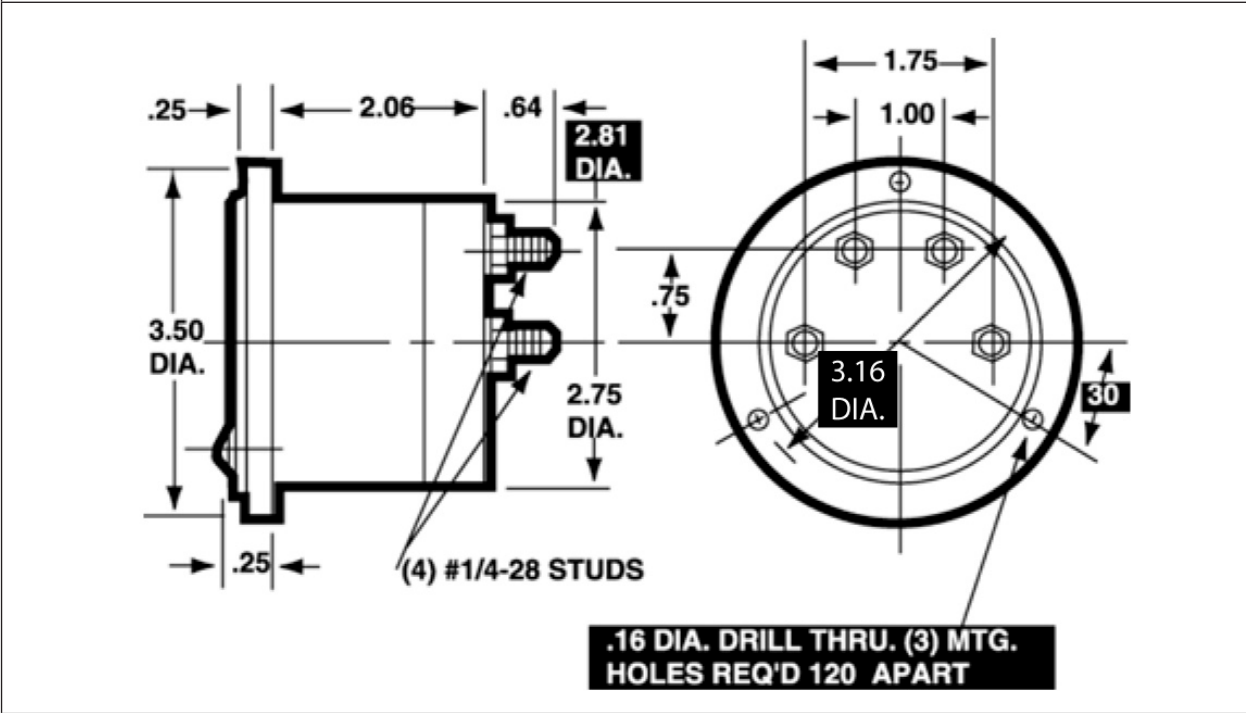


NOTE: "T" model suffix used for Taut-Band Movement



**Dimensions**

**3 - 1/2" Model 75 Wattmeter**



# Mouser Electronics

Authorized Distributor

Click to View Pricing, Inventory, Delivery & Lifecycle Information:

## Simpson:

[08420](#) [08480](#) [08460](#) [08500](#) [00177](#) [00130](#) [00110](#) [00151](#) [00120](#) [00170](#) [00140](#) [00188](#) [00160](#) [02150](#) [02190](#)  
[35164](#) [35162](#) [35157](#) [35156](#) [35165](#) [35158](#) [35160](#) [35163](#) [35155](#) [35161](#) [35159](#) [35154](#) [01610](#) [01670](#) [01620](#)  
[01660](#) [00050](#) [00005](#) [00030](#) [00080](#) [00070](#) [00060](#) [00040](#) [00099](#) [00090](#) [03432](#) [10600](#) [08910](#) [08950](#) [08970](#)  
[08930](#) [07140](#) [07100](#) [07160](#) [07120](#) [07180](#) [02200](#) [02240](#) [02220](#) [02260](#) [05430](#) [05410](#) [05400](#) [07070](#) [07080](#)  
[05420](#) [03810](#) [03830](#) [03820](#) [03751](#) [03790](#) [04620](#) [04660](#) [09310](#) [05670](#) [05630](#) [05690](#) [05680](#) [05610](#) [05650](#)  
[05620](#) [01110](#) [01100](#) [04080](#) [01500](#) [35022](#) [35066](#) [35069](#) [35093](#) [35037](#) [01520](#) [01550](#) [01510](#) [01590](#) [01560](#)  
[01540](#) [01570](#) [01530](#) [01580](#) [08410](#) [08450](#) [08490](#) [08430](#) [06080](#) [08440](#)