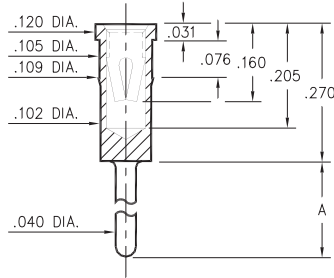


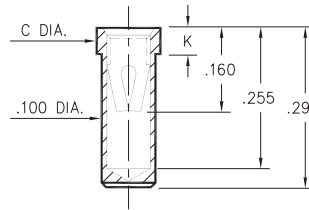
0433/8433



Basic Part Number	Length A
0433-0	.120
8433-0	.330

X433-0-15-XX-03-XX-04-0
Press-fit in .106 mounting hole

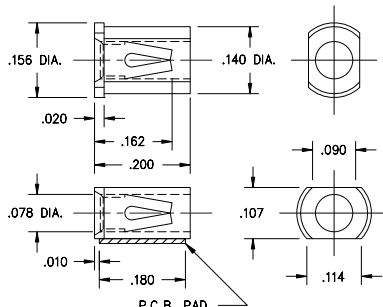
0435/0436



Basic Part Number	Dia. C	Length K
0435-0	.118	.050
0436-0	.125	.070

0435-0-15-XX-03-XX-10-0
Solder mount in .102 min. mounting hole
Also available on 24mm wide carrier tape: 950 parts per 13" reel.
Order as: 0435-0-57-XX-03-XX-10-0

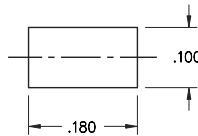
4064



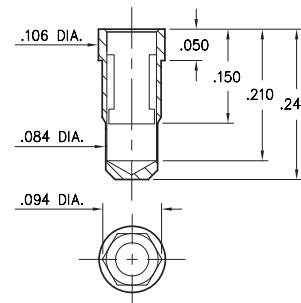
4064-0-18-XX-03-XX-40-0
Surface mount
Also available on 16mm wide carrier tape: 2,400 parts per 13" reel.
Order as: 4064-0-58-XX-03-XX-40-0



P.C.B. Layout



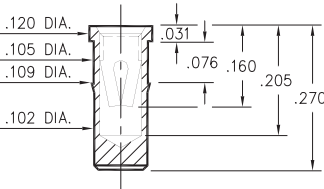
0342



- 0342 receptacle uses Mill-Max's new #42 Contact. This receptacle will accept the $\varnothing.061 \pm .002$ power pins of 1/4 brick DC/DC converters.
- #42 contact can be ordered in standard receptacles that use #03 contact; or it can be specified as the spring element inside custom made receptacles.

0342-0-15-XX-42-XX-10-0
Hex press-fit in $.090 \pm .002$ plated thru hole

0434



0434-0-15-XX-03-XX-10-0
Press-fit in .106 mounting hole

Mechanical Data #42 Contact:

Insertion/Extraction Force with a $\varnothing.061$ (nominal) pin:

First Cycle		2nd & Subsequent Cycles	
Insertion Force	Extraction Force	Insertion Force	Extraction Force
20N	6N	10N	6N

Compliance Test (the "spring back" characteristic of the contact to accept $\varnothing.059$ small pin after insertion of a $\varnothing.063$ large pin) :

Initial Cycle with $\varnothing.059$ pin		Second Cycle with $\varnothing.063$ pin		Third Cycle with $\varnothing.059$ pin	
Ins. Force	Ext. Force	Ins. Force	Ext. Force	Ins. Force	Ext. Force
18N	6N	22N	7N	3N	2N

(Insertion/Extraction Forces are in Newtons and measured with polished steel gage pins having elliptical shaped tips).

SPECIFICATIONS

SHELL MATERIAL:
Brass Alloy 360, 1/2 Hard

CONTACT MATERIAL:
Beryllium Copper Alloy 172, HT

DIMENSION IN INCHES
TOLERANCES ON:
LENGTHS: $\pm .005$
DIAMETERS: $\pm .002$
ANGLES: $\pm 2^\circ$

ORDER CODE: XXXX - X - 1X - XX - XX - XX - XX - 0

BASIC PART #

SPECIFY SHELL FINISH:
01 200 μ " TIN/LEAD OVER NICKEL
◇ 80 200 μ " TIN OVER NICKEL (RoHS)
◇ 15 10 μ " GOLD OVER NICKEL (RoHS)

SPECIFY CONTACT FINISH:
01 200 μ " TIN/LEAD OVER NICKEL
◇ 80 200 μ " TIN OVER NICKEL (RoHS)
◇ 27 30 μ " GOLD OVER NICKEL (RoHS)



SELECT CONTACT

#03 or #42 CONTACT (DATA ON PAGE 225)

Mouser Electronics

Authorized Distributor

Click to View Pricing, Inventory, Delivery & Lifecycle Information:

Mill-Max:

[0435-0-15-80-03-80-10-0](#) [0435-0-15-01-03-01-10-0](#)