

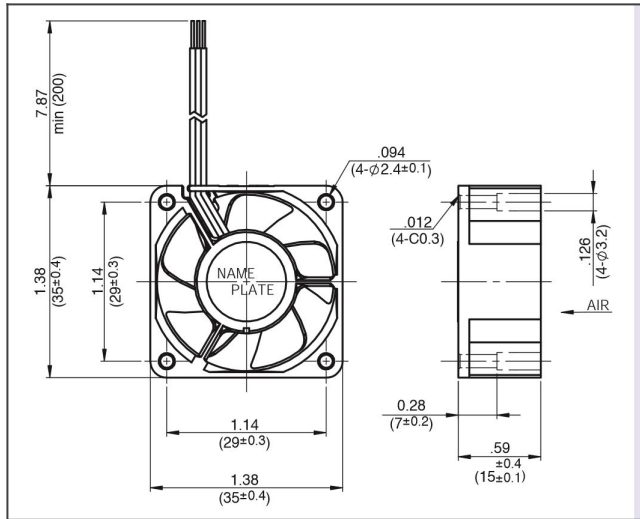
General Specifications

Motor Protection: Auto Restart/Polarity Protection
 Insulation Resistance: 10M Ohm or over with a DC500V Megger
 Dielectric Withstand Voltage: AC 700V 1st
 Allowable Ambient Temperature Range:
 -10 degree C ~ +70 degree C (Operating)
 -40 degree C ~ +70 degree C (Storage)
 (non-condensing environment)

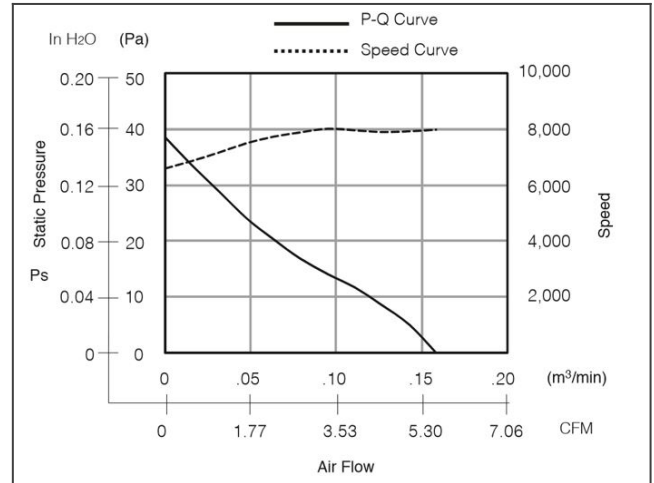
Material

Casing: Plastic (Black) UL94V-0
 Impeller: Plastic (Black) UL94V-0
 Bearing: Sleeve Bearing
 Lead Wire: UL1061, AWG26, +Red, -Black

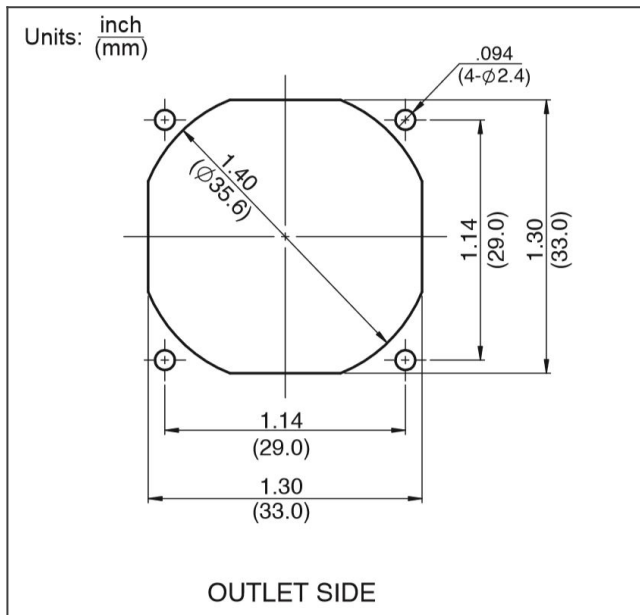
03515SS product drawing



03515SS characteristics curve



03515SS panel cut outs



Detailed Specifications

Expected Life:	40 degree C 30,000 Hours (L10)
DC Fan:	Sleeve Bearing Fan
Nominal Voltage:	12[V]
Operating Voltage Lower:	6[V]
Operating Voltage Upper:	13.2[V]
Current:	0.07[A]
Input Power:	0.84[W]
Speed:	8000[min^{-1}]
Max. Air Flow:	0.16[m^3/min]
Max. Air Flow:	5.7[CFM]
Max. Static Pressure:	35[Pa]
Max. Static Pressure:	0.14[In H ₂ O]
Noise:	24[dB]
Mass:	12.5[g]
Fan Size:	35[mm]
Fan Width:	15[mm]

DC Fans