

LOW PROFILE JCASE® FUSES RATED 58V

RoHS



Specifications

Voltage Rating:	58 VDC
Interrupting Rating:	1000A @ 58 VDC
Operating Temperature Range:	-40°C to + 125°C
Insertion Force:	53N Max. (12 lb.)
Extraction Force:	9N Min (2 lb.)

Ordering Information

Part Number	Package Size
0895xxx.Z	2000
0895xxx.U	500
0895xxx.T	10

Description

The Low Profile JCASE® fuse has similar performance characteristics as the standard JCASE® fuse. The lower overall height reduction allows for more space and weight savings and also allows for a shorter male blade terminal, saving additional weight and material savings in fuse box designs.

Time-Current Characteristics

% of Rating	Opening Time Min / Max (s)
100	360,000 s / –
135	60 s / 1800 s
200	4 s / 60 s
350	0.200 s / 7 s
600	0.040 s / 1 s

Ratings

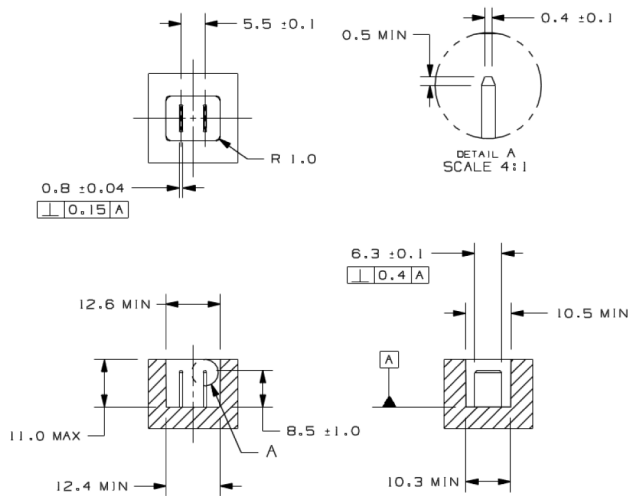
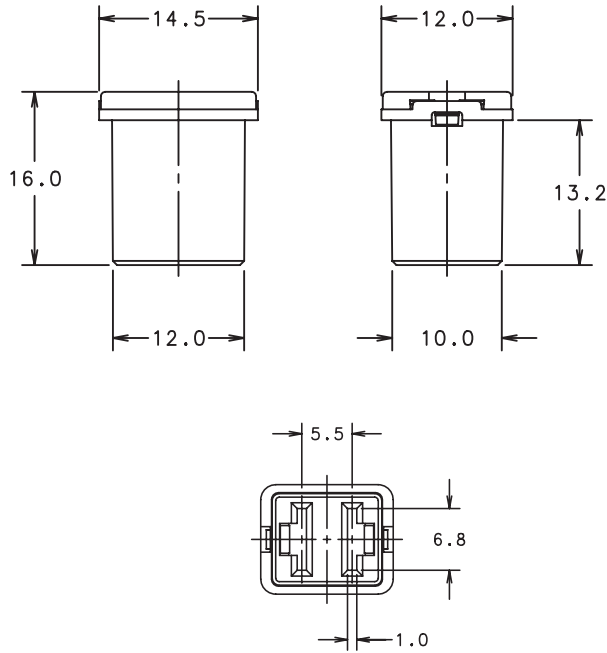
Part Number	Current Rating	Housing Material Color	Cold Resistance	I²t
0895020_	20 A		4.48 mΩ	400 A²s
0895025_	25 A		3.39 mΩ	680 A²s
0895030_	30 A		2.68 mΩ	1780 A²s
0895040_	40 A		1.89 mΩ	5470 A²s
0895050_	50 A		1.08 mΩ	4880 A²s
0895060_	60 A		0.83 mΩ	9600 A²s

Corresponding holder see Section “Fuse Holders.”

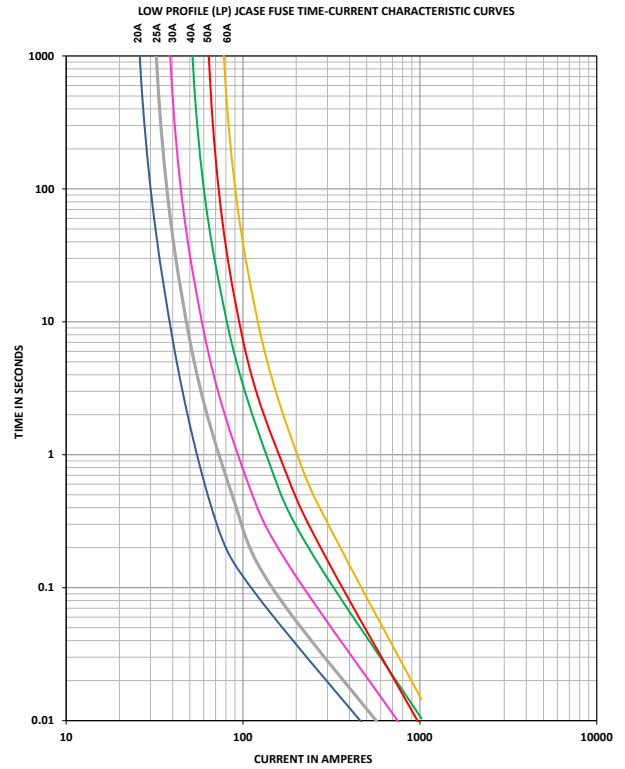
LOW PROFILE JCASE® FUSES RATED 58V

Dimensions

Dimensions in mm



Time-Current Characteristics Curve



Temperature Derating Curve

