

## INTRODUCTIONS

1. Specially designed with ground choke providing most effective EMI suppression for high frequency noise (ranged 5MHz-25MHz).
2. Bleeder resistor can be added with suffix "-R" on part numbers.
3. With optional Y capacitor 100pF to 330pF.
4. All part numbers are UL recognized, CSA certified and VDE approved.

## COMPONENTS

PART NO.	L (mH)	Cx (uF)	Cy (pF)	Lg (uH)
03KEEG3EA/03KEEW3EA	3.1	0.1	2200	100
*08KEEG3EA/08KEEW3EA	0.8			
**10KEEG3EA/10KEEW3EA	0.4			
03KEEG3SA/03KEEW3SA	3.1	0.1	2200	100
06KEEG3SA/06KEEW3SA	0.8			
10KEEG3SA/10KEEW3SA	0.4			

\*VDE approved to 6A 250V.

\*\*UL, CSA & VDE approved to 9A 115/250VAC.

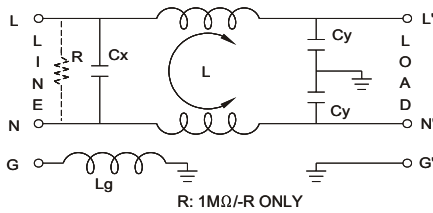
## MINIMUM INSERTION LOSS IN dB

PART NO.	COMMON MODE (L-G) IN 50 OHM SYSTEM					
	FREQUENCY-MHZ					
	.15	.50	1.0	5.0	10	30
03KEEG3EA/03KEEW3EA	15	20	25	40	40	45
08KEEG3EA/08KEEW3EA	10	15	20	35	40	50
10KEEG3EA/10KEEW3EA	7	12	18	30	30	50
03KEEG3SA/03KEEW3SA	15	20	25	40	40	40
06KEEG3SA/06KEEW3SA	7	15	20	35	40	40
10KEEG3SA/10KEEW3SA	4	12	18	30	30	45

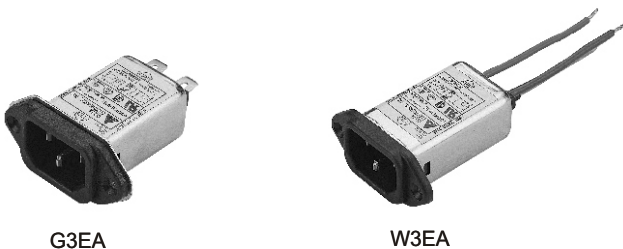
  

PART NO.	DIFFERENTIAL MODE (L-L) IN 50 OHM SYSTEM					
	FREQUENCY-MHZ					
	.15	.50	1.0	5.0	10	30
03KEEG3EA/03KEEW3EA	5	12	15	40	50	45
08KEEG3EA/08KEEW3EA	5	10	15	45	40	50
10KEEG3EA/10KEEW3EA	4	12	18	30	30	50
03KEEG3SA/03KEEW3SA	10	20	35	40	45	40
06KEEG3SA/06KEEW3SA	10	25	40	35	40	40
10KEEG3SA/10KEEW3SA	10	25	35	30	30	45

## ELECTRICAL SCHEMATIC



## MECHANICAL CONSTRUCTION

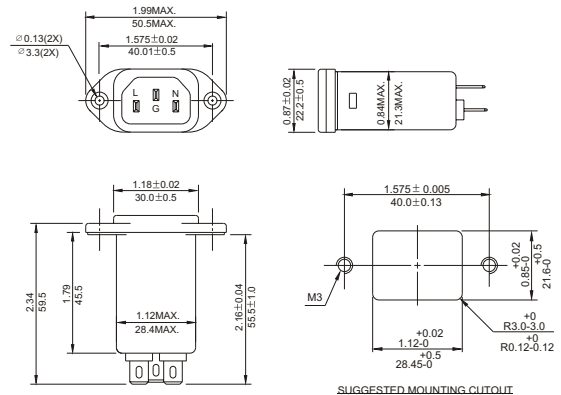
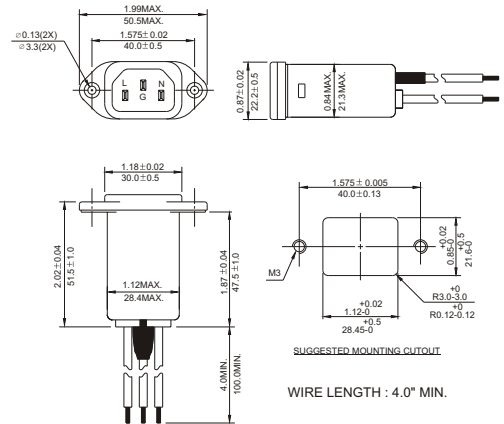
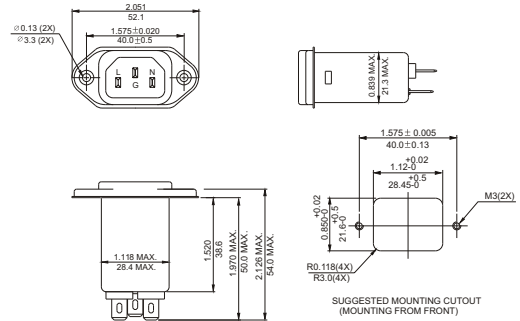


G3EA

W3EA

## SPECIFICATIONS

1. Maximum leakage current each line-to-ground @ 115VAC 60Hz: 0.20mA  
@ 250VAC 50Hz: 0.40mA
2. Hipot rating (one minute) line-to-ground: 2250VDC  
line-to-line: 1450VDC
3. Operating frequency: 50/60Hz
4. Rated voltage: 115/250VAC



# Mouser Electronics

Authorized Distributor

Click to View Pricing, Inventory, Delivery & Lifecycle Information:

## Delta Electronics:

[10KEEG3EA-R](#) [10KEEW3SA](#) [03KEEW3SA](#) [08KEEG3DA-R](#) [06KEEG3SA](#) [10KEEW3DA-R](#) [10KEEG3DA-R](#)  
[06KEEW3SA](#) [10KEEG3EA](#) [08KEEW3DA](#) [08KEEG3DA](#) [08KEEW3EA](#) [10KEEG3DA](#) [03KEEG3DA-R](#) [03KEEG3DA](#)  
[03KEEW3EA-R](#) [08KEEG3EA-R](#) [10KEEW3EA-R](#) [10KEEW3EA](#) [03KEEW3DA-R](#) [03KEEG3EA](#) [08KEEG3EA](#)  
[03KEEG3SA](#) [10KEEW3DA](#) [10KEEG3SA](#) [03KEEW3EA](#) [08KEEW3DA-R](#) [03KEEW3DA](#) [03KEEG3EA-R](#)  
[08KEEW3EA-R](#)