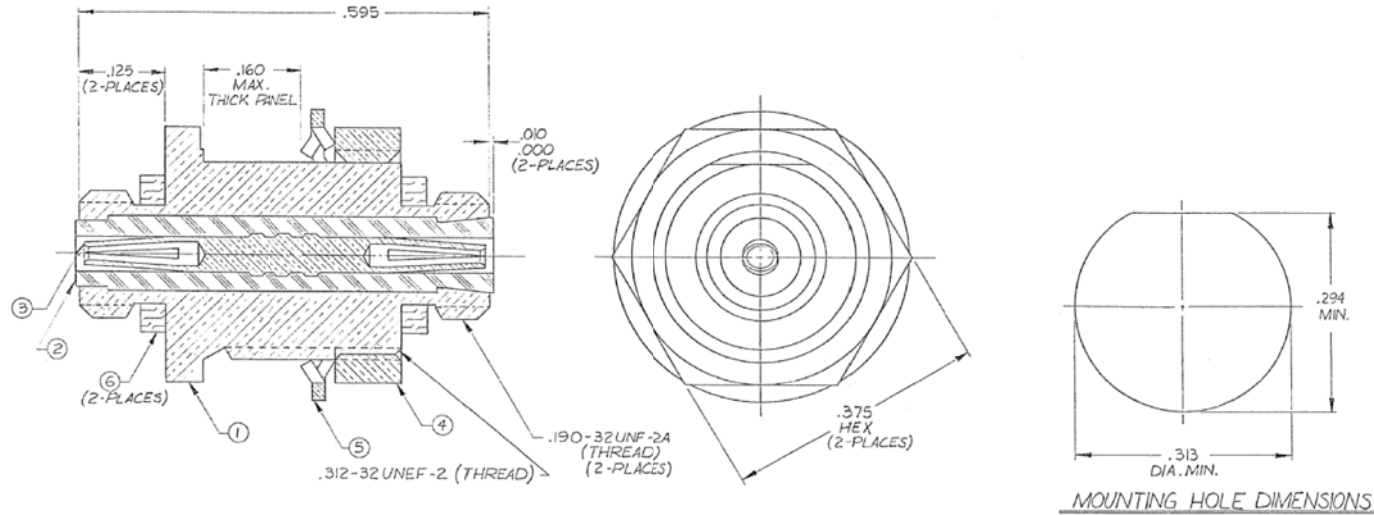


THIS DRAWING IS UNPUBLISHED. RELEASED FOR PUBLICATION
 © COPYRIGHT BY TYCO ELECTRONICS CORPORATION. ALL RIGHTS RESERVED.

LOC	DIST	REVISIONS					
		P	LTR	DESCRIPTION	DATE	OWN	APPD
		R1		DRAWING MAINTENANCE	12-16-05	JDM	MKS

ZONE	LTR	ECN	DESCRIPTION	DATE	APPROVED
N	26025		REV. & REDRAWN. ORIGINAL RELEASE 1-28-56 BY J.B.D. & S.P.R.	8-21 81	<i>[Signature]</i>
P	28326		ITEM 5 MATL WAS: PHOSPHOR BRONZE QQ-B-750	11-15-56	<i>[Signature]</i>
R	40169		GASKET WAS: 003-0211-0001	1/1/57	<i>[Signature]</i>
R1			SEE TYCO TITLE BLOCK		



NOTES: UNLESS OTHERWISE SPECIFIED
 1. THIS CONNECTOR MATES WITH ALL SCREW-ON PLUGS
 IN S-50 SERIES AS LISTED IN MALCO CATALOG.
 ⚠ SILVER PLATE .0002 MIN PER QQ-S-365, TYPE II, GRADE A.
 ⚠ GOLD PLATE PER MIL-6-45204, TYPE II, GRADE C, CLASS I.

QTY REQD	FINISH	PART OR IDENTIFYING NO.	DESCRIPTION	MATERIAL & SPECIFICATION	ITEM
2		003-0268-0000	GASKET	SILICONE PER ZZ-R-765	6
1		003-0258-0001	LOCKWASHER	# 425 BRONZE ALLOY	5
1		003-0209-0001	NUT, HEX	BRASS PER QQ-B-626	4
1		000-0201-0050	CONTACT, SOCKET	BERYLLIUM COPPER PER QQ-C-530	3
1		003-0222-0001	INSULATOR	TEFLON PER L-P-403	2
1		003-0221-0001	HOUSING	BRASS PER QQ-B-626	1

UNLESS OTHERWISE SPECIFIED DIMENSIONS ARE IN INCHES. TOLERANCES ARE: FRACTIONS XX = ANGLES DECIMALS .XX = .010 XXX = .010		CONTRACT NO.		MALCO A MICRODOT COMPANY, INC. 300 PASADENA AVE., 50, PASADENA, CALIF. 91303	
MATERIAL NOTED		APPROVALS DRAWN: <i>[Signature]</i> 9-12-81 CHECKED: <i>[Signature]</i> 8-20-81 PR. ENG: <i>[Signature]</i> 8-21-81 APPRD: <i>[Signature]</i>		ADAPTER - BULKHEAD FEED-THRU	
FINISH NOTED		SIZE C		CODE IDENT NO. 98278	DRAWING NO. 033-0053-0001
NEXT ASSY		APPLICATION DO NOT SCALE DRAWING		SCALE 1 X 1	SHEET 1 OF 1

THIS DRAWING IS A CONTROLLED DOCUMENT.		OWN D. MORALES 12-16-05	Tyco Electronics Corporation Harrisburg, PA 17105-3608	
DIMENSIONS: INCHES		CHK M. STORRY 12-16-05	NAME M. STORRY	
TOLERANCES UNLESS OTHERWISE SPECIFIED: 0 PLC ± - 1 PLC ± - 2 PLC ± - 3 PLC ± .010 4 PLC ± - ANGLES ± -		PROD CODE 931	PRODUCT SPEC ADAPTER-BULKHEAD, FEED-THRU MICRODOT P/N 033-0053-0001 TYCO P/N 1466295-1	
MATERIAL -		FINISH -	WEIGHT -	RESTRICTED TO -
CUSTOMER DRAWING		SIZE A2	CAGE CODE 98278	DRAWING NO. 1466295
SCALE NONE		SHEET 1 of 1	REV R1	

Mouser Electronics

Authorized Distributor

Click to View Pricing, Inventory, Delivery & Lifecycle Information:

[TE Connectivity:](#)

[033-0053-0001](#)