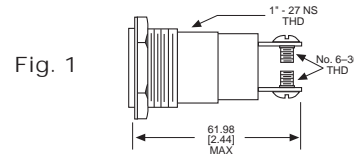




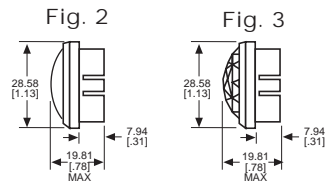
# 031 SERIES FOR 1" MOUNTING HOLE • FRICTION-FIT-CAP

BASE PART NO.	VOLTAGE	FIG
031-3101-01-101	6-250	1



Uses:  
S-6  
CANDELABRA  
SCREW BASE  
INCANDESCENT  
LAMP

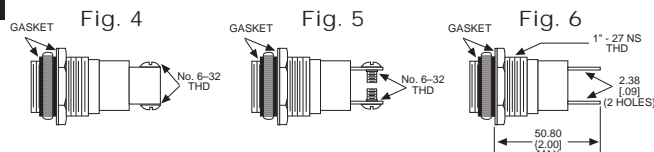
CAP PART NO.	COLOR	FIG	CAP PART NO.	COLOR	FIG
031-0111-300	RED	2	031-0431-300	RED	3
031-0112-300	GREEN	2	031-0432-300	GREEN	3
031-0113-300	AMBER	2	031-0433-300	AMBER	3
031-0135-300	WHITE	2	031-0435-300	WHITE	3
031-0137-300	CLEAR	2	031-0437-300	CLEAR	3



Material & Finish: Base - Nickel Plated Brass, Cap - Polycarbonate with Chrome Plated Brass Bezel

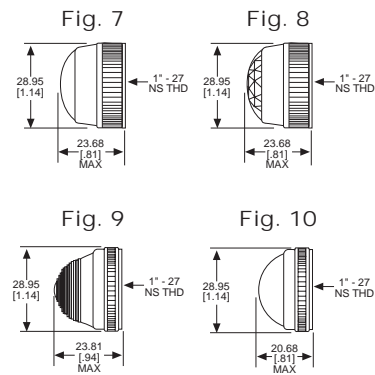
# 051 & 080 SERIES FOR 1" MOUNTING HOLE • WATERTIGHT

BASE PART NO.	VOLTAGE	FIG
080-0901-05-303	6-250	4
080-3101-05-303	6-250	5
080-4001-05-303	6-250	6



Uses:  
S-6  
CANDELABRA  
SCREW BASE  
INCANDESCENT  
LAMP

CAP PART NO.	COLOR	FIG	CAP PART NO.	COLOR	FIG
051-0111-303	RED	7	080-0531-303	RED	9
051-0112-303	GREEN	7	080-0532-303	GREEN	9
051-0113-303	AMBER	7	080-0533-303	AMBER	9
051-0135-303	WHITE	7	080-0535-303	WHITE	9
051-0137-303	CLEAR	7	080-0537-303	CLEAR	9
051-0431-303	RED	8	080-1231-303	RED	10
051-0432-303	GREEN	8	080-1232-303	GREEN	10
051-0433-303	AMBER	8	080-1233-303	AMBER	10
051-0435-303	WHITE	8	080-1235-303	WHITE	10
051-0437-303	CLEAR	8	080-1237-303	CLEAR	10

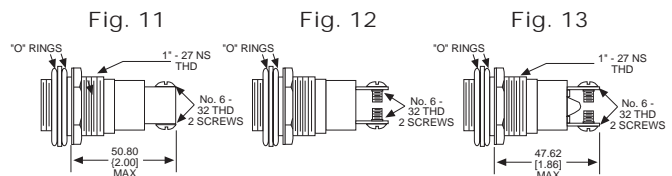


Material & Finish: Base - Chrome Plated Brass, Cap - Polycarbonate with Chrome Plated Brass Bezel

# 103 SERIES FOR 1" MOUNTING HOLE • OILTIGHT\*

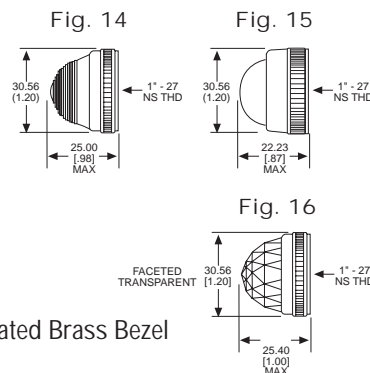
BASE PART NO.	VOLTAGE	FIG
103-0901-05-103	6-250	11
103-3101-05-103	6-250	12
103-3502-05-103†	24-250	13

† Takes S-6 Double Contact Bayonet Base Lamp



Uses:  
S-6  
CANDELABRA  
SCREW BASE  
INCANDESCENT  
LAMP

CAP PART NO.	COLOR	FIG	CAP PART NO.	COLOR	FIG
103-0531-403	RED	14	103-1233-403	AMBER	15
103-0532-403	GREEN	14	103-1235-403	WHITE	15
103-0533-403	AMBER	14	103-1237-403	CLEAR	15
103-0535-403	WHITE	14	103-1331-403	RED	16
103-0537-403	CLEAR	14	103-1332-403	GREEN	16
103-1231-403	RED	15	103-1333-403	AMBER	16
103-1232-403	GREEN	15	103-1335-403	WHITE	16
			103-1337-403	CLEAR	16



Material & Finish: Base - Nickel Plated Brass, Cap - Polycarbonate with Chrome Plated Brass Bezel

Neon and incandescent lamp information on Pages 35 and 36.

\* See Page 14 for Oiltight information

Dimensions in mm [inches]



# Mouser Electronics

Authorized Distributor

Click to View Pricing, Inventory, Delivery & Lifecycle Information:

## Dialight:

[051-0135-303](#) [051-0432-303](#) [103-1211-403](#) [103-1335-403](#) [103-1236-403](#) [103-0533-403](#) [103-0511-403](#) [051-0133-203](#) [051-0131-203](#) [103-1336-403](#) [051-0111-303](#) [051-0132-203](#) [051-0117-203](#) [051-0114-203](#) [103-1235-403](#) [103-1212-403](#) [103-1333-403](#) [103-1233-403](#) [103-1310-05-103](#) [103-0512-403](#) [103-0536-403](#) [103-1232-403](#) [103-1332-403](#) [103-1331-403](#) [103-1231-403](#) [103-0531-403](#) [103-1214-403](#) [103-1237-403](#) [103-1337-403](#) [103-0531-203](#) [103-0513-403](#) [103-1213-403](#) [103-1216-403](#) [051-0112-303](#) [051-0113-303](#) [103-1217-403](#) [051-0431-303](#) [103-1334-403](#) [103-1234-403](#) [031-0232-300](#) [051-0137-303](#) [051-0437-303](#)