

[Molex.com](#)

English
日本語
한국어
简体中文

[Register | Login](#)
[My Parts \(0 items \)](#)

Search site: Search: [Go](#)

- Product Name**
- Cross-Ref**
- Catalog**
- Literature**
- Industries**
- Standards**
- Contact Us**
- About Us**
- Investors**
- Careers**

- [Connectors](#)
- [Sockets](#)
- [I/O Connectors](#)
- [Cable Assemblies](#)
- [Fiber Optics](#)
- [Printed Circuit Products](#)
- [Industrial Products](#)
- [Lighting Products](#)

Switch Language

- [Home](#)
- [Crimp Housings](#)
- [Datasheet](#)

Need Assistance?

- [Contact Us](#)
- [Find a Distributor](#)
- [Order Samples](#)
- [Tech Library](#)
- [Ecocare](#)
- [Electrical Models](#)

[Printer-friendly page](#)

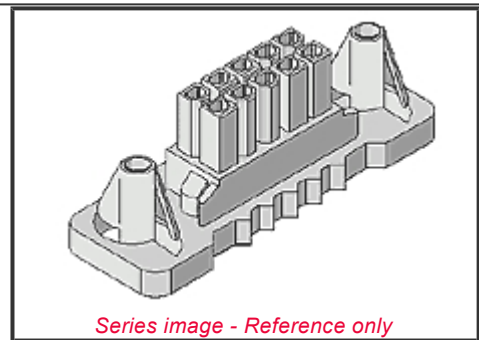
[Email this page](#)

Part Number:
0015060140

Status:
Active

Overview:
Mini-Fit BMI™

Description:
4.20mm (.165") Pitch Mini-Fit BMI™ Receptacle Housing, Dual Row with Panel Mount Ears, PA Polyamide Nylon 6/6, UL 94V-2, 14 Circuits



Documents: *Note - Please disable browser pop-up blockers for documents on www.molex.com*

- [Drawing \(PDF\)](#)
- [Product Specification PS-5556-002 \(PDF\)](#)

3D
Model

EU RoHS
ELV and RoHS
Compliant

China RoHS



REACH SVHC
Contains SVHC: No

Halogen-Free
Status
Halogen-Free

Need more information on product environmental compliance?

Email productcompliance@molex.com

For a multiple part number RoHS Certificate of Compliance, [click here](#)

Please visit the [Contact Us](#) section for any non-product compliance questions.

Search Parts in this Series

[42474](#)Series

Mates With

[42475](#) Mini-Fit BMI™ Plug Housing
[43879](#) MiniFit CPI™ Header
Mini-Fit BMI™ Header [42404](#), [42440](#)
Mini-Fit SMC™ Surface Mount
Compatible Header [43810](#), [44068](#)

Use With

[5556](#) Mini-Fit™ Crimp Terminal

Order Products:

Part Detail: ([show all](#))

[General](#)[Physical](#)[Electrical](#)[Agency Certification](#)[Material Info](#)[Reference - Drawing Numbers](#)

General

Product Family	Crimp Housings
Series	<u>42474</u>
Comments	Current = 13A max. per circuit when header is mated to a receptacle loaded with <u>45750</u> series terminals crimped to 16 AWG wire. See Molex product specification PS-45750-001 for additional current de-rating information.
Overview	<u>Mini-Fit BMI™</u>
Product Name	Mini-Fit BMI™

Physical

Breakaway	No
Circuits (maximum)	14
Color - Resin	Natural
Flammability	94V-2
Gender	Female
Glow-Wire Compliant	No
Lock to Mating Part	None
Material - Resin	Nylon
Number of Rows	2
Packaging Type	Bag
Panel Mount	Yes
Pitch - Mating Interface (in)	0.165 In
Pitch - Mating Interface (mm)	4.20 mm
Polarized to Mating Part	Yes
Stackable	No
Temperature Range - Operating	-40°C to +105°C

Electrical(Please review the Product Specification for specific details.)

Current - Maximum per Contact	13A
-------------------------------	-----

Agency Certification

CSA	LR19980
TUV	R72081037
UL	E29179

Material Info

Old Part Number	42474-1411
-----------------	------------

Reference - Drawing Numbers

Product Specification	PS-5556-002
Sales Drawing	SD-42474-****

- [Feedback](#)
- [Privacy](#)
- [Legal](#)
- [Site Map](#)
- [Help](#)

• [Find us on](#)

•    

Copyright 2005-2010