

PLEASE CHECK WWW.MOLEX.COM FOR LATEST PART INFORMATION

Part Number: [64321-1101](#)
Status: **Active**
Overview: [CMC Sealed, Hybrid, Modular Connectors and Headers](#)
Description: [CMC Wire Cap for 53 Circuits, CMC Receptacle Mat Sealed](#)

Documents:

3D Model	Application Specification AS-64318-002 (PDF)
Drawing (PDF)	Application Specification AS-64318-002-FR (PDF)
Product Specification PS-64321-001 (PDF)	RoHS Certificate of Compliance (PDF)

General

Product Family	Crimp Housings
Series	64321
Application	Power, Wire-to-Board
Comments	For left and right wire output
More Detailed Tech Information	Wire cap guides the wires from the connector either to the right or to the left
Overview	CMC Sealed, Hybrid, Modular Connectors and Headers
Product Name	CMC

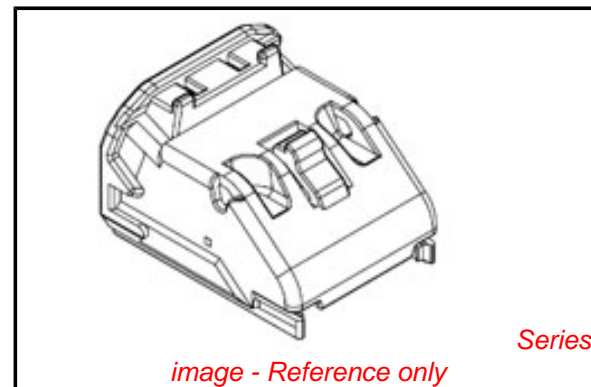
Physical

Circuits (maximum)	53
Circuits Detail	Wire Cap for 53 circuit Receptacle
Color - Resin	Black
Gender	N/A
Glow-Wire Compliant	No
Keying to Mating Part	N/A
Lock to Mating Part	Yes
Material - Resin	Polyester
Number of Rows	0
Packaging Type	Carton
Panel Mount	No
Pitch - Mating Interface	N/A
Pitch - Termination Interface	N/A
Polarized to Mating Part	N/A
Stackable	No
Temperature Range - Operating	-40°C to +125°C

Material Info

Reference - Drawing Numbers

Application Specification	AS-64318-002, AS-64318-002-FR
Product Specification	PS-64321-001
Sales Drawing	SD-64321-001, SD-64321-002



EU RoHS

ELV and RoHS Compliant
REACH SVHC Contains SVHC: No
Low-Halogen Status Low-Halogen

China RoHS



Need more information on product environmental compliance?

Email productcompliance@molex.com
 For a multiple part number RoHS Certificate of Compliance, [click here](#)

Please visit the [Contact Us](#) section for any non-product compliance questions.

Search Parts in this Series

64321Series

Mates With

Please Contact Molex for Details

Use With

CMC Receptacle 53 Circuit [64321](#)