

BZE Series

Metal standard enclosed limit switch



Features

- CE Marked per Low Voltage Directive
- Robust construction
- Side or flange mounting
- Rugged aluminium housing
- Wide choice of actuators
- Choice of housings
- Gang mount capability
- Single or double conduit entry
- SPDT or DPDT circuitry
- Choice of conduit thread
- Replaceable snap action basic switch
- Up to 15A, 480 Vac
- Single or double conduit entry
- Reversible actuator facility

Benefits

- Designed to satisfy European electrical legislation
- Fast and easy to install
- Tough and durable in demanding mechanical applications
- High current capability
- Large enclosure ensures simple wiring

Description

These general purpose limit switches are compact in size with a rugged construction and precise operation making them ideal for many industrial applications. The large wiring enclosure means that the user can get access to wire the device simply. The switch incorporates high repeatability of the switch point early in the travel of the switch. This is achieved through a very tolerant over travel mechanism which ensures that application drift will not affect long term accuracy of the switch.

These switches are used in a wide variety of applications in industry and transportation applications where the overriding specifications are for durability, long term stability and ease of wiring awkward cabling.



BZE Metal standard enclosed switch

Technical data

Mechanical life up to 10 million operations.

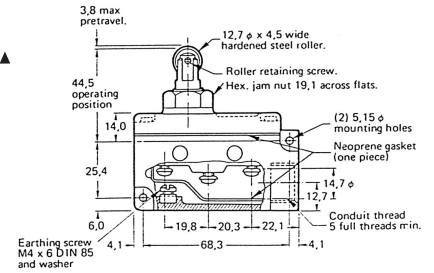
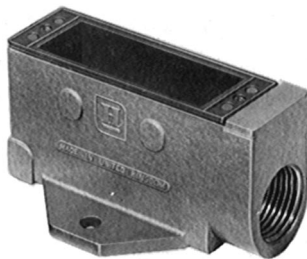
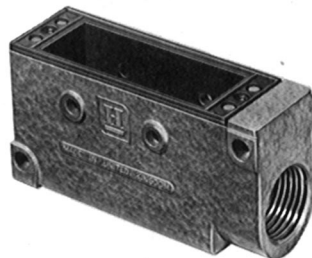
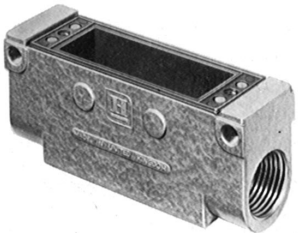
Degree of protection
 Standard type IP50
 Sealed type IP65

Temperature range
 Operating:
 -30°C to +70°C

Approvals
 IEC947-5-1
 EN60947-5-1

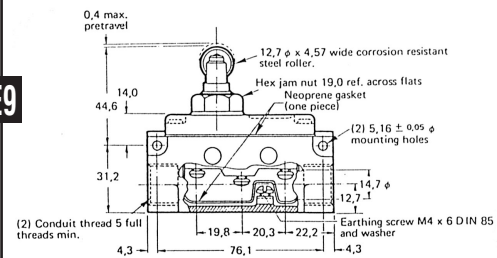
Available in Single (SPDT)
 and Double (DPDT) Versions

Body type

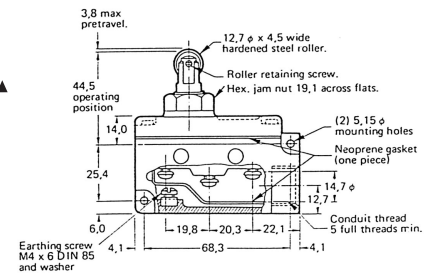


E7

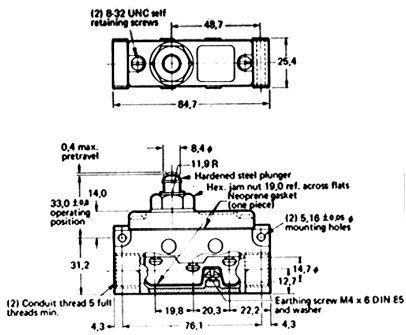
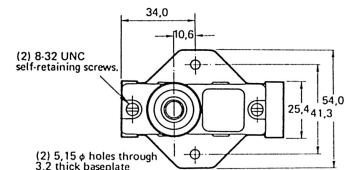
E9



E7S



V7



Ordering :

BZ = SPDT

DT = DPDT

XX

▲ Valid options with DPDT
 All options valid with SPDT

XX

Example : BZE7S - 2RN - C or DTE7-2RN-C

Head style

Basic switch

Conduit thread type



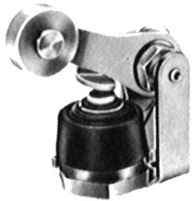
IP65

2RN ▲



IP50

2RQ8



IP65

2RN2 ▲



IP50

2RQ81



IP50

2RQ ▲



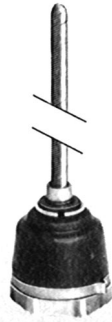
IP50

2RQ8 ▲



IP50

2RQ2



IP65

2RN18

PG 13.5

PG ▲



conduit thread

20 mm

C ▲

Note:
IP65 Head styles derated to IP50 when used in conjunction with body type E7S

XXXXX

X OR **XX**

BZE6 Metal standard enclosed switch, side mount

Technical data

Mechanical life: 10 million

Sealing: IP 50 Standard
IP65 Sealed

Operating temperature: -32 °C to 71°C

Approvals: IEC 60947-5-1
EN60947-5-1
UL
CSA

Switching options:
SPDT

Single Pole, Double Throw
Snap action contacts
(1NC/1NO)



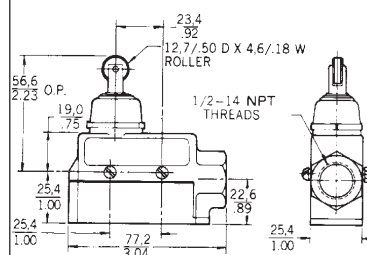
Head Styles

Top pin plunger



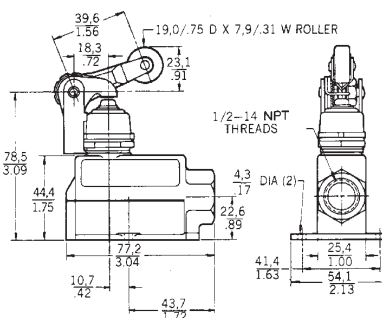
2RQ

Top pin plunger, boot seal



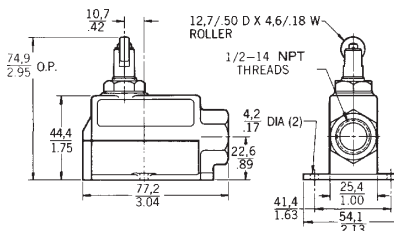
2RN

Top roller lever



2RN2

Top roller plunger



2RQ8

Ordering guide:

BZE6

XXXX

Example: BZE6-2RQ8