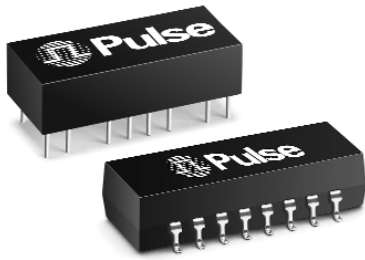


VDSL TRANSFORMERS

For Use with Broadcom® BCM 6010/6020



- Ⓢ Supports speeds up to 25.92 Mbps
- Ⓢ Provides two-wire to four-wire conversion
- Ⓢ Surface mount or through hole package

Electrical Specifications @ 25°C — Operating Temperature 0°C to 70°C

Part Number	Turns Ratio		DCR (MAX)	Return Loss (dB MIN)	Insertion Loss* (dB MAX)	Transhybrid Loss (dB MIN)	Longitudinal Balance (dB MIN)	Isolation Voltage (Vrms)
	Trans.	Rec.						
B4008 (THT)	2:1	1:1	0.5 Ω	138 kHz to 1 MHz: 13.5	138 kHz to 20 MHz: 0.5	138 kHz to 1 MHz: 30	138 kHz to 300 kHz: 60	2000
B4025 (SMT)				1 MHz to 20 MHz: 20		1 MHz to 20 MHz: 25	300 kHz to 1 MHz: 50	
						1 MHz to 20 MHz: 30		

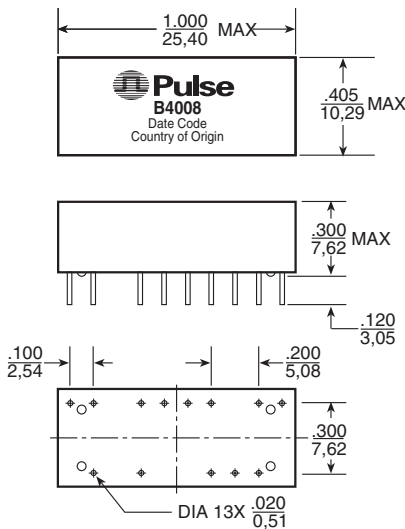
NOTE: Common Mode Chokes to reduce common mode ingress from AM Broadcast or HAM Radios are available. See data sheet B912 for parts B4001 and B4003.

Surge Voltage Capability: Metallic: 800 Vpeak 10/560 µsec. Long.: 2400 Vpeak 10/700 µsec.

Surge over the Extended Temperature Range: Insertion Loss can increase to 1 dB. Return Loss can drop to 7 dB from 138 kHz to 300 kHz, and 12 dB from 300 kHz to 1 MHz.

Mechanicals

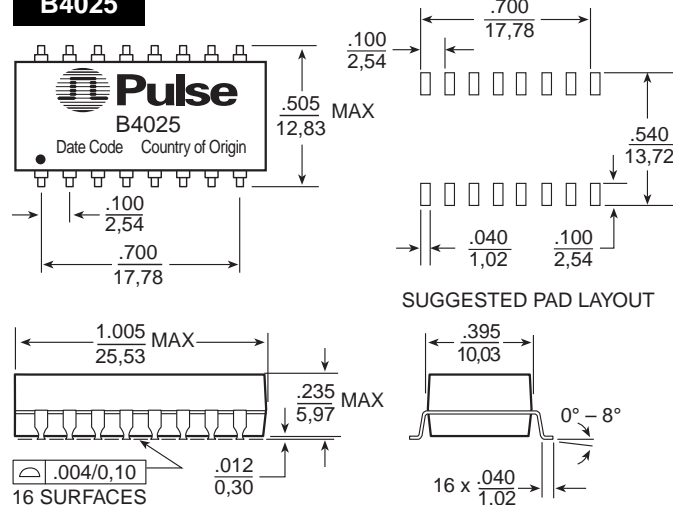
B4008



Weight.....2.8 grams
Tube......20/tube

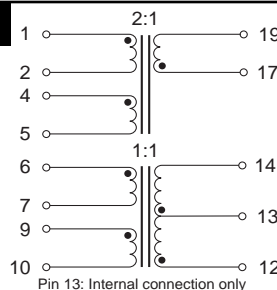
Dimensions: $\frac{\text{Inches}}{\text{mm}}$
Unless otherwise specified, all tolerances are $\pm \frac{.010}{0.25}$

B4025

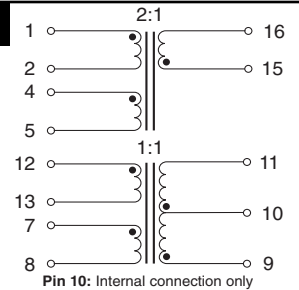


Schematics

B4008



B4025



For More Information :

UNITED STATES (Worldwide)

12220 World Trade Drive
San Diego, CA 92128
U.S.A.
http://www.pulseeng.com
TEL: 858 674 8100
FAX: 858 674 8262

UNITED KINGDOM (Northern Europe)

1 & 2 Huxley Road
The Surrey Research Park
Guildford, Surrey GU2 5RE
United Kingdom
TEL: 44 1483 401700
FAX: 44 1483 401701

FRANCE (Southern Europe)

Zone Industrielle
F-39270
Orgelet
France
TEL: 33 3 84 35 04 04
FAX: 33 3 84 25 46 41

SINGAPORE (Southern Asia)

150 Kampong Ampat
#07-01/02
KA Centre
Singapore 368324
TEL: 65 6287 8998
FAX: 65 6280 0080

TAIWAN, R.O.C. (Northern Asia)

3F-4, No. 81, Sec. 1
HsinTai Wu Road
Hsi-Chih, Taipei Hsien
Taiwan, R.O.C.
Tel: 886 2 2698 0228
FAX: 886 2 2698 0948

HONG KONG (China/Hong Kong)

9/F, Phase 2, Tai Sang
Shatin Warehouse Centre
6 Wong Chuk Yeung Street
Fotan, Shatin, Hong Kong
TEL: 852 2788 6588
FAX: 852 2776 1055

DISTRIBUTOR

Performance warranty of products offered on this data sheet is limited to the parameters specified. Data is subject to change without notice. Other brand and product names mentioned herein may be products and/or registered trademarks of their respective owners.

♻️ Printed on recycled paper. ©2003, Pulse Engineering, Inc.

B925.A (11/03)