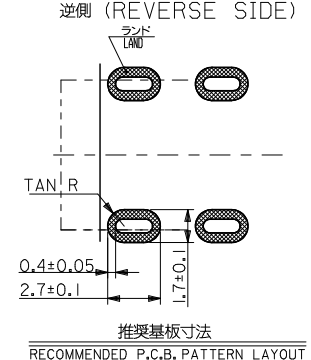
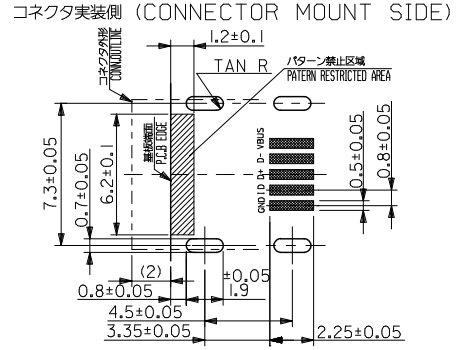
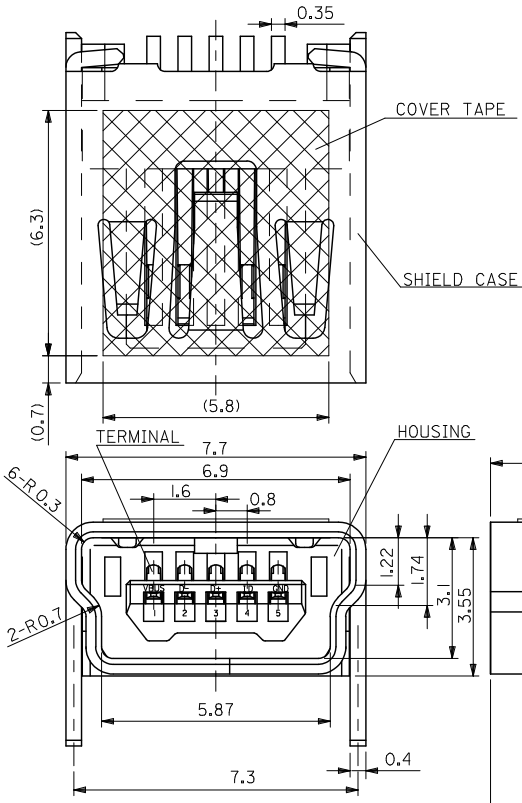


10 9 8 7 6 5 4 3 2 1



注記 1. 材質
NOTES MATERIAL

- ハウジング: ポリアミド, ガラス充填, 黒色, UL94V-0
- HOUSING: PA, GLASS FILLED, BLACK, UL94V-0
- ターミナル: 銅合金 (t=0.2)
- TERMINAL: COPPER ALLOY (t=0.2)
- シールド ケース: 銅合金 (t=0.4)
- SHIELD CASE: COPPER ALLOY (t=0.4)
- カバー テープ: ポリイミド (t=0.08)
- COVER TAPE: POLYIMIDE (t=0.08)

2. メッキ仕様
PLATING

- ターミナル
TERMINAL
- 接点部: 金メッキ 0.75 MICROMETER MIN.
- CONTACT AREA: GOLD 0.75 MICROMETER MIN.
- 半田付け部: 錫メッキ 1.0 MICROMETER MIN.
- SOLDER TAIL AREA: TIN 1.0 MICROMETER MIN.
- 下地部: ニッケルメッキ 1.25 MICROMETER MIN.
- UNDER PLATING: NICKEL 1.25 MICROMETER MIN.
- シールド ケース
SHIELD CASE
- 錫メッキ 1.0 MICROMETER MIN.
- TIN 1.0 MICROMETER MIN.
- 下地部: ニッケルメッキ 1 MICROMETER MIN.
- UNDER PLATING: NICKEL 1 MICROMETER MIN.

3. テールの平坦度は 0.1mm MAX.
TAIL COPLANARITY 0.1mm MAX.

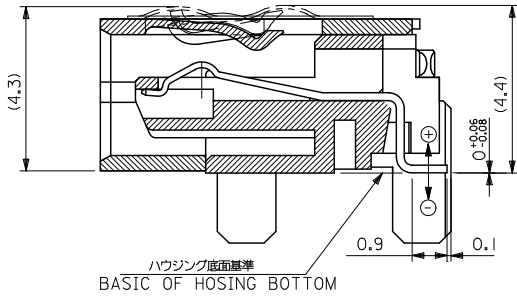
4. 本製品は 54819-0581 の鉛フリー品である。

54819-0589	54819-0582
EMBOSSED TAPE	MATERIAL No.
ORDER No.	

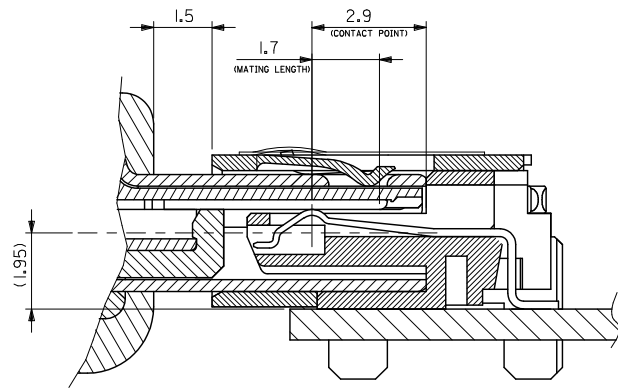
THIS PRODUCT IS LEAD FREE OF 54819-0581. MODEL No.54819-**82

REVISED EC NO: J2009-4533 DRWNSATO CHYKOHMATSUNO APPR: NIKITA 2009/06/25 2009/06/25 2009/06/25	GENERAL TOLERANCES (UNLESS SPECIFIED)		DIMENSION STYLE MM ONLY	SCALE 10:1	DESIGN UNITS METRIC	THIRD ANGLE PROJECTION
	10 UNDER	±0.2	DRAWN BY M.NABEI	DATE '04/10/21	TITLE USB SERIES MINI-B (DIP2) RECEPTACLE ASS'Y -LEAD FREE-	
	10 OVER 30 UNDER	±0.25	CHECKED BY K.TOJO	DATE '04/10/21	MOLEX INCORPORATED	
	30 OVER	±0.3	APPROVED BY N.UKITA	DATE '04/10/21	DOCUMENT NO. SD-54819-030	SHEET NO. 1 OF 2
REV	DESCRIPTION	ANGULAR ±3°	MATERIAL NO. SEE TABLE	THIS DRAWING CONTAINS INFORMATION THAT IS PROPRIETARY TO MOLEX INCORPORATED AND SHOULD NOT BE USED WITHOUT WRITTEN PERMISSION		
DRAFT WHERE APPLICABLE MUST REMAIN WITHIN DIMENSIONS						

10 9 8 7 6 5 4 3 2 1



SECTION



MATING

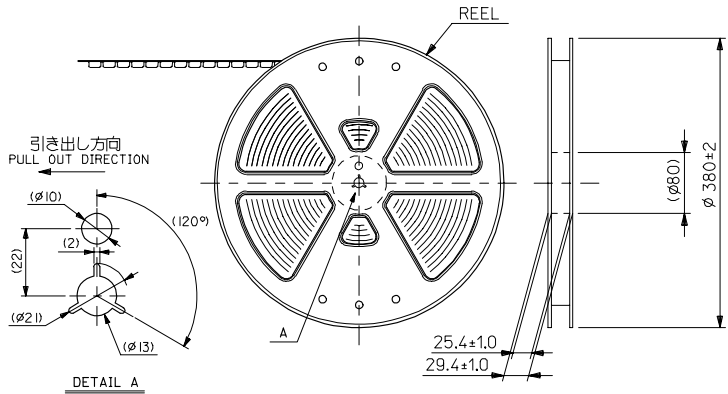
MODEL No.54819-**82

REVISED EC NO: J2009-4533 DRAWN BY DRWNSATO 2009/06/25 CHKD:HATSUNO 2009/06/25 APPR:NIKITA 2009/06/25	GENERAL TOLERANCES (UNLESS SPECIFIED)		DIMENSION STYLE MM ONLY	SCALE 10:1	DESIGN UNITS METRIC	THIRD ANGLE PROJECTION
	10 UNDER	±0.2	DRAWN BY M.NABEI	DATE '04/10/21	TITLE USB SERIES MINI-B (DIP2) RECEPTACLE ASS'Y -LEAD FREE-	
	10 OVER 30 UNDER	±0.25	CHECKED BY K.TOJO	DATE '04/10/21	MOLEX INCORPORATED	
	30 OVER	±0.3	APPROVED BY N.UKITA	DATE '04/10/21	MATERIAL NO. SEE SHEET1	DOCUMENT NO. SD-54819-030
A	ANGULAR ±3 ° DRAFT WHERE APPLICABLE MUST REMAIN WITHIN DIMENSIONS		THIS DRAWING CONTAINS INFORMATION THAT IS PROPRIETARY TO MOLEX INCORPORATED AND SHOULD NOT BE USED WITHOUT WRITTEN PERMISSION			

tb_frame_A3_J_ME_S
Rev. E 2006/04/15

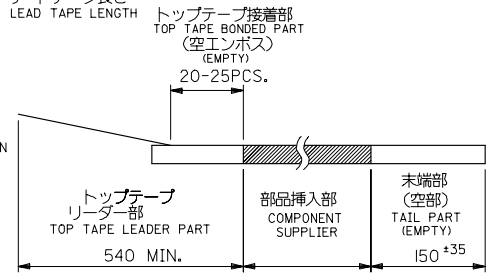
9 8 7 6 5 4 3 2 1 EN-02JA(021)

10 9 8 7 6 5 4 3 2 1

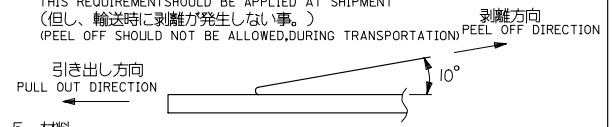


NOTES

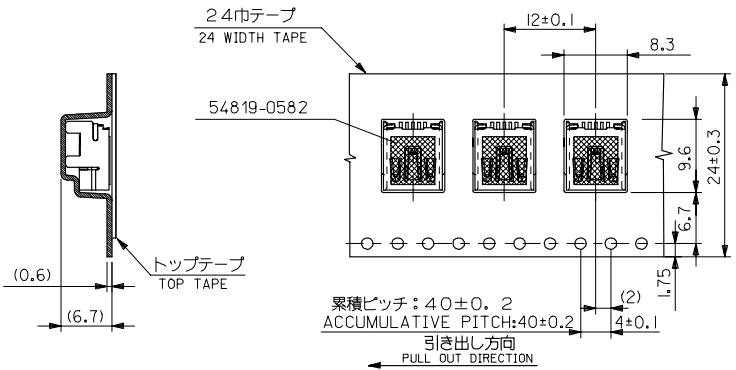
- 54819-0582 の詳細は SD-54819-030 参照
IN THE PACKAGE PART NO.54819-0582 DETAILED, SEE SD-54819-030.
- 梱包数量: 900 個/リール
NUMBER OF CONNECTORS:900 PCS/REEL
- リードテープ長さ
LEAD TAPE LENGTH



- トップテープの剥離強度: 0.1-1.3N (10-130gf)
(剥離方向は下図参照) キャリアテープ幅: 24mm
PEEL-OFF FORCE OF TOP TAPE: 0.1-1.3N (10-130gf)
(PEELING DIRECTION AS SHOWN IN FOLLOWING FIG.)
CARRIER TAPE WIDTH
尚、本規格値は、出荷時に適用
THIS REQUIREMENTS SHOULD BE APPLIED AT SHIPMENT
(但し、輸送時に剥離が発生しない事。)
(PEEL OFF SHOULD NOT BE ALLOWED, DURING TRANSPORTATION)



- 材料
MATERIAL
キャリアテープ: ポリプロピレン
CARRIER TAPE: POLYPROPYLENE
トップテープ: ポリエステル, ポリエチレン
TOP TAPE: POLYESTER, POLYETHYLENE
リール: ポリスチレン
REEL: POLYSTYRENE
- 本製品は 54819-0588 の鉛フリー品である。
THIS PRODUCT IS LEAD FREE OF 54819-0588.



エンボステープ内の製品の向き
DIRECTION OF CONNECTOR IN EMBOSSED TAPE

RELEASED IEC NO. J2005-1196 DRAWN BY: MNABE I CHKD BY: KTOJO APPR: NUKITA 2004/10/26 2004/10/26 2004/10/28	GENERAL TOLERANCES (UNLESS SPECIFIED)		DIMENSION STYLE MM ONLY		SCALE 2:1	DESIGN UNITS METRIC	THIRD ANGLE PROJECTION
	10 UNDER	±0.2	DRAWN BY MNABE I	DATE '04/10/21	USB SERIES MINI-B (DIP2) REC. HS'G EMBOSSED ASS'Y -LEAD FREE- Molex MOLEX INCORPORATED		
	10 OVER 30 UNDER	±0.25	CHECKED BY KTOJO	DATE '04/10/21			
	30 OVER	±0.3	APPROVED BY NUKITA	DATE '04/10/21			
ANGULAR	±3 °	MATERIAL NO. 54819-0589					
0	DRAFT WHERE APPLICABLE MUST REMAIN WITHIN DIMENSIONS		SIZE A3	DOCUMENT NO. SD-54819-031		SHEET NO. 1 OF 1	